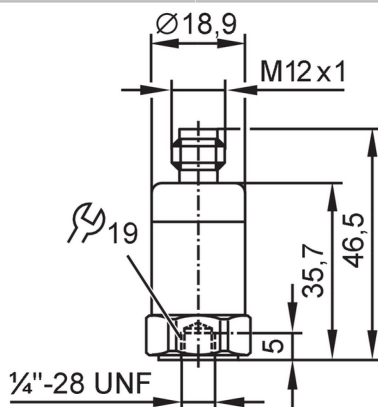


VSP001



Acceleration sensor

VIBRATION SENSOR



Product characteristics

Measuring range of vibration [g]	-80...80; (-50...50 g when connected to a VSE)
Frequency range [Hz]	2...10000
Measuring principle	piezoelectric
Communication interface	IEPE

Application

Design	for connection to external diagnostic electronics VSE
--------	---

Electrical data

Bias voltage DC [V]	10...12
Current consumption [mA]	0.5...8
Min. insulation resistance [MΩ]	100; (500 V DC)
Reverse polarity protection	yes

Measuring/setting range

Measuring range of vibration [g]	-80...80; (-50...50 g when connected to a VSE)
Frequency range [Hz]	2...10000
Measuring principle	piezoelectric
Noise density [mg]	0.1
Max. transverse sensitivity [%]	5
Minimum measuring time [s]	2
Number of measurement axes	1

Accuracy / deviations

Accuracy	± 5 %
Measuring sensitivity	100 mV/g

Interfaces

Communication interface	IEPE
-------------------------	------

Operating conditions


Ambient temperature [°C]	-55...125
Storage temperature [°C]	-55...125
Protection	IP 67

VSP001



Acceleration sensor

VIBRATION SENSOR

Tests / approvals		
EMC	EN 61326-1	: 2013
Shock resistance		5000 g
MTTF [years]		1142
Mechanical data		
Weight [g]		73.5
Type of mounting		set screw
Materials		housing: stainless steel
Tightening torque [Nm]		8
Accessories		
Items supplied		set screws
Remarks		
Pack quantity		1 pcs.
Electrical connection		
Connector: 1 x M12; coding: A; Maximum cable length: 1000 m		
		
1	not used	
2	IEPE +	
3	not used	
4	IEPE -	