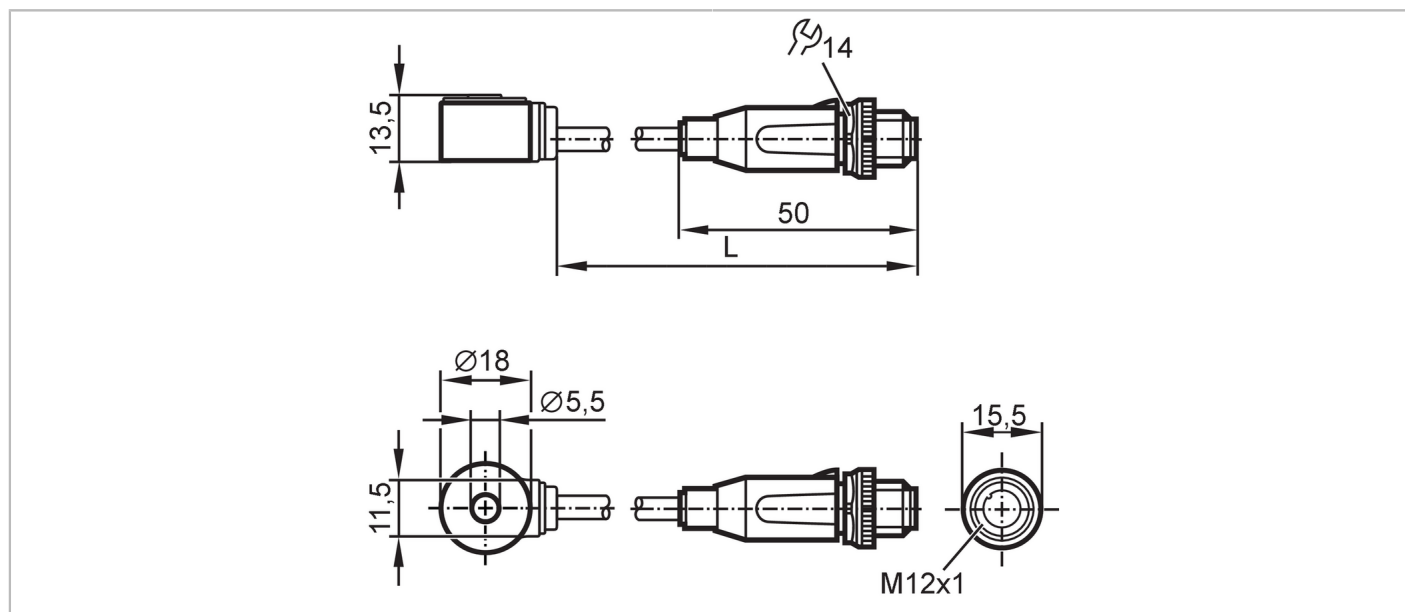


# VSA008



## Acceleration sensor

VIBRATION SENSOR




Product characteristics		
Measuring range of vibration	[g]	-25...25
Frequency range	[Hz]	1...10000
Measuring principle		capacitive
Application		
Special feature		Screened cable; Drag chain suitability
Design		for connection to external diagnostic electronics VSE
Application		vibration detection
Electrical data		
Operating voltage	[V]	7.2...10.8 DC
Current consumption	[mA]	< 15
Min. insulation resistance	[MΩ]	100; (500 V DC)
Protection class		III
Reverse polarity protection		yes
Sensor type		microelectromechanical system (MEMS)
Outputs		
Analogue current output	[mA]	0...10
Max. load	[Ω]	300
Measuring/setting range		
Measuring range of vibration	[g]	-25...25
Frequency range	[Hz]	1...10000
Measuring principle		capacitive
Sensitivity	[μA/g]	142
Number of measurement axes		1

# VSA008



## Acceleration sensor

VIBRATION SENSOR

Accuracy / deviations		
Linearity deviation	0,2 %	
Operating conditions		
Ambient temperature [°C]	-30...80	
Storage temperature [°C]	-20...80	
Max. relative air humidity [%]	80; (40 °C: 50 % non condensing)	
Protection	IP 67	
Tests / approvals		
EMC	EN 61000-6-2	
	EN 61000-6-3	
Shock resistance	DIN EN 60068-2-27	50 g 11 ms
Vibration resistance	DIN EN 60068-2-6	20 g / 10 ... 2000 Hz
UL approval	Ta	75 °C
	Enclosure type	Type 1
	voltage supply	Limited Voltage/Current
	File number UL	E251902
Mechanical data		
Weight [g]	64.2	
Type of mounting	mounting screw	
Materials	housing: stainless steel (316L/1.4404)	
Tightening torque [Nm]	5	
Mechanische Überlastfestigkeit [g]	500	
Drag chain suitability	yes	
Drag chain suitability	bending radius for fixed installation	: min. 4 x cable diameter
	bending radius for flexible use	: min. 15 x cable diameter
Accessories		
Items supplied	head cap screw: 1 x (M5 x 20 mm), Torx 15	
Remarks		
Pack quantity	1 pcs.	
Electrical connection - plug		
Cable: 0.5 m, PUR, shielded; Maximum cable length: 250 m; 4 x 0.14 mm <sup>2</sup>		
Connector: M12; coding: A; Contacts: 4		
		
blue	GND	
black	test	
brown	L+	
white	Out	