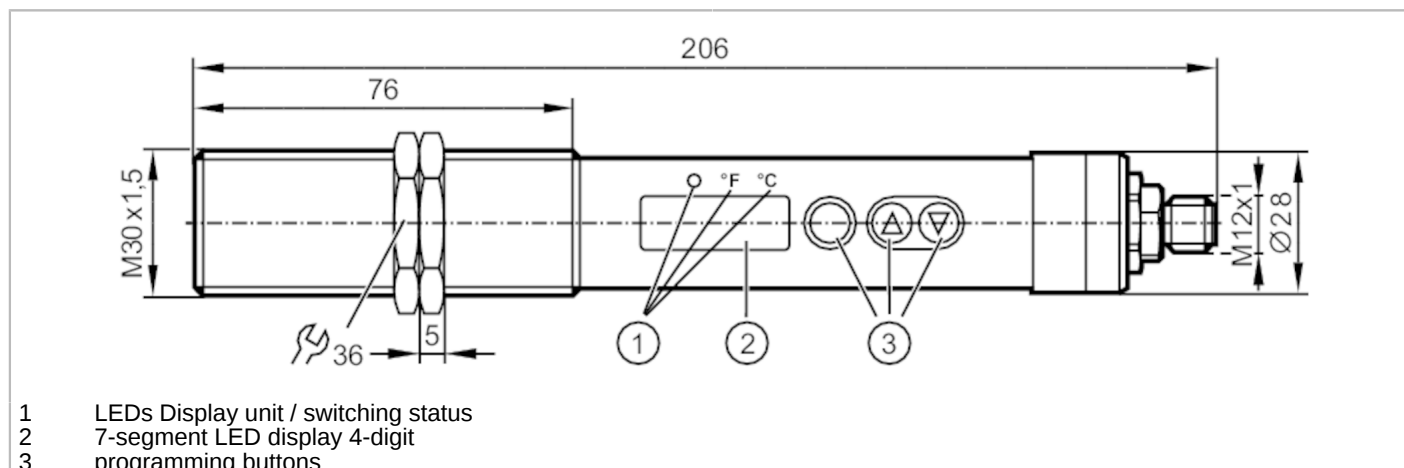


TW2100



Infrared temperature sensor

TW-029KLBM30-KFDKG/US



Product characteristics	
Number of inputs and outputs	Number of digital outputs: 1; Number of analogue outputs: 1
Measuring range	0...999.5 °C 32...1831 °F
Communication interface	IO-Link

Application	
Application	asphalt; coated metal; liquids; glass; rubber; wood; ceramics; plastics; lacquers; food products; paper; fabric

Electrical data	
Operating voltage [V]	18...32 DC; (to SELV/PELV)
Current consumption [mA]	< 50
Min. insulation resistance [MΩ]	100; (50 V DC)
Protection class	III
Reverse polarity protection	yes
Power-on delay time [s]	< 1

Inputs / outputs	
Number of inputs and outputs	Number of digital outputs: 1; Number of analogue outputs: 1

Inputs	
Test input	type 3 (IEC 61131-2)

Outputs	
Total number of outputs	2
Output signal	switching signal; analogue signal; IO-Link; (configurable)
Electrical design	PNP
Number of digital outputs	1
Output function	normally open / normally closed; (parameterisable)
Max. voltage drop switching output DC [V]	2.5
Permanent current rating of switching output DC [mA]	150
Number of analogue outputs	1
Analogue current output [mA]	4...20

TW2100



Infrared temperature sensor

TW-029KLBM30-KFDKG/US

Max. load	[Ω]	500
Short-circuit protection		yes
Type of short-circuit protection		pulsed
Short-circuit proof		yes
Overload protection		yes
Detection zone		
Wave length range	[μm]	8...14
Measuring/setting range		
Measuring range	0...999.5 °C	32...1831 °F
Set point SP	1...999.5 °C	34...1831 °F
Reset point rP	0...998.5 °C	32...1829 °F
Analogue start point	0...949.5 °C	32...1741.1 °F
Analogue end point	50...999.5 °C	122...1831 °F
In steps of	0.5 °C	1 °F
Resolution		
Resolution of switching output	[K]	0.5
Resolution of analogue output	[K]	0.2; (+ 0.03% of the set measuring span)
Resolution of display	[K]	0.5
Accuracy / deviations		
Accuracy	[K]	< ± 1 %; (of measured value, min. 2 K (degree of emission = 1, T = 23 °C))
Repeatability	[K]	1
Response times		
Response time	[ms]	100
Software / programming		
Adjustment of the switch point		programming buttons
Parameter setting options		analogue range; normally open / normally closed; switch-on/switch-off delay; Damping; Peakhold; emissivity; simulation function
Interfaces		
Communication interface		IO-Link
Transmission type		COM2 (38,4 kBaud)
IO-Link revision		1.1
SDCI standard		IEC 61131-9
Profiles	Smart Sensor - SSP 0	Generic Profiled Sensor
	Function	Device identification
	Function	Process data variable
	Function	Device diagnosis
SIO mode		yes
Required master port type		A
Process data analogue		16
Process data binary		1
Min. process cycle time	[ms]	3.6

TW2100



Infrared temperature sensor

TW-029KLBM30-KFDKG/US

Supported DeviceIDs	Type of operation	DeviceID
	default	716
Operating conditions		
Ambient temperature [°C]		0...65
Storage temperature [°C]		-20...80
Max. relative air humidity [%]		95; (non condensing)
Protection		IP 65
Tests / approvals		
EMC	DIN EN 61000-6-2 DIN EN 61000-6-4	
Shock resistance	DIN EN 60068-2-27	30 g (11 ms)
Vibration resistance	DIN EN 60068-2-6	5 g (10...2000 Hz)
MTTF [years]		84
Mechanical data		
Weight [g]		445
Housing		threaded type
Dimensions [mm]		M30 x 1.5 / L = 206
Thread designation		M30 x 1.5
Materials		threaded sleeve: stainless steel (303/1.4305); operator interface: polyester
Lens material		front pane:Infrared transparent crystal lens with anti-reflex coating
Displays / operating elements		
Display	Display unit	2 x LED, yellow
	switching status	1 x LED, yellow
	function display	7-segment LED display, 4-digit
	measured values	7-segment LED display, 4-digit
	setting aid	LED pilot light, green
Operating elements	3	pushbuttons
Accessories		
Items supplied		lock nuts: 2
Remarks		
Remarks		Use a screened cable to protect infrared temperature sensors from interference. The screen must be connected to the housing of the sensor via the connector.
Pack quantity		1 pcs.

TW2100

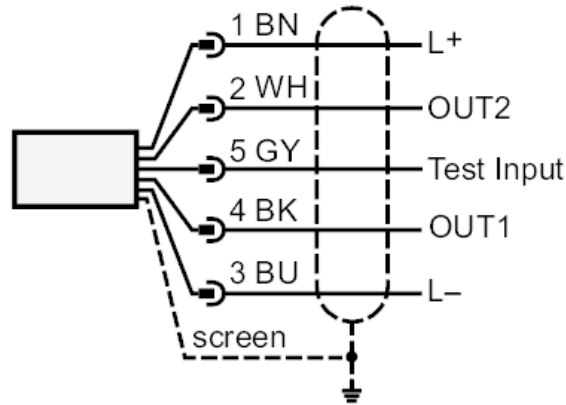


Infrared temperature sensor

TW-029KLBM30-KFDKG/US

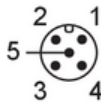
Electrical connection

Connection

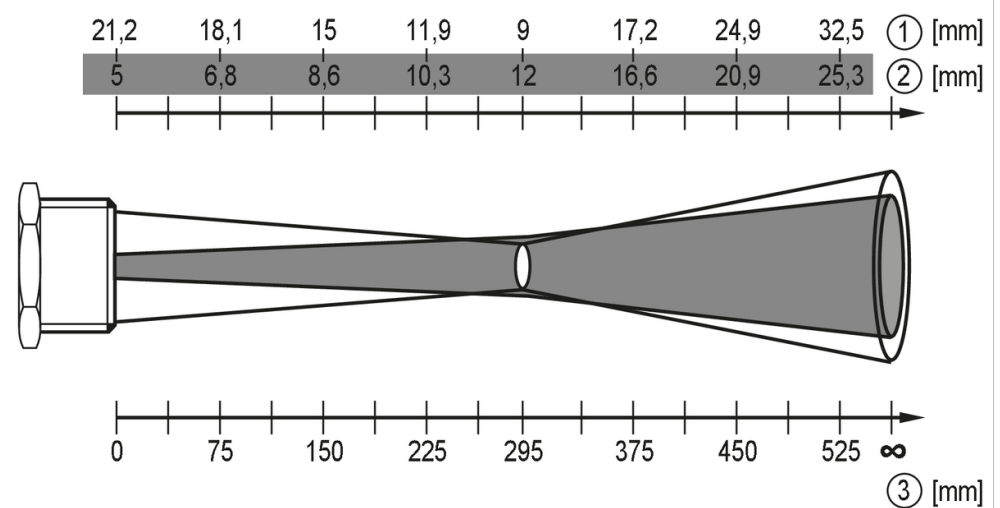


OUT1: switching output / IO-Link
 OUT2: analogue output
 Core colours :
 BK = black
 BN = brown
 BU = blue
 GY = grey
 WH = white

Connector: 1 x M12; coding: A



Diagrams and graphs



- 1 diameter of the measured spot
- 2 diameter LED pilot light
- 3 measuring distance