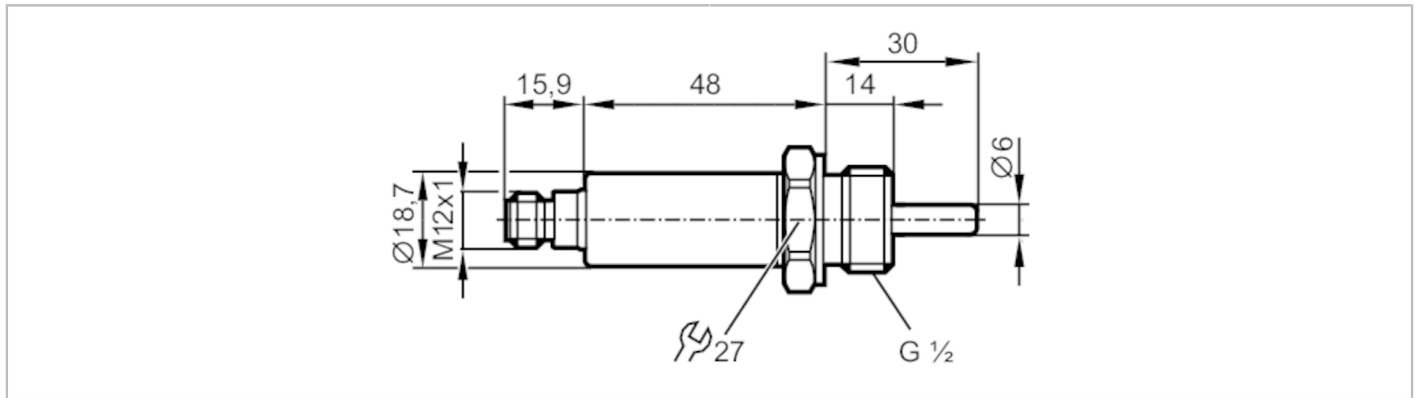


TV7405



Temperature sensor with IO-Link

TV7-030CLER12-QFRVG/US



Product characteristics

Number of inputs and outputs	Number of digital outputs: 2
Measuring range [°C]	-50...150
Communication interface	IO-Link
Process connection	threaded connection G 1/2 external thread
Installation length EL [mm]	30

Application

Special feature	Gold-plated contacts
Measuring element	1 x Pt 1000; (to DIN EN 60751, class A)
Media	liquids and gases
Pressure rating	300 bar 30 MPa
Note on pressure rating	sensor
When mounted in adapters the specifications of the adapter data sheet apply.	

Electrical data

Operating voltage [V]	18...32 DC; ("supply class 2" to cULus)
Current consumption [mA]	< 50
Protection class	III
Reverse polarity protection	yes
Power-on delay time [s]	1
Integrated watchdog	yes

Inputs / outputs

Number of inputs and outputs	Number of digital outputs: 2
------------------------------	------------------------------

Outputs

Total number of outputs	2
Output signal	switching signal; IO-Link; (configurable)
Electrical design	PNP/NPN
Number of digital outputs	2
Output function	normally open / normally closed; (parameterisable)
Max. voltage drop switching output DC [V]	2.5
Permanent current rating of switching output DC [mA]	100

TV7405



Temperature sensor with IO-Link

TV7-030CLER12-QFRVG/US

Measuring/setting range		
Probe length L	[mm]	16
Measuring range	[°C]	-50...150
Set point SP	[°C]	-49.8...150
Reset point rP	[°C]	-50...149.8
In steps of	[°C]	0.1
Resolution		
Resolution of switching output	[K]	0.1
Accuracy / deviations		
Switch point accuracy	[K]	± 0,3
Temperature drift per 10 K	[K]	0.1 **)
Response times		
Dynamic response T05 / T09	[s]	1 / 3; (to DIN EN 60751)
Software / programming		
Parameter setting options	hysteresis / window; normally open / normally closed; switching logic; switch-on/switch-off delay; Damping; Display unit	
Interfaces		
Communication interface	IO-Link	
Transmission type	COM2 (38,4 kBaud)	
IO-Link revision	1.1	
Operating conditions		
Ambient temperature	[°C]	-40...80
Note on ambient temperature	at medium temperature: < 125 °C -40...50 °C at medium temperature: < 150 °C	
Storage temperature	[°C]	-40...100
Protection	IP 69K	
Tests / approvals		
EMC	DIN EN 61000-6-2 DIN EN 61000-6-3	
Shock resistance	DIN IEC 68-2-27	50 g (11 ms)
Vibration resistance	DIN EN 60068-2-6	20 g (10...2000 Hz)
MTTF	[years]	542.6
UL approval	UL Approval no.	K019
Mechanical data		
Weight	[g]	110
Housing	cylindrical	
Dimensions	[mm]	Ø 18.7 / L = 93.9
Materials	stainless steel (316L/1.4404); FKM	
Materials (wetted parts)	stainless steel (316L/1.4404); O-ring: FKM	
Tightening torque	[Nm]	45
Process connection	threaded connection G 1/2 external thread	
Probe diameter	[mm]	6

TV7405



Temperature sensor with IO-Link

TV7-030CLER12-QFRVG/JS

Installation length EL [mm] 30

Remarks

Remarks The values for accuracy apply to flowing water.

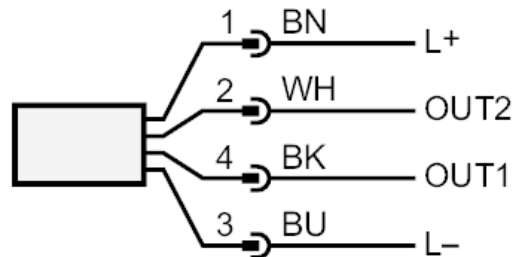
Pack quantity 1 pcs.

Electrical connection

Connector: 1 x M12; coding: A; Contacts: gold-plated



Connection



OUT1: switching output / IO-Link
OUT2: switching output
colours to DIN EN 60947-5-2
Core colours :

BK = black
BN = brown
BU = blue
WH = white