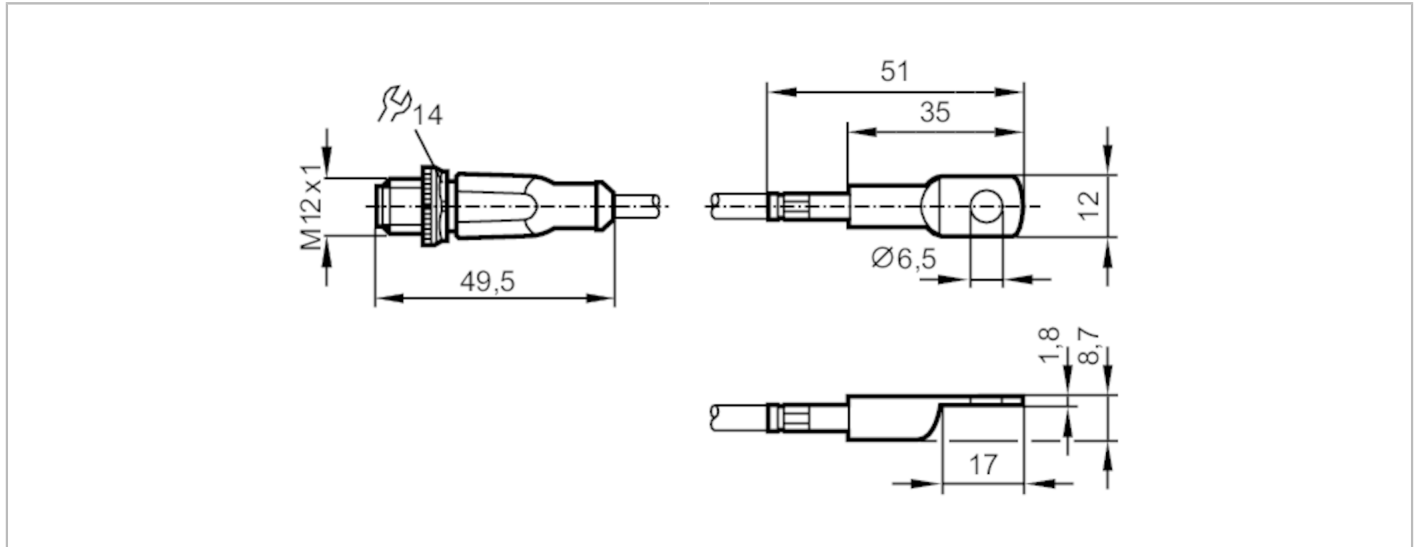


TS2229



Temperature cable sensor with bolt-on sensor

TS-PT100 CONTACT SENSOR



DNV·GL
dnvgl.com/af

Product characteristics		
Measuring range		-40...90 °C -40...194 °F
Process connection		bolt-on sensor 12 x 8,7 x 51 mm
Application		
Special feature		Gold-plated contacts
Measuring element		1 x Pt 100; (to DIN EN 60751, class A)
Installation		surface mount RTD for solid bodies
Electrical data		
Insulation rating	[V]	2500; (insulation between sensor housing and internal structure of the sensor)
Protection class		III
Measuring/setting range		
Measuring range		-40...90 °C -40...194 °F
Accuracy / deviations		
Accuracy	[K]	± (0,15 K + 0,002 x t)
Response times		
Dynamic response T05 / T09	[s]	9 / 15; (values for a flat aluminium surface (anodised) using a conductive heat paste; reference values for moving water : 10 / 24 (< 0,1 m/s))
Operating conditions		
Protection		IP 67
Tests / approvals		
MTTF	[years]	22831
Mechanical data		
Weight	[g]	88.5
Housing		bolt-on sensor
Materials		stainless steel (1.4303 / 305 / 308); copper nickel-plated
Process connection		bolt-on sensor 12 x 8,7 x 51 mm

TS2229



Temperature cable sensor with bolt-on sensor

TS-PT100 CONTACT SENSOR

Remarks

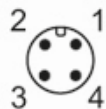
Pack quantity

1 pcs.

Electrical connection

Cable: 2 m, PUR, \varnothing 4.9 mm; 4 x 0.34 mm² (42 x \varnothing 0.1 mm)

Connector: 1 x M12; Contacts: gold-plated



Connection

