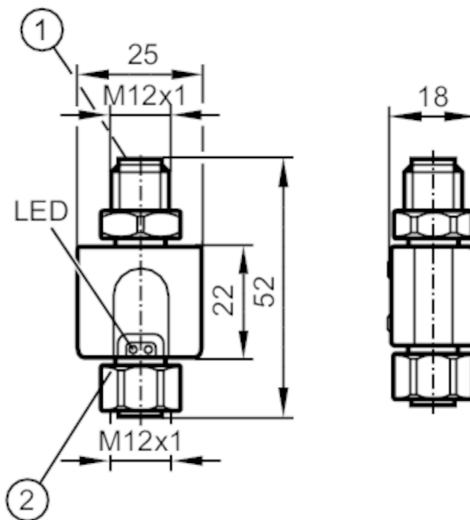


TP9237



Evaluation unit for PT100/Pt1000 temperature sensors

TP- CEC -B-DVG/US/



- 1 connection for voltage supply and output signals
2 connection for temperature sensor



Product characteristics

Number of inputs and outputs	Number of analogue outputs: 1	
Measuring range	-50...300 °C	-58...572 °F
Communication interface	IO-Link	

Application

Special feature	Gold-plated contacts	
Application	for Pt100 and Pt1000 measuring elements	

Electrical data

Operating voltage	[V]	18...32 DC
Protection class		III
Reverse polarity protection		yes
Power-on delay time	[s]	1
Integrated watchdog		yes

Inputs / outputs

Number of inputs and outputs	Number of analogue outputs: 1
------------------------------	-------------------------------

Outputs

Total number of outputs	1	
Output signal	analogue signal; IO-Link; (configurable)	
Number of analogue outputs	1	
Analogue voltage output	[V]	0...10
Min. load resistance	[Ω]	2000
Short-circuit protection	yes	
Type of short-circuit protection	pulsed	
Overload protection	yes	

Measuring/setting range


Measuring range	-50...300 °C	-58...572 °F
-----------------	--------------	--------------

TP9237



Evaluation unit for PT100/PT1000 temperature sensors

TP- CEC -B-DVG/US/

Factory setting	0...100 °C	
Accuracy / deviations		
Precision analogue output [K]	± 0,3 + (± 0,1 % MS)	
Temperature coefficient [% of the span / 10 K]	0,1	
Response times		
Max. measuring/display cycle [ms]	100	
Interfaces		
Communication interface	IO-Link	
Transmission type	COM2 (38,4 kBaud)	
IO-Link revision	1.1	
Min. process cycle time [ms]	2.4	
Supported DeviceIDs	Type of operation	DeviceID
	default	291
Operating conditions		
Ambient temperature [°C]	-25...70	
Storage temperature [°C]	-40...85	
Protection	IP 67	
Tests / approvals		
EMC	EN 61326-1	
Shock resistance	DIN IEC 68-2-27	50 g (11 ms)
Vibration resistance	DIN IEC 68-2-6	20 g (10...2000 Hz)
MTTF [years]	505.11	
Mechanical data		
Weight [g]	40	
Housing	rectangular	
Dimensions [mm]	52 x 25 x 18	
Materials	PA; PET	
Sealing material	FKM	
Remarks		
Remarks	operating voltage "supply class 2" according to cULus MS = set measuring span	
Pack quantity	1 pcs.	
Electrical connection		
Connector: 1 x M12; coding: A; Moulded body: TPU; Locking: stainless steel (316L/1.4404); Sealing: FKM; Contacts: gold-plated		
		

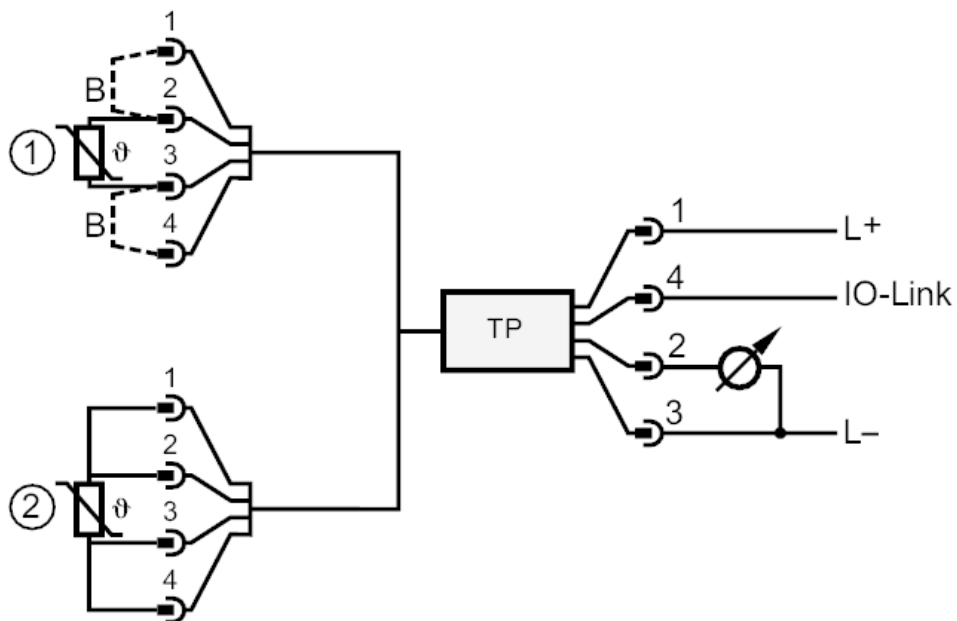
TP9237



Evaluation unit for PT100/PT1000 temperature sensors

TP- CEC -B-DVG/US/

Connection



- 1: two-wire sensor
- 2: four-wire sensor
- B: link