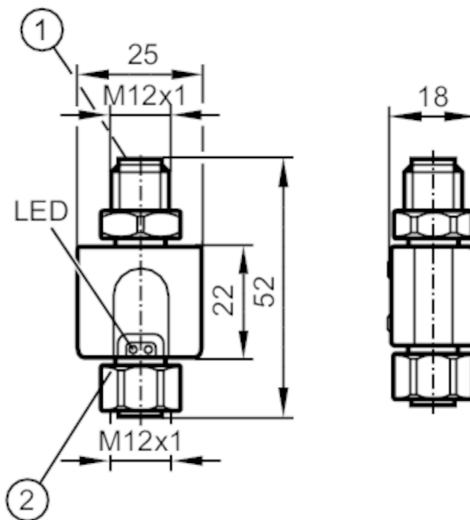




Evaluation unit for PT100/PT1000 temperature sensors

TP- CEC -A-ZVG/US/



- 1 connection for voltage supply and output signals
2 connection for temperature sensor



Product characteristics

| | | |
|------------------------------|-------------------------------|--------------|
| Number of inputs and outputs | Number of analogue outputs: 1 | |
| Measuring range | -50...300 °C | -58...572 °F |
| Communication interface | IO-Link | |

Application

| | | |
|-----------------|---|--|
| Special feature | Gold-plated contacts | |
| Application | for Pt100 and Pt1000 measuring elements | |

Electrical data

| | | |
|-----------------------------|-----|------------|
| Operating voltage | [V] | 20...32 DC |
| Protection class | | III |
| Reverse polarity protection | | yes |
| Power-on delay time | [s] | 1 |
| Integrated watchdog | | yes |

Inputs / outputs

| | | |
|------------------------------|-------------------------------|--|
| Number of inputs and outputs | Number of analogue outputs: 1 | |
|------------------------------|-------------------------------|--|

Outputs

| | | |
|----------------------------------|--|--------|
| Total number of outputs | 1 | |
| Output signal | analogue signal; IO-Link; (configurable) | |
| Number of analogue outputs | 1 | |
| Analogue current output | [mA] | 4...20 |
| Max. load | [Ω] | 300 |
| Short-circuit protection | yes | |
| Type of short-circuit protection | pulsed | |
| Overload protection | yes | |

Measuring/setting range


| | | |
|-----------------|--------------|--------------|
| Measuring range | -50...300 °C | -58...572 °F |
|-----------------|--------------|--------------|

TP3231

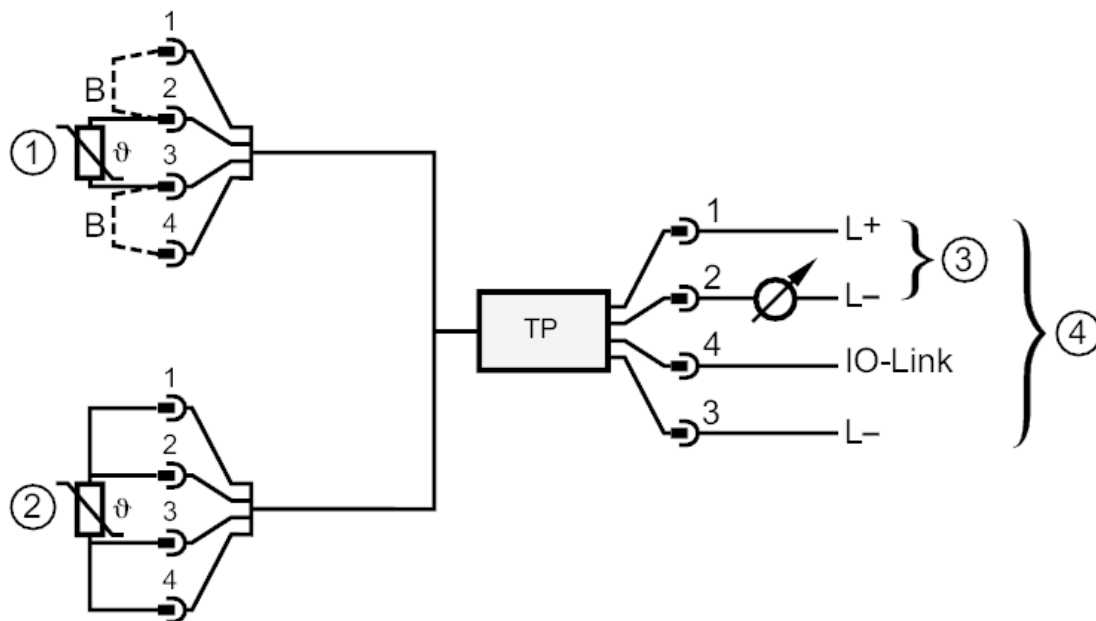


Evaluation unit for PT100/PT1000 temperature sensors

TP- CEC -A-ZVG/US/

| | | |
|--|--|---------------------|
| Factory setting | -50...150 °C | |
| Accuracy / deviations | | |
| Precision analogue output [K] | ± 0,3 + (± 0,1 % MS) | |
| Temperature coefficient [% of the span / 10 K] | 0,1 | |
| Response times | | |
| Max. measuring/display cycle [ms] | 100 | |
| Interfaces | | |
| Communication interface | IO-Link | |
| Transmission type | COM2 (38,4 kBaud) | |
| IO-Link revision | 1.0 | |
| Min. process cycle time [ms] | 2.3 | |
| Supported DeviceIDs | Type of operation | DeviceID |
| | default | 140 |
| Operating conditions | | |
| Ambient temperature [°C] | -25...70 | |
| Storage temperature [°C] | -40...85 | |
| Protection | IP 67 | |
| Tests / approvals | | |
| EMC | EN 61326-1 | |
| Shock resistance | DIN IEC 68-2-27 | 50 g (11 ms) |
| Vibration resistance | DIN IEC 68-2-6 | 20 g (10...2000 Hz) |
| MTTF [years] | 449 | |
| Mechanical data | | |
| Weight [g] | 40 | |
| Housing | rectangular | |
| Dimensions [mm] | 52 x 25 x 18 | |
| Materials | PA; PET | |
| Sealing material | FKM | |
| Remarks | | |
| Remarks | operating voltage "supply class 2" according to cULus MS = set measuring span | |
| Pack quantity | 1 pcs. | |
| Electrical connection | | |
| Connector: 1 x M12; coding: A; Contacts: 4, gold-plated; Moulded body: TPU; Locking: stainless steel (316L/1.4404); Sealing: FKM | | |
|  | | |

Connection



- 1: two-wire sensor
- 2: four-wire sensor
- 3: operation as 2-wire temperature transmitter
- 4: operation as 3-wire unit, IO-Link communication possible
- B: link