

# TM9061

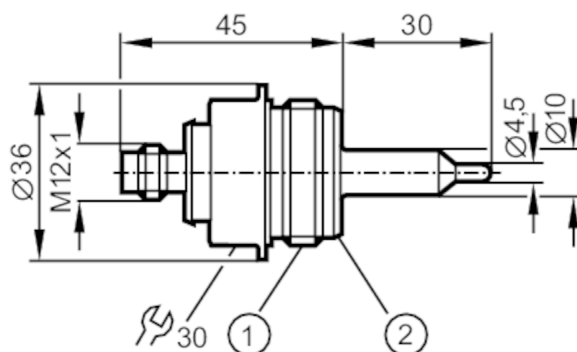


## Temperature sensor with process connection

TM-030KCED10- /US/ IV

Article no longer available - archive entry

Alternative article: TM4501+E33403 When selecting an alternative article and accessories please note that technical data may differ! – When selecting an alternative article and accessories please note that technical data may differ!



- 1 Aseptoflex thread
- 2 Aseptoflex sealing edge



### Product characteristics

Measuring range	-40...150 °C	-40...302 °F
Process connection	G 1 Aseptoflex Vario	
Installation length EL [mm]	43.8	

### Application

Special feature	Gold-plated contacts	
Measuring element	1 x Pt 1000; (to DIN EN 60751, class A)	
Application	hygienic systems	
Media	liquids and gases	
Pressure rating [bar]	50	
Minimum installation depth [mm]	15	

### Electrical data

Protection class	III
------------------	-----

### Measuring/setting range

Probe length L [mm]	30	
Measuring range	-40...150 °C	-40...302 °F

### Accuracy / deviations

Accuracy [K]	$\pm (0,15 K + 0,002 \times  t )$
--------------	-----------------------------------

### Response times

Dynamic response T05 / T09 [s]	5 / 14; (to DIN EN 60751)
--------------------------------	---------------------------

### Operating conditions

Ambient temperature [°C]	-25...80
Storage temperature [°C]	-40...100
Protection	IP 68; IP 69K

### Tests / approvals

MTTF [years]	22831
--------------	-------

# TM9061



## Temperature sensor with process connection

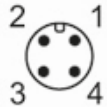
TM-030KCED10- /US/ IV

Mechanical data	
Weight [g]	223.8
Materials	stainless steel (1.4404 / 316L)
Materials (wetted parts)	stainless steel (1.4404 / 316L)
Process connection	G 1 Aseptoflex Vario
Surface characteristics Ra/Rz of the wetted parts	Ra: < 0.6
Probe diameter [mm]	10
Installation length EL [mm]	43.8

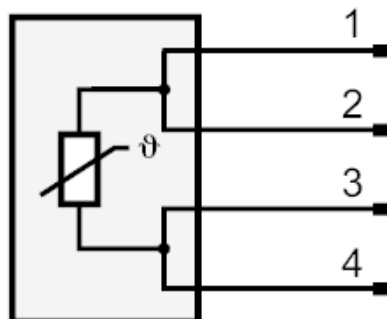
Remarks	
Remarks	The values for accuracy apply to flowing water. The 3-A qualification is only valid if adapters with 3-A qualification are used for installation. operating voltage "supply class 2" according to cULus
Notes	discontinued article
Pack quantity	1 pcs.

## Electrical connection

Connector: 1 x M12; Contacts: gold-plated



## Connection



Article no longer available - archive entry

Alternative article: TM4501+E33403 When selecting an alternative article and accessories please note that technical data may differ! – When selecting an alternative article and accessories please note that technical data may differ!