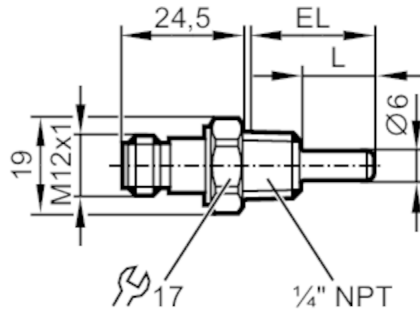


# TM5601



## Temperature sensor with process connection

TM-025KCBN14- /US/



### Product characteristics

Measuring range	-40...150 °C	-40...302 °F
Process connection	threaded connection 1/4" NPT external thread	
Installation length EL [mm]	25	

### Application

Special feature	Gold-plated contacts	
Measuring element	1 x Pt 1000; (to DIN EN 60751, class A)	
Media	liquids and gases	
Pressure rating	400 bar	40 MPa
Note on pressure rating	sensor	
	When mounted in adapters the specifications of the adapter data sheet apply.	
Minimum installation depth [mm]	15	

### Electrical data

Protection class	III	
------------------	-----	--

### Measuring/setting range

Probe length L [mm]	15	
Measuring range	-40...150 °C	-40...302 °F

### Accuracy / deviations

Accuracy [K]	± (0,15 K + 0,002 x t )	
--------------	-------------------------	--

### Response times

Dynamic response T05 / T09 [s]	1 / 3	
--------------------------------	-------	--

### Operating conditions

Ambient temperature [°C]	-25...80	
Storage temperature [°C]	-40...100	
Protection	IP 68; IP 69K	

### Tests / approvals

Shock resistance	DIN EN 60068-2-27	50 g (11 ms)
Vibration resistance	DIN EN 60068-2-6	20 g (10...2000 Hz)
MTTF [years]	22831	
UL approval	UL approval no.	K004

### Mechanical data

Weight [g]	27.2	
------------	------	--

# TM5601



## Temperature sensor with process connection

TM-025KCBN14- /US/

Housing		cylindrical
Dimensions	[mm]	Ø 19 / L = 52.6
Materials		stainless steel (316L/1.4404)
Materials (wetted parts)		stainless steel (316L/1.4404)
Process connection		threaded connection 1/4" NPT external thread
Probe diameter	[mm]	6
Installation length EL	[mm]	25

Remarks	
Remarks	operating voltage "supply class 2" according to cULus
Pack quantity	1 pcs.

### Electrical connection

Connector: 1 x M12; coding: A; Contacts: gold-plated



### Connection

