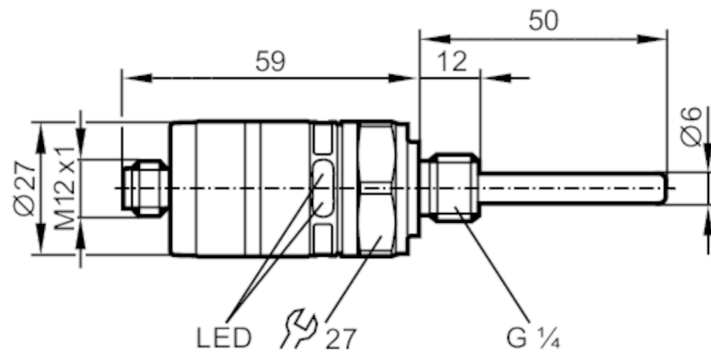


# TK6110



## Temperature switch with intuitive switch point setting

TK-050CLFR14-QKPKG / US



### Product characteristics

Number of inputs and outputs	Number of digital outputs: 2	
Measuring range	-20...140 °C	-4...284 °F
Process connection	threaded connection G 1/4 external thread	
Installation length EL [mm]	50	

### Application

Special feature	Gold-plated contacts	
Measuring element	1 x Pt 1000; (to DIN EN 60751, class A)	
Media	liquids and gases	
Medium temperature [°C]	-40...145	
Pressure rating	400 bar	40 MPa

### Electrical data

Operating voltage [V]	9.6...32 DC; ("supply class 2" to cULus)	
Current consumption [mA]	< 30	
Protection class	III	
Reverse polarity protection	yes	
Power-on delay time [s]	0.5	

### Inputs / outputs

Number of inputs and outputs	Number of digital outputs: 2	
------------------------------	------------------------------	--

### Outputs

Total number of outputs	2	
Output signal	switching signal	
Electrical design	PNP	
Number of digital outputs	2	
Output function	complementary	
Max. voltage drop switching output DC [V]	2	
Permanent current rating of switching output DC [mA]	500	
Short-circuit protection	yes	

# TK6110



## Temperature switch with intuitive switch point setting

TK-050CLFR14-QKPKG / US

Type of short-circuit protection		pulsed
Overload protection		yes
<b>Measuring/setting range</b>		
Probe length L [mm]		38
Measuring range	-20...140 °C	-4...284 °F
Set point SP	-16...140 °C	3...284 °F
Reset point rP	-20...136 °C	-4...277 °F
<b>Accuracy / deviations</b>		
Temperature drift per 10 K [K]		0.1 **)
Repeatability [K]		± 0,1
Setting accuracy [K]		± 3
<b>Response times</b>		
Dynamic response T05 / T09 [s]		1 / 3; (to DIN EN 60751)
<b>Software / programming</b>		
Adjustment of the switch point		setting rings
<b>Operating conditions</b>		
Ambient temperature [°C]		-40...80
Note on ambient temperature		at medium temperature: < 80 °C -40...50 °C at medium temperature: < 145 °C
Storage temperature [°C]		-40...100
Protection		IP 67
<b>Tests / approvals</b>		
EMC	DIN EN 61000-4-2 ESD	4 kV CD / 8 kV AD
	EN 61000-4-3 HF radiated	10 V/m
	DIN EN 61000-4-4 Burst	2 kV
	EN 61000-4-6 HF conducted	10 V
Shock resistance	DIN IEC 68-2-27	50 g (11 ms)
Vibration resistance	DIN EN 60068-2-6	20 g (10...2000 Hz)
MTTF [years]		643.1
UL approval	UL Approval no.	K018
<b>Mechanical data</b>		
Weight [g]		104.5
Housing		cylindrical
Dimensions [mm]		Ø 27 / L = 109
Materials		stainless steel (316L/1.4404); PC; PBT; FKM
Materials (wetted parts)		stainless steel (316L/1.4404); FKM
Tightening torque [Nm]		35
Process connection		threaded connection G 1/4 external thread
Probe diameter [mm]		6
Installation length EL [mm]		50

# TK6110



## Temperature switch with intuitive switch point setting

TK-050CLFR14-QKPKG / US

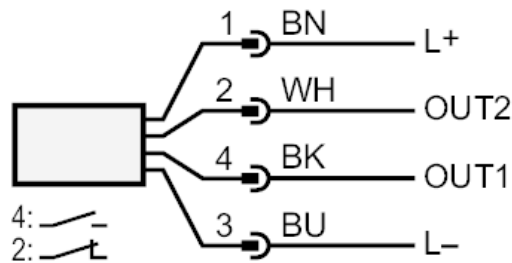
Displays / operating elements		
Display	operation	LED, green
	switching status	LED, yellow
Remarks		
Remarks	**) in case of deviation from the reference condition 25 °C The values for accuracy apply to flowing water.	
Pack quantity	1 pcs.	

### Electrical connection

Connector: 1 x M12; coding: A; Contacts: gold-plated



### Connection



colours to DIN EN 60947-5-2

Core colours :

- BK = black
- BN = brown
- BU = blue
- WH = white