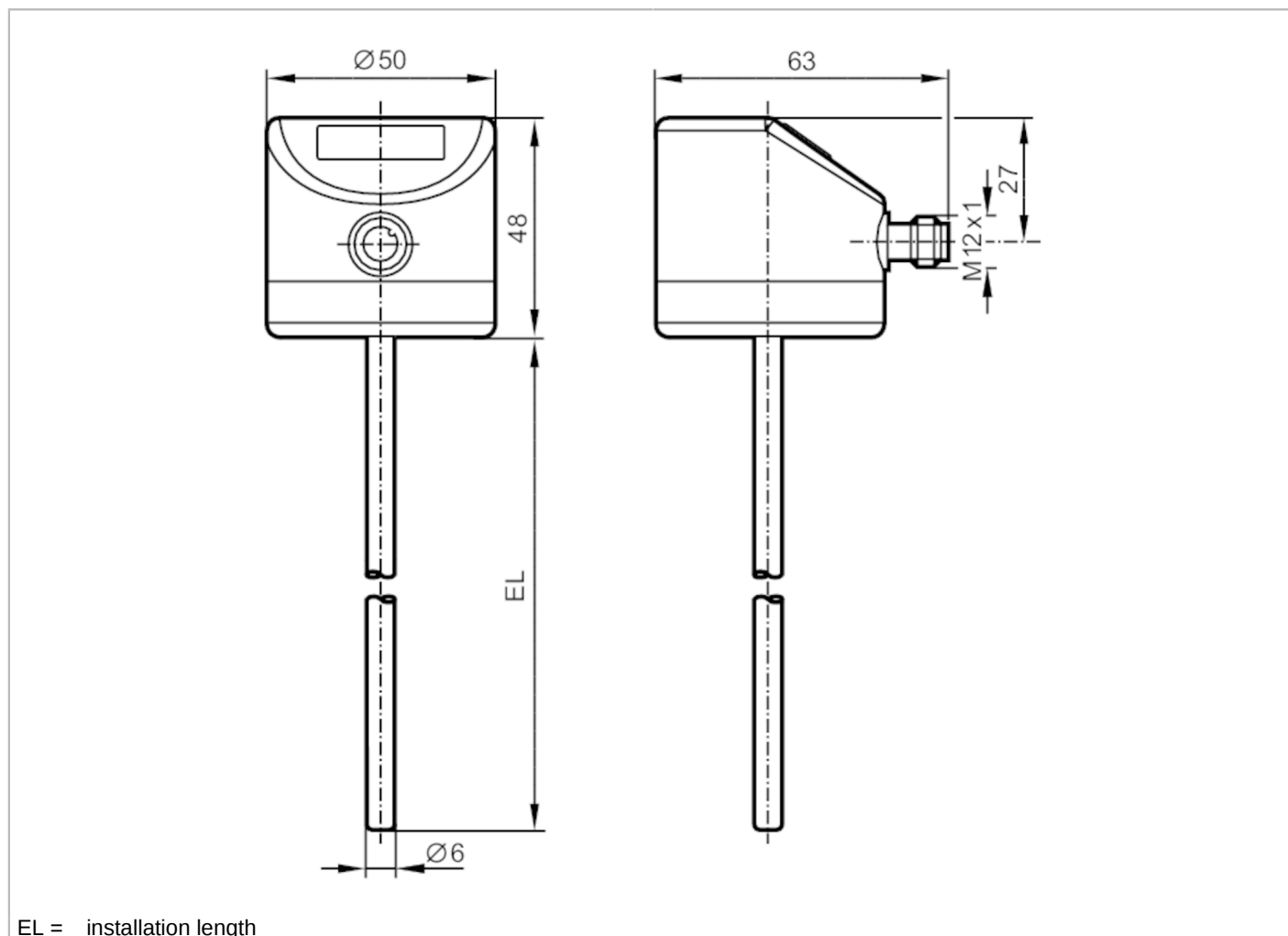


TD2297



Temperature transmitter with display

TD-350CFED06-A-ZVG/US



EL = installation length



Product characteristics

Number of inputs and outputs	Number of analogue outputs: 1	
Measuring range	-50...150 °C	-58...302 °F
Communication interface	IO-Link	
Process connection	clamp adapter Ø 6 mm	
Installation length EL [mm]	350	

Application

Measuring element	1 x Pt 1000; (to DIN EN 60751, class A)	
Media	liquids and gases	
Pressure rating	160 bar	16 MPa
Vacuum resistance	-1000 mbar	-0.1 MPa

Electrical data

Operating voltage [V]	18...32 DC; ("supply class 2" to cULus)	
Current consumption [mA]	< 50	
Protection class	III	
Reverse polarity protection	yes	
Power-on delay time [s]	2	



Temperature transmitter with display

TD-350CFED06-A-ZVG/US

Inputs / outputs		
Number of inputs and outputs	Number of analogue outputs: 1	
Outputs		
Total number of outputs	1	
Output signal	analogue signal; IO-Link; (configurable)	
Number of analogue outputs	1	
Analogue current output [mA]	4...20	
Max. load [Ω]	300	
Short-circuit protection	yes	
Overload protection	yes	
Measuring/setting range		
Measuring range	-50...150 °C	-58...302 °F
Factory setting	0...100 °C	
Resolution		
Resolution of analogue output [K]	0.04	
Resolution of display [K]	0.1	
Accuracy / deviations		
Precision analogue output [K]	± 0,3 + (± 0,1 % MS)	
Temperature coefficient [% of the span / 10 K]	0,1; (in case of deviation from the reference condition 25 °C)	
Response times		
Dynamic response T05 / T09 [s]	1 / 3	
Interfaces		
Communication interface	IO-Link	
Transmission type	COM2 (38,4 kBaud)	
IO-Link revision	1.1	
Profiles	Smart Sensor - SSP 0	Generic Profiled Sensor
Min. process cycle time [ms]	2.3	
Supported DeviceIDs	Type of operation	DeviceID
	default	374
Operating conditions		
Ambient temperature [°C]	-25...80	
Storage temperature [°C]	-40...100	
Protection	IP 67; IP 68; IP 69K	
Tests / approvals		
EMC	DIN EN 61000-6-2	
	DIN EN 61000-6-3	
Shock resistance	DIN IEC 68-2-27	50 g (11 ms)
Vibration resistance	DIN IEC 68-2-6	10 g (10...2000 Hz)
MTTF [years]	407	
Note on approval	factory certificate available as download at www.factory-certificate.ifm	
UL approval	UL approval no.	K001

TD2297



Temperature transmitter with display

TD-350CFED06-A-ZVG/US

Mechanical data	
Weight [g]	298.5
Housing	cylindrical
Dimensions [mm]	Ø 6 / L = 398
Materials	stainless steel (316L/1.4404); PEI; FKM
Materials (wetted parts)	stainless steel (316L/1.4404) electropolished
Process connection	clamp adapter Ø 6 mm
Surface characteristics Ra/Rz of the wetted parts	Ra < 0.8 µm
Probe diameter [mm]	6
Installation length EL [mm]	350

Displays / operating elements	
Display	7-segment LED display, 4-digit display unit / status, °C / °F

Remarks	
Remarks	MS = set measuring span The values for accuracy apply to flowing water.
Pack quantity	1 pcs.

Electrical connection

Connector: 1 x M12; coding: A



Connection

