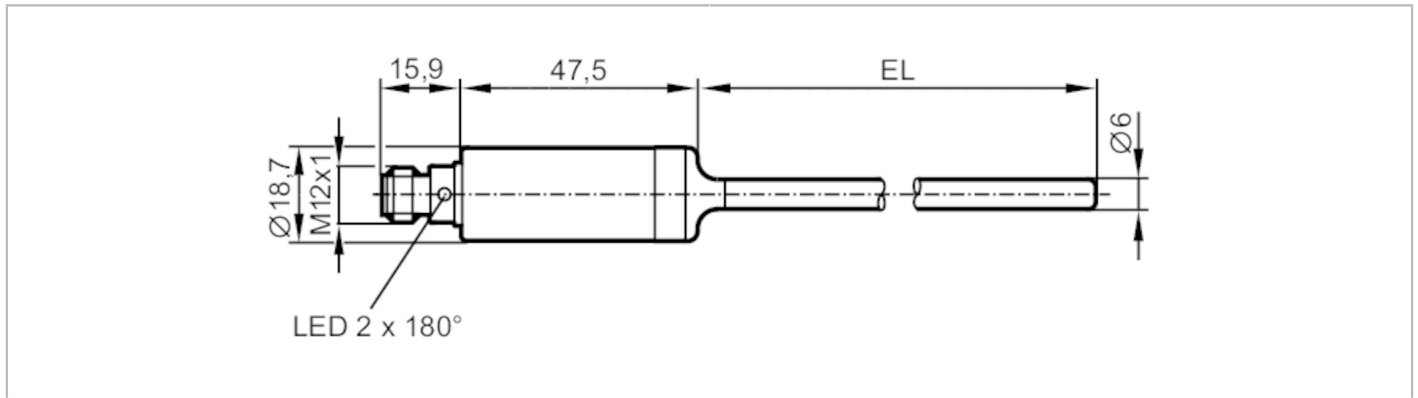


TA2292



Temperature transmitter

TA-350CLE06-- /US



Product characteristics

Number of inputs and outputs	Number of analogue outputs: 1
Measuring range [°C]	-50...200
Communication interface	IO-Link
Process connection	clamp adapter Ø 6 mm
Installation length EL [mm]	350

Application

Measuring element	1 x Pt 1000; (to DIN EN 60751, class A)	
Media	liquids and gases	
Pressure rating	160 bar	16 MPa
Vacuum resistance	-1000 mbar	-0.1 MPa

Electrical data

Operating voltage [V]	18...32 DC; ("supply class 2" to cULus)	
Current consumption [mA]	< 50	
Protection class	III	
Reverse polarity protection	yes	
Power-on delay time [s]	2	

Inputs / outputs

Number of inputs and outputs	Number of analogue outputs: 1
------------------------------	-------------------------------

Outputs

Total number of outputs	1
Output signal	analogue signal; IO-Link; (configurable)
Number of analogue outputs	1
Analogue current output [mA]	4...20
Max. load [Ω]	250; ((18...19 V); 19...32 V: 300 Ω)
Short-circuit protection	yes
Overload protection	yes

Measuring/setting range

Probe length L [mm]	350
Measuring range [°C]	-50...200
Factory setting	0...200 °C

TA2292



Temperature transmitter

TA-350CLE06-- /US

Resolution		
Resolution of analogue output	[K]	0.04
Accuracy / deviations		
Precision analogue output	[K]	$\pm 0,3 + (\pm 0,1 \% \text{ MS})$
Temperature coefficient [% of the span / 10 K]		0,1; (in case of deviation from the reference condition $25 \pm 5 \text{ }^\circ\text{C}$)
Response times		
Dynamic response T05 / T09	[s]	< 0,5 / < 2
Interfaces		
Communication interface		IO-Link
Transmission type		COM2 (38,4 kBaud)
IO-Link revision		1.1
Profiles		Smart Sensor - SSP 0 Generic Profiled Sensor
		Function Device identification
		Function Process data variable
Min. process cycle time	[ms]	2.3
Supported DeviceIDs		Type of operation DeviceID
		default 446
Operating conditions		
Ambient temperature	[°C]	-25...80
Note on ambient temperature		at medium temperature: < 160 °C -25...60 °C at medium temperature: < 200 °C
Storage temperature	[°C]	-40...100
Protection		IP 67; IP 68; IP 69K
Tests / approvals		
EMC		DIN EN 61000-6-2 DIN EN 61000-6-3
Shock resistance		DIN IEC 68-2-27 50 g (11 ms)
Vibration resistance		DIN IEC 68-2-6 10 g (10...2000 Hz)
MTTF	[years]	334
Note on approval		factory certificate available as download at www.factory-certificate.ifm
UL approval		UL approval no. K002
Mechanical data		
Weight	[g]	213.7
Housing		cylindrical
Dimensions	[mm]	$\varnothing 18.7 / L = 413.4$
Materials		stainless steel (316L/1.4404); PEI; FKM
Materials (wetted parts)		stainless steel (316L/1.4404)
Process connection		clamp adapter $\varnothing 6 \text{ mm}$
Surface characteristics Ra/Rz of the wetted parts		$Ra < 0.8 \text{ } \mu\text{m}$
Probe diameter	[mm]	6
Installation length EL	[mm]	350

TA2292



Temperature transmitter

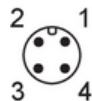
TA-350CLEd06-- /US

Remarks

Remarks	MS = set measuring span
Pack quantity	1 pcs.

Electrical connection

Connector: 1 x M12; coding: A; Contacts: 4



Connection

