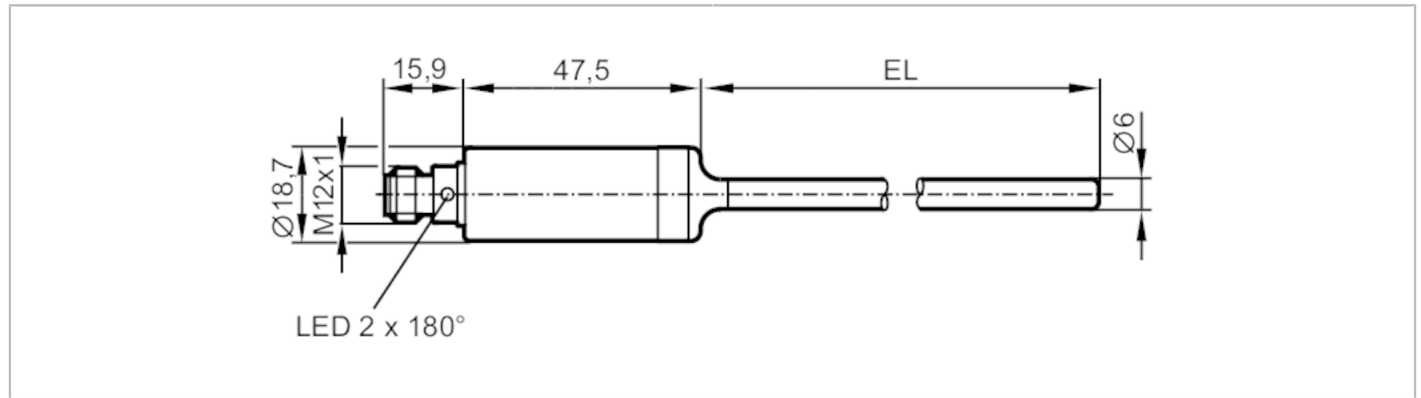


TA2241



Temperature transmitter

TA-150CLE06-- /US



Product characteristics	
Number of inputs and outputs	Number of analogue outputs: 1
Measuring range [°C]	-50...200
Communication interface	IO-Link
Process connection	clamp adapter Ø 6 mm
Installation length EL [mm]	150
Application	
Measuring element	1 x Pt 1000; (to DIN EN 60751, class A)
Media	liquids and gases
Pressure rating	160 bar / 16 MPa
Vacuum resistance	-1000 mbar / -0.1 MPa
Electrical data	
Operating voltage [V]	18...32 DC; ("supply class 2" to cULus)
Current consumption [mA]	< 50
Protection class	III
Reverse polarity protection	yes
Power-on delay time [s]	2
Inputs / outputs	
Number of inputs and outputs	Number of analogue outputs: 1
Outputs	
Total number of outputs	1
Output signal	analogue signal; IO-Link; (configurable)
Number of analogue outputs	1
Analogue current output [mA]	4...20
Max. load [Ω]	250; ((18...19 V); 19...32 V: 300 Ω)
Short-circuit protection	yes
Overload protection	yes
Measuring/setting range	
Probe length L [mm]	150
Measuring range [°C]	-50...200
Factory setting	-10...150 °C

TA2241



Temperature transmitter

TA-150CLE06- - /US

Resolution	
Resolution of analogue output [K]	0.04
Accuracy / deviations	
Precision analogue output [K]	$\pm 0,3 + (\pm 0,1 \% \text{ MS})$
Temperature coefficient [% of the span / 10 K]	0,1; (in case of deviation from the reference condition $25 \pm 5 \text{ }^\circ\text{C}$)
Response times	
Dynamic response T05 / T09 [s]	< 0,5 / < 2
Interfaces	
Communication interface	IO-Link
Transmission type	COM2 (38,4 kBaud)
IO-Link revision	1.1
Profiles	Smart Sensor - SSP 0 Generic Profiled Sensor
	Function Device identification
	Function Process data variable
Min. process cycle time [ms]	2.3
Supported DeviceIDs	Type of operation DeviceID
	default 847
Operating conditions	
Ambient temperature [°C]	-25...80
Note on ambient temperature	at medium temperature: < 160 °C -25...60 °C at medium temperature: < 200 °C
Storage temperature [°C]	-40...100
Protection	IP 67; IP 68; IP 69K
Tests / approvals	
EMC	DIN EN 61000-6-2
	DIN EN 61000-6-3
Shock resistance	DIN IEC 68-2-27 50 g (11 ms)
Vibration resistance	DIN IEC 68-2-6 10 g (10...2000 Hz)
MTTF [years]	334
Note on approval	factory certificate available as download at www.factory-certificate.ifm
UL approval	UL approval no. K002
Mechanical data	
Weight [g]	156.5
Housing	cylindrical
Dimensions [mm]	$\varnothing 18.7 / L = 213.4$
Materials	stainless steel (316L/1.4404); PEI; FKM
Materials (wetted parts)	stainless steel (316L/1.4404) electropolished
Process connection	clamp adapter $\varnothing 6 \text{ mm}$
Surface characteristics Ra/Rz of the wetted parts	$Ra < 0.8 \text{ } \mu\text{m}$
Probe diameter [mm]	6
Installation length EL [mm]	150

TA2241



Temperature transmitter

TA-150CLE06-- /US

Remarks

Remarks	MS = set measuring span The values for accuracy apply to flowing water.
Pack quantity	1 pcs.

Electrical connection

Connector: 1 x M12; coding: A



Connection

