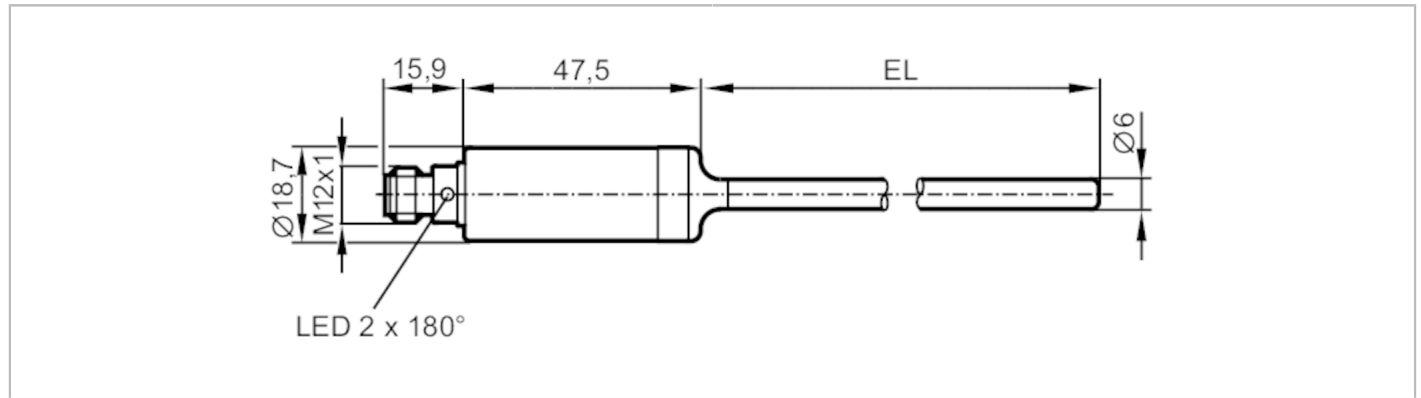


TA2212



Temperature transmitter

TA-050CLE06-- /US



Product characteristics	
Number of inputs and outputs	Number of analogue outputs: 1
Measuring range [°C]	-50...200
Communication interface	IO-Link
Process connection	clamp adapter Ø 6 mm
Installation length EL [mm]	50
Application	
Measuring element	1 x Pt 1000; (to DIN EN 60751, class A)
Media	liquids and gases
Pressure rating	160 bar / 16 MPa
Vacuum resistance	-1000 mbar / -0.1 MPa
Electrical data	
Operating voltage [V]	18...32 DC; ("supply class 2" to cULus)
Current consumption [mA]	< 50
Protection class	III
Reverse polarity protection	yes
Power-on delay time [s]	2
Inputs / outputs	
Number of inputs and outputs	Number of analogue outputs: 1
Outputs	
Total number of outputs	1
Output signal	analogue signal; IO-Link; (configurable)
Number of analogue outputs	1
Analogue current output [mA]	4...20
Max. load [Ω]	250; ((18...19 V); 19...32 V: 300 Ω)
Short-circuit protection	yes
Overload protection	yes
Measuring/setting range	
Probe length L [mm]	50
Measuring range [°C]	-50...200
Factory setting	0...200 °C

TA2212



Temperature transmitter

TA-050CLE06-- /US

Resolution		
Resolution of analogue output	[K]	0.04
Accuracy / deviations		
Precision analogue output	[K]	$\pm 0,3 + (\pm 0,1 \% MS)$
Temperature coefficient [% of the span / 10 K]		0,1; (in case of deviation from the reference condition $25 \pm 5 \text{ }^\circ\text{C}$)
Response times		
Dynamic response T05 / T09	[s]	$< 0,5 / < 2$
Interfaces		
Communication interface		IO-Link
Transmission type		COM2 (38,4 kBaud)
IO-Link revision		1.1
Operating conditions		
Ambient temperature	[$^\circ\text{C}$]	-25...80
Note on ambient temperature		at medium temperature: $< 160 \text{ }^\circ\text{C}$ -25...60 $^\circ\text{C}$ at medium temperature: $< 200 \text{ }^\circ\text{C}$
Storage temperature	[$^\circ\text{C}$]	-40...100
Protection		IP 67; IP 68; IP 69K
Tests / approvals		
EMC		DIN EN 61000-6-2 DIN EN 61000-6-3
Shock resistance		DIN IEC 68-2-27 50 g (11 ms)
Vibration resistance		DIN IEC 68-2-6 10 g (10...2000 Hz)
MTTF	[years]	232
Note on approval		factory certificate available as download at www.factory-certificate.ifm
UL approval		UL Approval no. K002
Mechanical data		
Weight	[g]	102.5
Housing		cylindrical
Dimensions	[mm]	$\varnothing 18.7 / L = 113.4$
Materials		stainless steel (316L/1.4404); PEI; FKM
Materials (wetted parts)		stainless steel (316L/1.4404) electropolished
Process connection		clamp adapter $\varnothing 6 \text{ mm}$
Surface characteristics Ra/Rz of the wetted parts		Ra: < 0.8
Probe diameter	[mm]	6
Installation length EL	[mm]	50
Remarks		
Remarks		MS = set measuring span The values for accuracy apply to flowing water.
Pack quantity		1 pcs.

TA2212



Temperature transmitter

TA-050CLE06-- /US

Electrical connection

Connector: 1 x M12; coding: A



Connection

