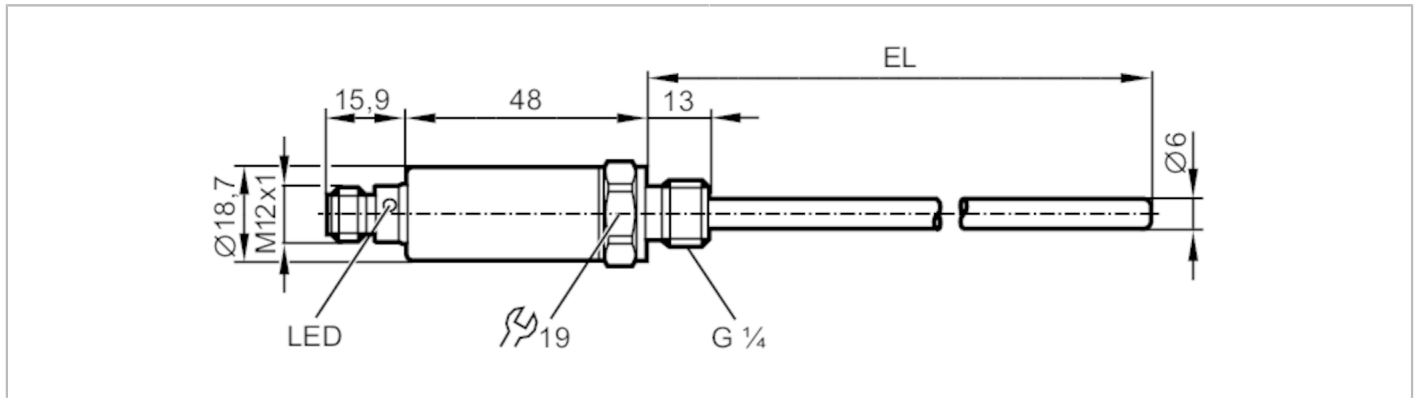


# TA2145



## Temperature transmitter

TA-150CLER14-A-ZVG/US



### Product characteristics

Number of inputs and outputs	Number of analogue outputs: 1
Measuring range [°C]	-50...150
Communication interface	IO-Link
Process connection	threaded connection G 1/4 external thread
Installation length EL [mm]	150

### Application

Special feature	Gold-plated contacts
Measuring element	1 x Pt 1000; (to DIN EN 60751, class A)
Media	liquids and gases
Pressure rating	300 bar   30 MPa
Note on pressure rating	sensor
When mounted in adapters the specifications of the adapter data sheet apply.	

### Electrical data

Operating voltage [V]	18...32 DC; ("supply class 2" to cULus)
Current consumption [mA]	< 50
Protection class	III
Reverse polarity protection	yes
Power-on delay time [s]	1

### Inputs / outputs

Number of inputs and outputs	Number of analogue outputs: 1
------------------------------	-------------------------------

### Outputs

Total number of outputs	1
Output signal	analogue signal; IO-Link; (configurable)
Number of analogue outputs	1
Analogue current output [mA]	4...20
Max. load [Ω]	250; ((18...19 V); 19...32 V: 300 Ω)
Short-circuit protection	yes
Overload protection	yes

### Measuring/setting range

Probe length L [mm]	137
---------------------	-----

# TA2145



## Temperature transmitter

TA-150CLER14-A-ZVG/US

Measuring range	[°C]	-50...150
Factory setting		-50...150 °C
<b>Resolution</b>		
Resolution of analogue output	[K]	0.04
<b>Accuracy / deviations</b>		
Precision analogue output	[K]	± 0,3 + (± 0,1 % MS)
Temperature coefficient [% of the span / 10 K]		0,1; (in case of deviation from the reference condition 25 ± 5 °C)
<b>Response times</b>		
Dynamic response T05 / T09	[s]	1 / 3
<b>Interfaces</b>		
Communication interface		IO-Link
Transmission type		COM2 (38,4 kBaud)
IO-Link revision		1.1
<b>Operating conditions</b>		
Ambient temperature	[°C]	-25...80
Storage temperature	[°C]	-40...100
Protection		IP 67; IP 68; IP 69K
<b>Tests / approvals</b>		
EMC		DIN EN 61000-6-2
Shock resistance		DIN IEC 68-2-27 50 g (11 ms)
Vibration resistance		DIN IEC 68-2-6 20 g (10...2000 Hz)
MTTF	[years]	572
UL approval		UL Approval no. K002
<b>Mechanical data</b>		
Weight	[g]	108
Housing		cylindrical
Dimensions	[mm]	Ø 18.7 / L = 213.9
Materials		stainless steel (316L/1.4404); PEI; FKM
Materials (wetted parts)		stainless steel (316L/1.4404); O-ring: FKM
Tightening torque	[Nm]	35
Process connection		threaded connection G 1/4 external thread
Probe diameter	[mm]	6
Installation length EL	[mm]	150
<b>Displays / operating elements</b>		
Display	operating status	1 x LED, green
<b>Remarks</b>		
Remarks		MS = set measuring span
Pack quantity		1 pcs.

# TA2145



## Temperature transmitter

TA-150CLER14-A-ZVG/US

### Electrical connection

Connector: 1 x M12; coding: A; Contacts: gold-plated



### Connection

