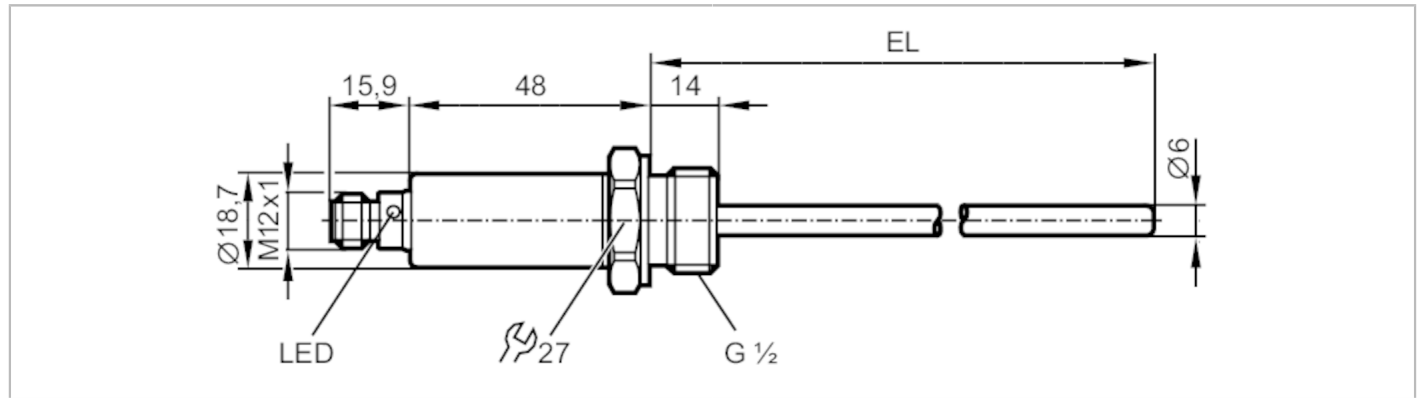


TA2447



Temperature transmitter

TA-150CLER12-A-ZVG/US



Product characteristics	
Number of inputs and outputs	Number of analogue outputs: 1
Measuring range [°C]	-50...150
Communication interface	IO-Link
Process connection	threaded connection G 1/2 external thread
Installation length EL [mm]	150
Application	
Special feature	Gold-plated contacts
Measuring element	1 x Pt 1000; (to DIN EN 60751, class A)
Media	liquids and gases
Pressure rating	160 bar 16 MPa
Note on pressure rating	sensor When mounted in adapters the specifications of the adapter data sheet apply.
Electrical data	
Operating voltage [V]	18...32 DC; ("supply class 2" to cULus)
Current consumption [mA]	< 50
Protection class	III
Reverse polarity protection	yes
Power-on delay time [s]	1
Inputs / outputs	
Number of inputs and outputs	Number of analogue outputs: 1
Outputs	
Total number of outputs	1
Output signal	analogue signal; IO-Link; (configurable)
Number of analogue outputs	1
Analogue current output [mA]	4...20
Max. load [Ω]	250; ((18...19 V); 19...32 V: 300 Ω)
Short-circuit protection	yes
Overload protection	yes
Measuring/setting range	
Probe length L [mm]	136

TA2447



Temperature transmitter

TA-150CLER12-A-ZVG/US

Measuring range	[°C]	-50...150
Factory setting		0...100 °C
Resolution		
Resolution of analogue output	[K]	0.04
Accuracy / deviations		
Precision analogue output	[K]	± 0,3 + (± 0,1 % MS)
Temperature coefficient [% of the span / 10 K]		0,1; (in case of deviation from the reference condition 25 ± 5 °C)
Response times		
Dynamic response T05 / T09	[s]	1 / 3
Interfaces		
Communication interface		IO-Link
Transmission type		COM2 (38,4 kBaud)
IO-Link revision		1.1
Operating conditions		
Ambient temperature	[°C]	-25...80
Storage temperature	[°C]	-40...100
Protection		IP 67; IP 68; IP 69K
Tests / approvals		
EMC		DIN EN 61000-6-2
Shock resistance		DIN IEC 68-2-27 50 g (11 ms)
Vibration resistance		DIN IEC 68-2-6 20 g (10...2000 Hz)
MTTF	[years]	346
UL approval		UL Approval no. K002
Mechanical data		
Weight	[g]	147.5
Housing		cylindrical
Dimensions	[mm]	Ø 18.7 / L = 213.9
Materials		stainless steel (316L/1.4404); PEI; FKM
Materials (wetted parts)		stainless steel (316L/1.4404); O-ring: FKM
Tightening torque	[Nm]	45
Process connection		threaded connection G 1/2 external thread
Probe diameter	[mm]	6
Installation length EL	[mm]	150
Displays / operating elements		
Display	operating status	1 x LED, green
Remarks		
Remarks		MS = set measuring span
Pack quantity		1 pcs.

TA2447



Temperature transmitter

TA-150CLER12-A-ZVG/US

Electrical connection

Connector: 1 x M12; coding: A; Contacts: gold-plated



Connection

