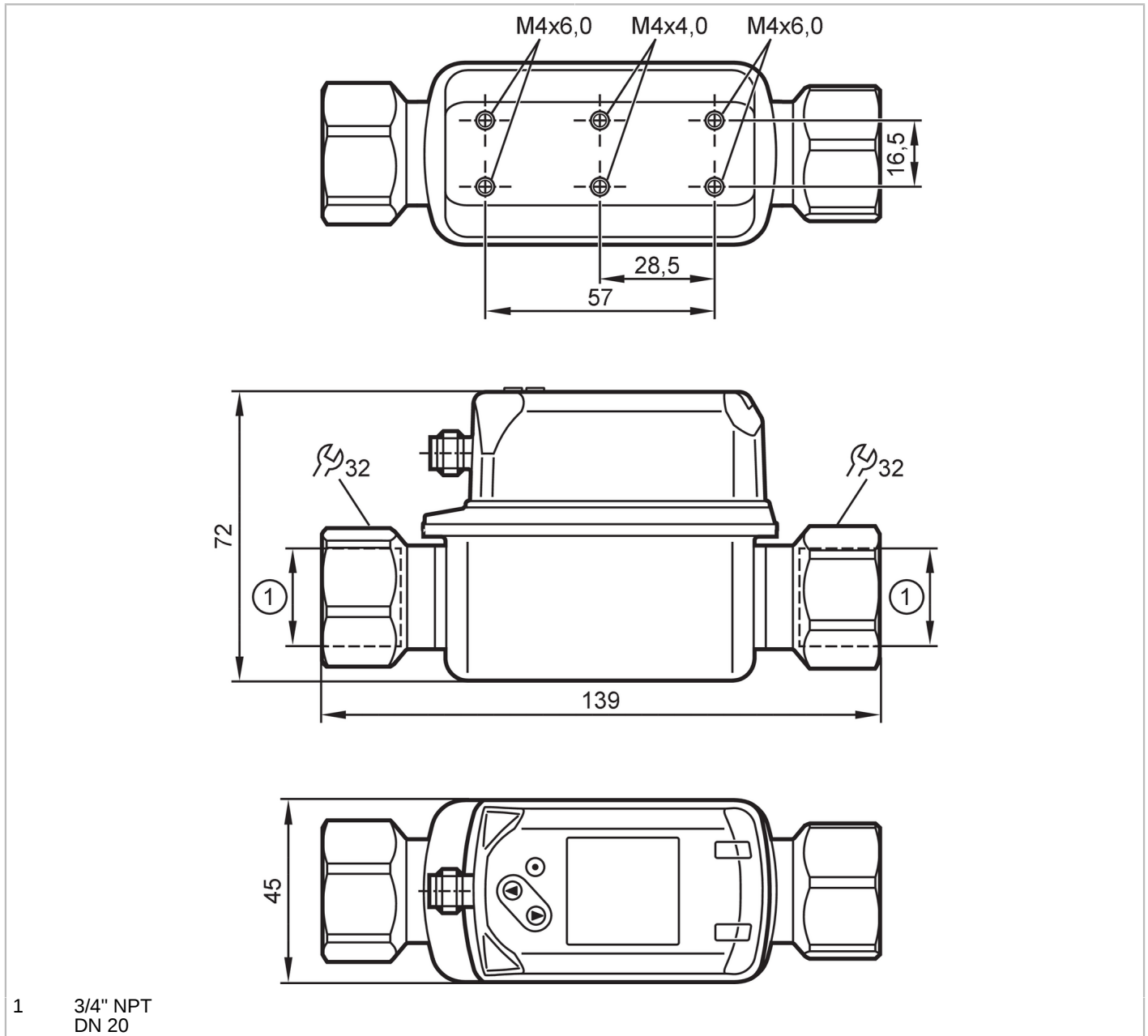


SV7614



Vortex flow meter with display

SVN34XXX50KG/US-100



Product characteristics			
Number of inputs and outputs	Number of analogue outputs: 2		
Measuring range	80...1585 gph	1.3...26.4 gpm	
Process connection	threaded connection 3/4" NPT internal thread DN20		
Application			
Special feature	Gold-plated contacts		
Application	for industrial applications		
Media	water; glycol solutions; coolants		
Medium temperature [°F]	14...194		
Pressure rating	12 bar	174 psi	1.2 MPa
Note on pressure rating	up to 40 °C		

SV7614



Vortex flow meter with display

SVN34XXX50KG/US-100

MAWP for applications according to CRN	[bar]	4.3
--	-------	-----

Electrical data

Operating voltage	[V]	18...30 DC
Current consumption	[mA]	< 30
Min. insulation resistance	[MΩ]	100; (500 V DC)
Protection class		III
Reverse polarity protection		yes
Power-on delay time	[s]	< 3
Measuring principle		Vortex

Inputs / outputs

Number of inputs and outputs	Number of analogue outputs: 2
------------------------------	-------------------------------

Outputs

Total number of outputs	2
Output signal	analogue signal
Number of analogue outputs	2
Analogue current output	[mA] 4...20
Max. load	[Ω] 500
Short-circuit protection	yes
Overload protection	yes

Measuring/setting range

Measuring range	80...1585 gph	1.3...26.4 gpm
Display range	0...1900 gph	0...31.7 gpm
Resolution	5 gph	0.1 gpm
Analogue start point ASP	0...1270 gph	0...21.1 gpm
Analogue end point AEP	315...1585 gph	5.3...26.4 gpm
In steps of	5 gph	0.1 gpm
Measuring dynamics		1:20

Temperature monitoring

Measuring range	[°F]	14...194
Display range	[°F]	-22...230
Resolution	[°F]	1
Analogue start point	[°F]	14...158
Analogue end point	[°F]	50...194
In steps of	[°F]	1

Accuracy / deviations

Flow monitoring

Accuracy (in the measuring range)	± 2 % MEW; (water)
Repeatability	± 0,5 % MEW

Temperature monitoring

Accuracy	[K]	± 1
----------	-----	-----

SV7614



Vortex flow meter with display

SVN34XXX50KG/US-100

Response times	
Flow monitoring	
Response time [s]	1; (dAP = 0)
Damping process value dAP [s]	0...5
Temperature monitoring	
Dynamic response T05 / T09 [s]	T09 = 6
Software / programming	
Parameter setting options	Damping for the analogue output dAA; Display unit
Operating conditions	
Ambient temperature [°F]	32...140
Note on ambient temperature	medium temperature < 176 °F medium temperature < 194 °F: 32...122 °F
Storage temperature [°F]	-4...176
Protection	IP 65; IP 67
Tests / approvals	
EMC	DIN EN 61000-6-2 DIN EN 61000-6-3
Shock resistance	DIN EN 60068-2-27 5 g (11 ms)
Vibration resistance	DIN EN 60068-2-6 with water / 10...50 Hz 1 mm with water / 50...2000 Hz 2 g
MTTF [years]	342
UL approval	UL approval no. I002
Pressure Equipment Directive	Sound engineering practice; can be used for group 2 fluids; group 1 fluids on request
Mechanical data	
Weight [g]	514.5
Housing	rectangular
Dimensions [mm]	139 x 45 x 72
Materials	stainless steel (316L/1.4404); PC; PBT+PC-GF30; PPS; TPE-U
Materials (wetted parts)	stainless steel (316L/1.4404); ETFE; PA 6T; PPS; FKM
Tightening torque [Nm]	30
Process connection	threaded connection 3/4" NPT internal thread DN20
Displays / operating elements	
Display	colour display 1,44", 128 x 128 pixels 2 x LED, yellow
Remarks	
Remarks	MW = measured value MEW = Final value of the measuring range
Pack quantity	1 pcs.
Electrical connection	
Connector: 1 x M12; coding: A; Contacts: 4, gold-plated	

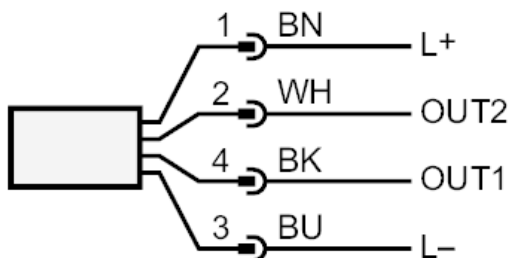
SV7614



Vortex flow meter with display

SVN34XXX50KG/US-100

Connection



OUT1: analogue output Temperature monitoring
OUT2: analogue output volumetric flow quantity monitoring
colours to DIN EN 60947-5-2

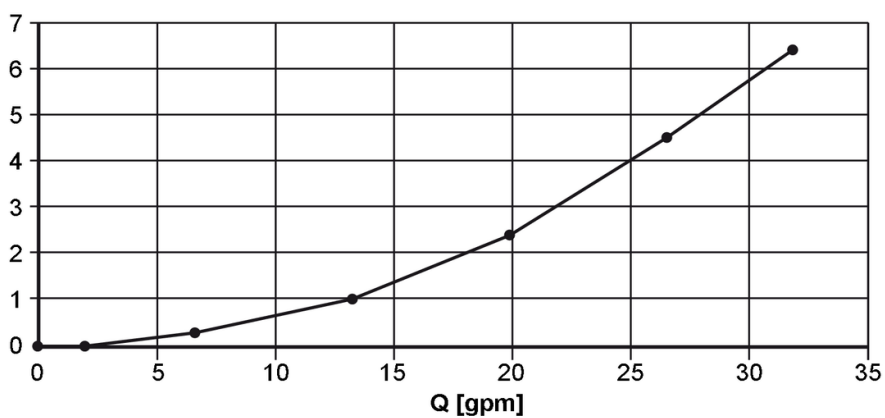
Core colours :

BK = black
BN = brown
BU = blue
WH = white

Diagrams and graphs

Pressure loss

dP [psi]
(DN20, 25 °C)

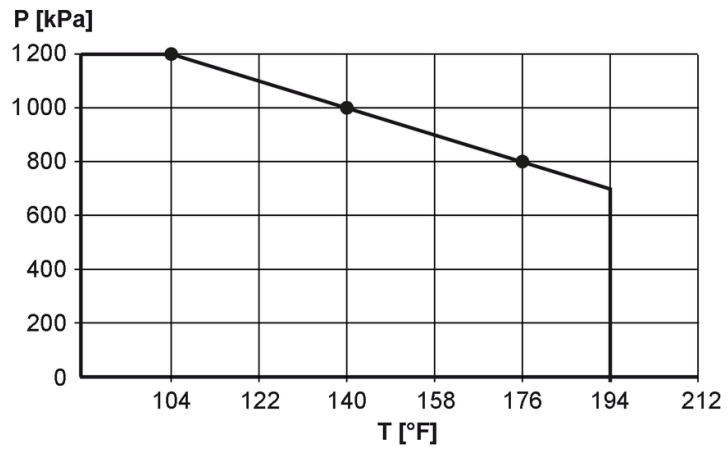


dP Pressure loss
Q volumetric flow quantity

SV7614

Vortex flow meter with display

SVN34XXX50KG/US-100



pressure rating (bar)

