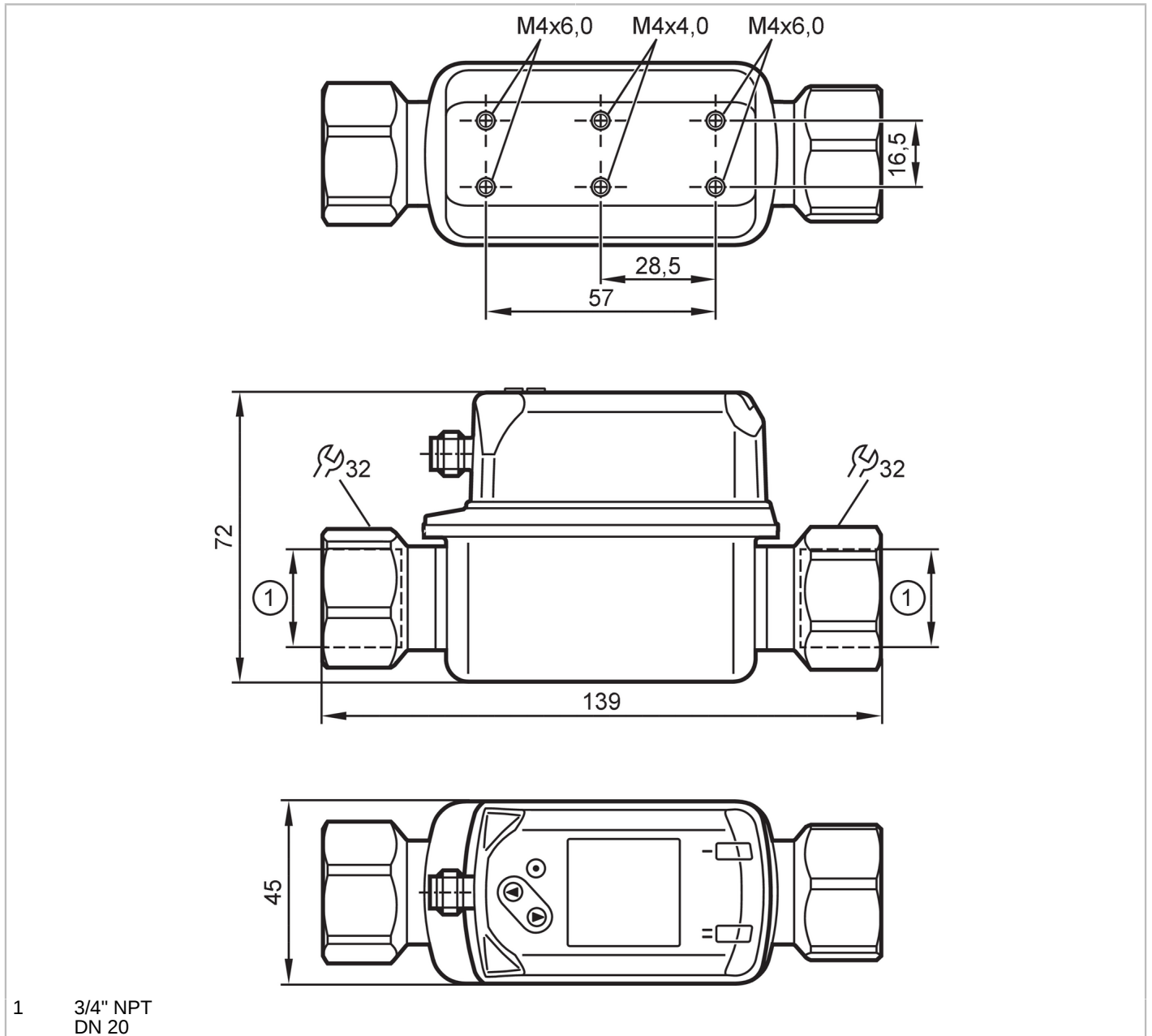


SV7610



Vortex flow meter with display

SVN34XXXIRKG/US-100



1 3/4" NPT
DN 20



Product characteristics			
Number of inputs and outputs	Number of digital outputs: 2		
Measuring range	80...1585 gph	1.3...26.4 gpm	
Process connection	threaded connection 3/4" NPT internal thread DN20		
Application			
Special feature	Gold-plated contacts		
Application	for industrial applications		
Media	water; glycol solutions; coolants		
Medium temperature [°F]	14...194		
Pressure rating	12 bar	174 psi	1.2 MPa
Note on pressure rating	up to 40 °C		

SV7610



Vortex flow meter with display

SVN34XXXIRKG/US-100

MAWP for applications according to CRN	[bar]	4.3
--	-------	-----

Electrical data

Operating voltage	[V]	18...30 DC
Current consumption	[mA]	< 30
Min. insulation resistance	[MΩ]	100; (500 V DC)
Protection class		III
Reverse polarity protection		yes
Power-on delay time	[s]	< 3
Measuring principle		Vortex

Inputs / outputs

Number of inputs and outputs	Number of digital outputs: 2
------------------------------	------------------------------

Outputs

Total number of outputs	2
Output signal	switching signal; frequency signal; IO-Link; (configurable)
Electrical design	PNP/NPN
Number of digital outputs	2
Output function	normally open / normally closed; (parameterisable)
Max. voltage drop switching output DC	[V] 2.5
Permanent current rating of switching output DC	[mA] 100
Short-circuit protection	yes
Overload protection	yes

Measuring/setting range

Measuring range	80...1585 gph	1.3...26.4 gpm
Display range	0...1900 gph	0...31.7 gpm
Resolution	5 gph	0.1 gpm
Set point SP	95...1585 gph	1.6...26.4 gpm
Reset point rP	80...1570 gph	1.3...26.2 gpm
Frequency end point, FEP	315...1585 gph	5.3...26.4 gpm
In steps of	5 gph	0.1 gpm
Frequency at the end point FRP	[Hz]	100...1000
Measuring dynamics		1:20

Temperature monitoring

Measuring range	[°F]	14...194
Display range	[°F]	-22...230
Resolution	[°F]	1
Set point SP	[°F]	16...194
Reset point rP	[°F]	14...192
In steps of	[°F]	1
Frequency start point, FSP	[°F]	14...158
Frequency end point, FEP	[°F]	50...194
Frequency at the end point FRP	[Hz]	100...1000

SV7610



Vortex flow meter with display

SVN34XXXIRKG/US-100

Accuracy / deviations		
Flow monitoring		
Accuracy (in the measuring range)		± 2 % MEW; (water)
Repeatability		± 0,5 % MEW
Temperature monitoring		
Accuracy	[K]	± 1
Response times		
Flow monitoring		
Response time	[s]	1; (dAP = 0)
Damping process value dAP	[s]	0...5
Temperature monitoring		
Dynamic response T05 / T09	[s]	T09 = 6
Software / programming		
Parameter setting options	hysteresis / window; normally open / normally closed; switching logic; frequency output; switch-on/switch-off delay; Damping; Display unit	
Interfaces		
Communication interface	IO-Link	
Transmission type	COM2 (38,4 kBaud)	
IO-Link revision	1.1	
SDCI standard	IEC 61131-9	
Profiles	Smart Sensor - SSP 0	Generic Profiled Sensor
	Function	Device identification
	Function	Process data variable
	Function	Device diagnosis
SIO mode	yes	
Required master port type	A	
Process data analogue	2	
Process data binary	2	
Min. process cycle time	[ms]	3
Supported DeviceIDs	Type of operation	DeviceID
	default	494
Operating conditions		
Ambient temperature	[°F]	32...140
Note on ambient temperature	medium temperature < 176 °F medium temperature < 194 °F: 32...122 °F	
Storage temperature	[°F]	-4...176
Protection	IP 65; IP 67	
Tests / approvals		
EMC	DIN EN 61000-6-2	
	DIN EN 61000-6-3	
Shock resistance	DIN EN 60068-2-27	5 g (11 ms)
Vibration resistance	DIN EN 60068-2-6	with water / 10...50 Hz 1 mm
		with water / 50...2000 Hz 2 g
MTTF	[years]	342

SV7610



Vortex flow meter with display

SVN34XXXIRKG/US-100

UL approval	UL approval no.	I001
Pressure Equipment Directive	Sound engineering practice; can be used for group 2 fluids; group 1 fluids on request	

Mechanical data		
Weight	[g]	505.5
Housing		rectangular
Dimensions	[mm]	139 x 45 x 72
Materials		stainless steel (316L/1.4404); PC; PBT+PC-GF30; PPS; TPE-U
Materials (wetted parts)		stainless steel (316L/1.4404); ETFE; PA 6T; PPS; FKM
Tightening torque	[Nm]	30
Process connection		threaded connection 3/4" NPT internal thread DN20

Displays / operating elements		
Display		colour display 1,44", 128 x 128 pixels 2 x LED, yellow

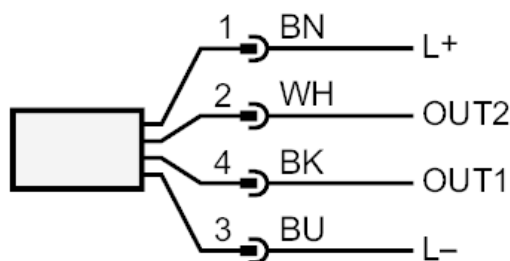
Remarks		
Remarks		MW = measured value MEW = Final value of the measuring range
Pack quantity		1 pcs.

Electrical connection

Connector: 1 x M12; coding: A; Contacts: 4, gold-plated



Connection



- OUT1: Flow monitoring
- switching output
- frequency output
- IO-Link
- OUT2: flow monitoring and temperature monitoring
- switching output
- frequency output
- colours to DIN EN 60947-5-2
- Core colours :
- BK = black
- BN = brown
- BU = blue
- WH = white

SV7610



Vortex flow meter with display

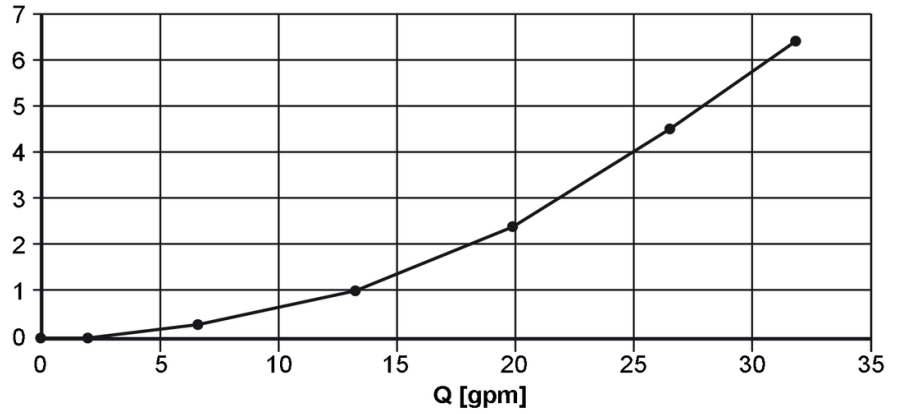
SVN34XXXIRKG/US-100

Diagrams and graphs

Pressure loss

dP [psi]

(DN20, 25 °C)



dP Pressure loss

Q volumetric flow quantity

pressure rating (bar)

P [kPa]

