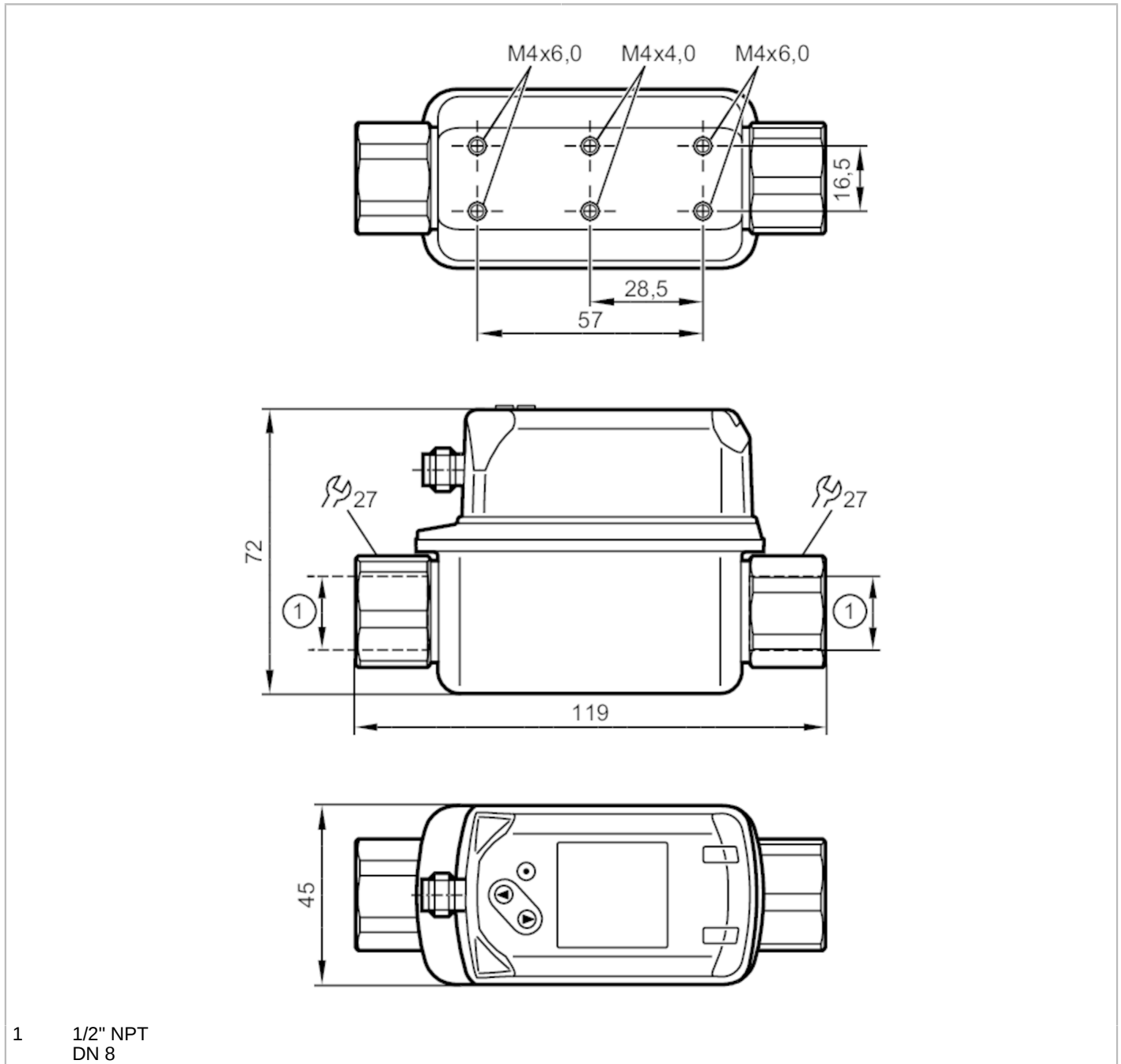


SV4614



Vortex flow meter with display

SVN12XXX50KG/US-100



1 1/2" NPT
DN 8



Product characteristics	
Number of inputs and outputs	Number of analogue outputs: 2
Measuring range	16...317 gph 0.26...5.28 gpm
Process connection	threaded connection 1/2" NPT internal thread DN8
Application	
Special feature	Gold-plated contacts
Application	for industrial applications
Media	water; glycol solutions; coolants
Medium temperature [°F]	14...194

SV4614



Vortex flow meter with display

SVN12XXX50KG/US-100

Pressure rating	12 bar	174 psi	1.2 MPa
Note on pressure rating	up to 40 °C		
MAWP for applications according to CRN [bar]	3.9		
Electrical data			
Operating voltage [V]	18...30 DC		
Current consumption [mA]	< 30		
Min. insulation resistance [MΩ]	100; (500 V DC)		
Protection class	III		
Reverse polarity protection	yes		
Power-on delay time [s]	< 3		
Measuring principle	Vortex		
Inputs / outputs			
Number of inputs and outputs	Number of analogue outputs: 2		
Outputs			
Total number of outputs	2		
Output signal	analogue signal		
Number of analogue outputs	2		
Analogue current output [mA]	4...20		
Max. load [Ω]	500		
Short-circuit protection	yes		
Overload protection	yes		
Measuring/setting range			
Measuring range	16...317 gph	0.26...5.28 gpm	
Display range	0...380 gph	0...6.34 gpm	
Resolution	1 gph	0.02 gpm	
Analogue start point ASP	0...254 gph	0...4.22 gpm	
Analogue end point AEP	63...317 gph	1.06...5.28 gpm	
In steps of	1 gph	0.02 gpm	
Measuring dynamics	1:20		
Temperature monitoring			
Measuring range [°F]	14...194		
Display range [°F]	-22...230		
Resolution [°F]	1		
Set point SP [°F]	16...194		
Reset point rP [°F]	14...192		
In steps of [°F]	1		
Frequency start point, FSP [°F]	14...158		
Frequency end point, FEP [°F]	50...194		
Accuracy / deviations			
Flow monitoring			
Accuracy (in the measuring range)	± 2 % MEW; (water)		
Repeatability	± 0,5 % MEW		

SV4614



Vortex flow meter with display

SVN12XXX50KG/US-100

Temperature monitoring		
Accuracy	[K]	± 1
Response times		
Flow monitoring		
Response time	[s]	1; (dAP = 0)
Damping process value dAP	[s]	0...5
Temperature monitoring		
Dynamic response T05 / T09	[s]	T09 = 6
Software / programming		
Parameter setting options	Damping for the analogue output dAA; Display unit	
Operating conditions		
Ambient temperature	[°F]	32...140
Note on ambient temperature	medium temperature < 176 °F medium temperature < 194 °F: 32...122 °F	
Storage temperature	[°F]	-4...176
Protection	IP 65; IP 67	
Tests / approvals		
EMC	DIN EN 61000-6-2	
	DIN EN 61000-6-3	
Shock resistance	DIN EN 60068-2-27	5 g (11 ms)
Vibration resistance	DIN EN 60068-2-6	with water / 10...50 Hz 1 mm with water / 50...2000 Hz 2 g
MTTF	[years]	342
UL approval	UL Approval no.	I002
Pressure Equipment Directive	Sound engineering practice; can be used for group 2 fluids; group 1 fluids on request	
Mechanical data		
Weight	[g]	481.5
Housing	rectangular	
Dimensions	[mm]	119 x 45 x 72
Materials	stainless steel (316L/1.4404); PC; PBT+PC-GF30; PPS; TPE-U	
Materials (wetted parts)	stainless steel (316L/1.4404); ETFE; PA 6T; PPS; FKM	
Tightening torque	[Nm]	30
Process connection	threaded connection 1/2" NPT internal thread DN8	
Displays / operating elements		
Display	colour display 1,44", 128 x 128 pixels 2 x LED, yellow	
Remarks		
Remarks	MW = measured value MEW = Final value of the measuring range	
Pack quantity	1 pcs.	

SV4614



Vortex flow meter with display

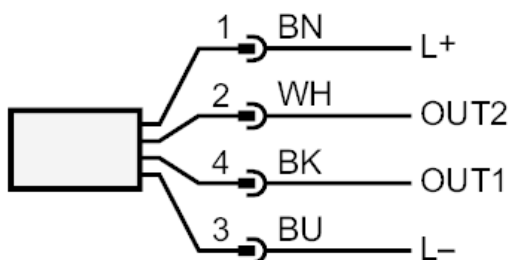
SVN12XXX50KG/US-100

Electrical connection

Connector: 1 x M12; coding: A; Contacts: gold-plated



Connection



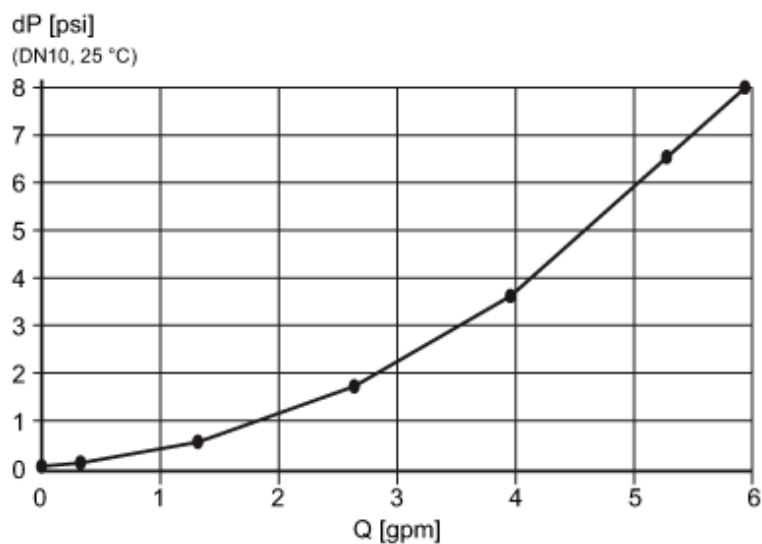
OUT1: analogue output Temperature monitoring
OUT2: analogue output volumetric flow quantity monitoring
colours to DIN EN 60947-5-2

Core colours :

BK = black
BN = brown
BU = blue
WH = white

Diagrams and graphs

Pressure loss



dP Pressure loss

Q volumetric flow quantity

SV4614

Vortex flow meter with display

SVN12XXX50KG/US-100



pressure rating (bar)

