

SU7000



Ultrasonic flow meter

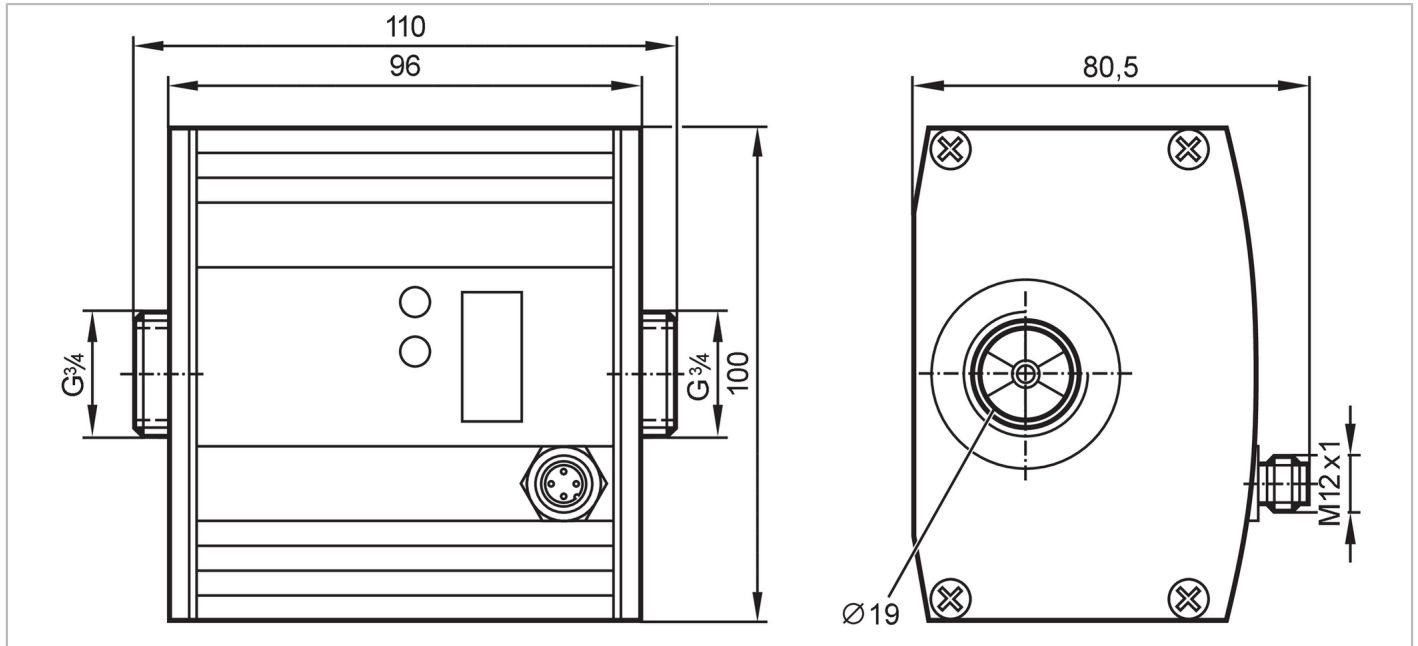
SUR34HGBFRKG/W/US-100-IPF

Article to be discontinued

Discontinuation date: 12/31/2025

Alternative articles: SU7030

When selecting an alternative article and accessories please note that technical data may differ!



Product characteristics

Number of inputs and outputs	Number of digital outputs: 2; Number of analog outputs: 1	
Measuring range	0...50 l/min	0...3 m³/h
Process connection	threaded connection G 3/4 external thread flat seal	

Application

Special feature	gold-plated contacts	
Application	Totalizer function; for industrial applications	
Installation	connection to pipe by means of an adapter	
Media	water; glycol solutions; Coolants; oils	
Note on media	low-viscosity oils with viscosity: 7...40 mm²/s (40 °C) high-viscosity oils with viscosity: 30...68 mm²/s (40 °C)	
Medium temperature [°C]	-10...80	
Pressure rating	16 bar	1.6 MPa

Electrical data

Operating voltage [V]	19...30 DC; (to SELV/PELV)	
Current consumption [mA]	100	
Min. insulation resistance [MΩ]	100; (500 V DC)	
Protection class	III	
Reverse polarity protection	yes	
Power-on delay time [s]	10	
Measuring principle	ultrasonic	

SU7000



Ultrasonic flow meter

SUR34HGBFRKG/W/US-100-IPF

Inputs / outputs		
Number of inputs and outputs	Number of digital outputs: 2; Number of analog outputs: 1	
Inputs		
Inputs	counter reset	
Outputs		
Total number of outputs	2	
Output signal	switching signal; analog signal; pulse signal; (configurable)	
Electrical design	PNP/NPN	
Number of digital outputs	2	
Output function	normally open / closed; (configurable)	
Max. voltage drop switching output DC [V]	2	
Permanent current rating of switching output DC [mA]	250; (per output)	
Number of analog outputs	1	
Analog current output [mA]	4...20; (scalable)	
Max. load [Ω]	500	
Analog voltage output [V]	0...10; (scalable)	
Min. load resistance [Ω]	2000	
Pulse output	flow rate meter	
Short-circuit protection	yes	
Type of short-circuit protection	yes (non-latching)	
Overload protection	yes	
Measuring/setting range		
Measuring range	0...50 l/min	0...3 m³/h
Display range	0...60 l/min	0...3.6 m³/h
Resolution	0.1 l/min	0.005 m³/h
Set point SP	0.1...50 l/min	0.005...3 m³/h
Reset point rP	0...49.9 l/min	0...2.995 m³/h
Analog start point ASP	0...40 l/min	0...2.4 m³/h
Analog end point AEP	10...50 l/min	0.6...3 m³/h
Max. flow rate	60 l/min	3.6 m³/h
In steps of	0.1 l/min	0.005 m³/h
Volumetric flow quantity monitoring		
Pulse value	0.1 l...1 000 000 m³	
Pulse length [s]	0,05...2	
Temperature monitoring		
Measuring range [°C]	-10...80	
Resolution [°C]	0.2	
Set point SP [°C]	-9.8...80	
Reset point rP [°C]	-10...79.8	
Analog start point [°C]	-10...62	
Analog end point [°C]	8...80	
In steps of [°C]	0.2	

SU7000



Ultrasonic flow meter

SUR34HGBFRKG/W/US-100-IPF

Accuracy / deviations		
Flow monitoring		
Accuracy (in the measuring range)	water: $< \pm (3 \% MW + 0,2 \% MEW)$; glycol (35 %), oil (viscosity 68 mm ² /s at 40 °C): $< \pm (5 \% MW + 0,5 \% MEW)$	
Repeatability	0,1 l/min; 6 l/h; 0,006 m ³ /h	
Temperature monitoring		
Accuracy [K]	$\pm 3 (Q > 1 \text{ l/min})$	
Reaction times		
Flow monitoring		
Response time [s]	0.25; (dAP = 0)	
Delay time programmable dS, dr [s]	0...50	
Damping process value dAP [s]	0...1	
Temperature monitoring		
Dynamic response T05 / T09 [s]	T09 = 70 (Q > 5 l/min); (water)	
Software / programming		
Parameter setting options	Flow monitoring; quantity meter; Preset counter; Temperature monitoring	
Operating conditions		
Ambient temperature [°C]	-10...60	
Storage temperature [°C]	-25...80	
Protection	IP 67	
Tests / approvals		
EMC	EN 61000-4-2 ESD	4 kV CD / 8 kV AD
	EN 61000-4-3 HF radiated	10 V/m
	EN 61000-4-4 Burst	2 kV
	EN 61000-4-5 Surge	0,5 kV
	EN 61000-4-6 HF conducted	10 V
	CPA approval	model number
accuracy class		3
maximum allowable error		-
Q (min)		0,5 m ³ /h
Q (t)		-
Q (max)		3 m ³ /h
Shock resistance		DIN IEC 68-2-27
Vibration resistance	DIN IEC 68-2-6	5 g (10...2000 Hz)
MTTF [years]	175	
Pressure equipment directive	sound engineering practice; can be used for group 2 fluids; group 1 fluids on request	
Mechanical data		
Weight [g]	1551.5	
Housing	rectangular	
Dimensions [mm]	110 x 100 x 80.5	
Material	housing: Aluminum Alloy anodized AlMgSi0,5; sealing: FKM; PA 6.6; cover film: PA	
Materials (wetted parts)	Pipe section: stainless steel (1.4404 / 316L); Process connection sealing: NBR fiber-reinforced Gasket; FKM; PES	
Process connection	threaded connection G 3/4 external thread flat seal	

SU7000



Ultrasonic flow meter

SUR34HGBFRKG/W/US-100-IPF

Displays / operating elements		
Display	Display unit	6 x LED, green (l/min, m ³ /h, l, m ³ , 10 ³ , °C)
	Switching status	2 x LED, yellow
	Measured values	alphanumeric display, 4-digit
	Programming	alphanumeric display, 4-digit

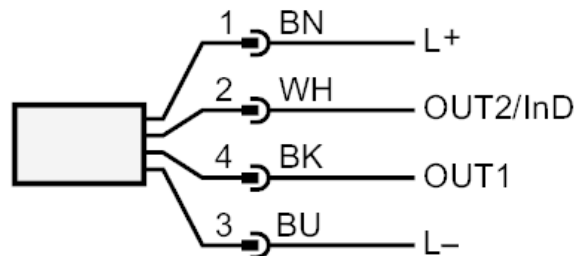
Accessories	
Items supplied	sealings: 2, Centellen
Accessories (optional)	adapter for pipe: 1 x R1/2, stainless steel, E40178
	adapter for pipe: 1 x R1/2, brass, E40151

Remarks	
Remarks	MW = Measured value
	MEW = Final value of the measuring range
	sealing: only with supplied Centellen seals
Pack quantity	1 pcs.

Electrical connection
 Connector: 1 x M12; coding: A; Contacts: 4, gold-plated; Moulded body: brass, Optalloy-plated



Connection



OUT1: Switching output Volumetric flow quantity monitoring
 Pulse output quantity meter
 signal output Preset counter

OUT2/InD: Switching output Volumetric flow quantity monitoring / Temperature monitoring
 analog output Volumetric flow quantity monitoring / Temperature monitoring
 Input counter reset

SU7000

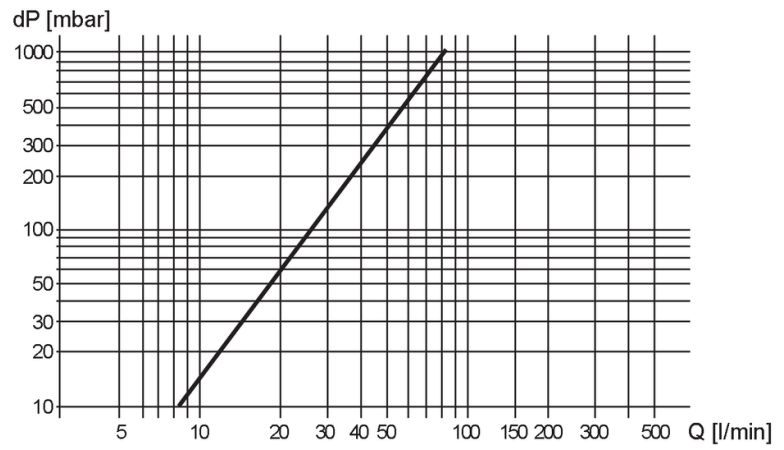
Ultrasonic flow meter

SUR34HGBFRKG/W/US-100-IPF



Diagrams and graphs

Pressure loss



dP Pressure loss

Q volumetric flow quantity