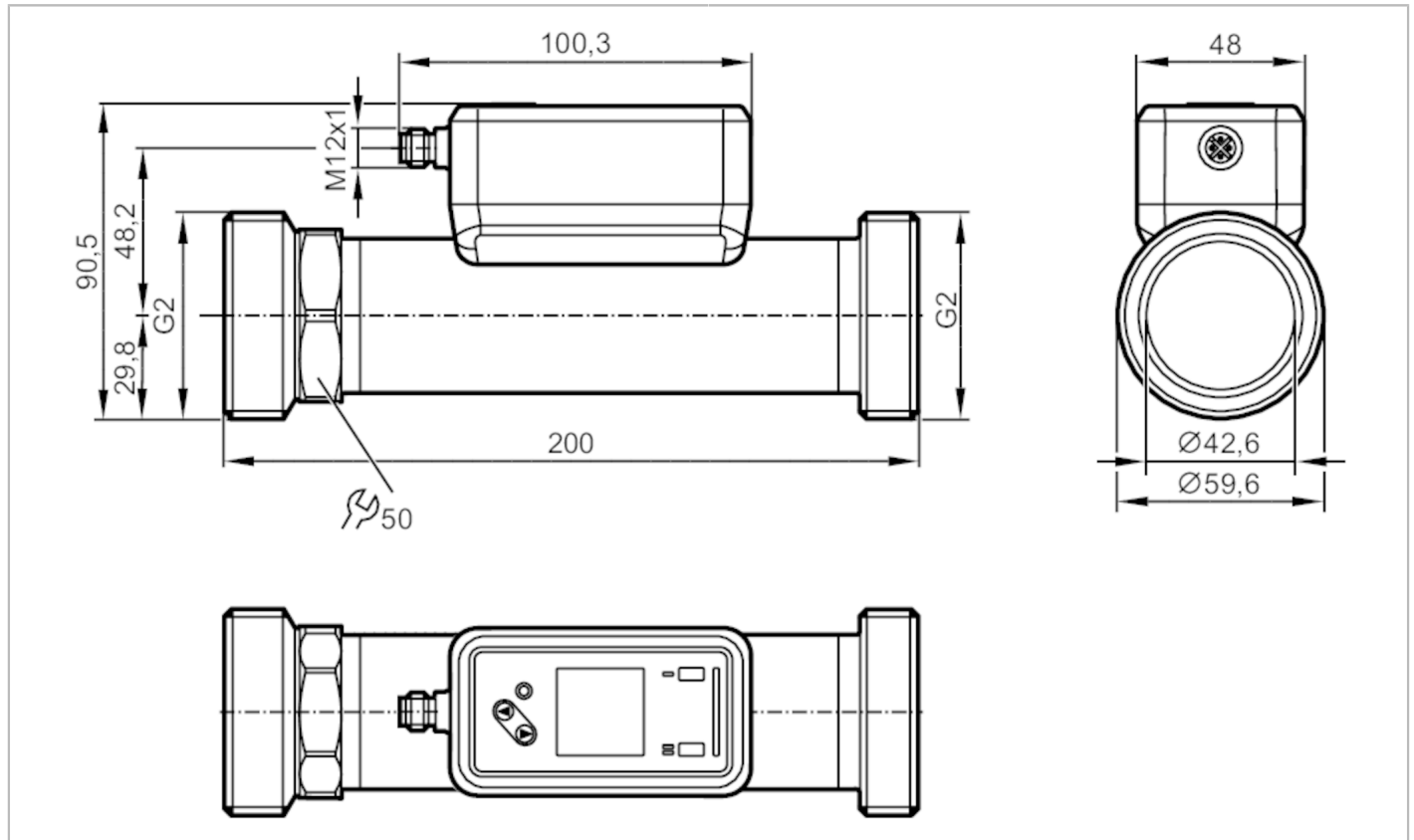


SU2020



Ultrasonic flow meter

SUR21XFBFRKG/US



ACS IO-Link KTW/W270 Reg31

Product characteristics	
Process connection	G 2 DN50 external thread
Application	
Special feature	Gold-plated contacts
Media	ultra-pure water; water; hydrous media
Note on media	hydrous media: for media with >10 % additives, the repeatability is the only available value
Medium temperature [°C]	-20...100
Min. bursting pressure	150 bar 15 MPa
Pressure rating	100 bar 10 Mpa
Vacuum resistance [mbar]	-1000
Electrical data	
Operating voltage [V]	18...32 DC; (to SELV/PELV)
Current consumption [mA]	< 75
Protection class	III
Reverse polarity protection	yes
Power-on delay time [s]	5
Measuring principle	ultrasonic
Inputs	
Inputs	counter reset



Ultrasonic flow meter

SUR21XFBFRKG/US

Outputs				
Output signal	switching signal; pulse signal; analogue signal; IO-Link; frequency signal; diagnostic signal; totaliser switching signal			
Electrical design	PNP/NPN			
Output function	normally open / normally closed; (parameterisable)			
Max. voltage drop switching output DC [V]	2			
Permanent current rating of switching output DC [mA]	100			
Switching frequency DC [Hz]	0...10000			
Analogue current output [mA]	4...20			
Max. load [Ω]	500			
Pulse output	flow rate meter			
Short-circuit protection	yes			
Type of short-circuit protection	pulsed			
Overload protection	yes			
Measuring/setting range				
Measuring range	5...1000 l/min	300...60000 l/h	0.058...11.666 m/s	0.3...60 m³/h
Display range	-1200...1200 l/min	-72000...72000 l/h	-13.999...13.999 m/s	-72...72 m³/h
Resolution	0.1 l/min	1 l/h	0.001 m/s	0.002 m³/h
Set point SP	10.5...1000 l/min	630...60000 l/h	0.122...11.666 m/s	0.63...60 m³/h
Reset point rP	5.3...994.8 l/min	318...59688 l/h	0.062...11.605 m/s	0.318...59.688 m³/h
Analogue start point ASP	-1000...800 l/min	-60000...48000 l/h	-11.666...9.333 m/s	-60...48 m³/h
Analogue end point AEP	-800...1000 l/min	-48000...60000 l/h	-9.333...11.666 m/s	-48...60 m³/h
Low flow cut-off LFC	5...50 l/min	300...3000 l/h	0.058...0.583 m/s	0.3...3 m³/h
Frequency end point, FEP	200.6...1000 l/min	12037...60000 l/h	2.34...11.666 m/s	12.037...60 m³/h
Frequency at the end point FRP [Hz]	1...10000			
Volumetric flow quantity monitoring				
Pulse length [s]	0.002...2			
Pulse value	0.1...99990000 l			
Temperature monitoring				
Measuring range [°C]	-20...100			
Display range [°C]	-44...124			
Resolution [°C]	0.1			
Set point SP [°C]	-19.6...100			
Reset point rP [°C]	-20...99.6			
Analogue start point [°C]	-20...76			
Analogue end point [°C]	4...100			
Frequency start point, FSP [°C]	-20...76			
Frequency end point, FEP [°C]	4...100			
Frequency at the end point FRP [Hz]	1...10000			



Ultrasonic flow meter

SUR21XFBFRKG/US

Accuracy / deviations		
Flow monitoring		
Accuracy (in the measuring range)		$\pm (1,0 \% MW + 0,5 \% MEW)$
Repeatability		$\pm 0,2 \% MEW$
Temperature monitoring		
Accuracy [K]		$\pm 2,5 (Q > 5 \% MEW)$
Temperature coefficient [% of the span / 10 K]		0,2
Response times		
Flow monitoring		
Response time [s]		$< 0,25; (dAP = 0, T09)$
Damping process value dAP [s]		0...5
Temperature monitoring		
Dynamic response T05 / T09 [s]		5,7 / 86
Software / programming		
Diagnostic functions		direction of flow detection; signal quality
Interfaces		
Communication interface		IO-Link
Transmission type		COM2 (38,4 kBaud)
IO-Link revision		1.1.3
SDCI standard		IEC 61131-9: 2013-07
Profiles		Identification and Diagnosis (0x4000)
Required master port type		A
Process data analogue		3
Process data binary		2
Min. process cycle time [ms]		9.6
IO-Link process data (cyclical)	function	bit length
	totaliser	32
	Flow monitoring	32
	Temperature monitoring	32
	status	4
	Output 1	1
	Output 2	1
	Supported DeviceIDs	Type of operation
	Default	1461
Operating conditions		
Ambient temperature [°C]		-20...60
Storage temperature [°C]		-25...80
Protection		IP 67
Tests / approvals		
Pressure Equipment Directive		can be used for group 2 fluids; group 1 fluids on request
Mechanical data		
Weight [g]		1180



Ultrasonic flow meter

SUR21XFBFRKG/US

Type of mounting	inlet pipe length 5xDN; outlet pipe length 1xDN
Materials	housing: stainless steel (1.4404 / 316L); Display: PFA; Sealing Display: FKM; connector: POKAN
Materials (wetted parts)	Pipe section: stainless steel (1.4404 / 316L); Process connection sealing: Centellen Flat seal
Process connection	G 2 DN50 external thread
Surface characteristics Ra/Rz of the wetted parts	1.25

Displays / operating elements

Display	colour display 1,44", 128 x 128 pixels
Switching function	2 x LED, yellow
diagnosis	1 x LED, three-colour

Accessories

Items supplied	Flat seal 2, Centellen package insert
----------------	--

Remarks

Remarks	MW = measured value
	MEW = Final value of the measuring range
	pulse and totaliser signal are only available for one of the two outputs
	the accuracy indications are adhered to over the entire application area
Pack quantity	1 pcs.

Electrical connection

Connector: 1 x M12; coding: A; Contacts: gold-plated

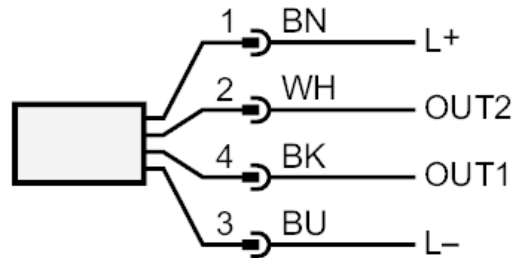




Ultrasonic flow meter

SUR21XFBFRKG/US

Connection



OUT1/IO-Link: switching output volumetric flow quantity monitoring
 switching output Temperature monitoring
 Pulse output quantity meter
 frequency output volumetric flow quantity monitoring
 frequency output Temperature monitoring
 signal output Preset counter

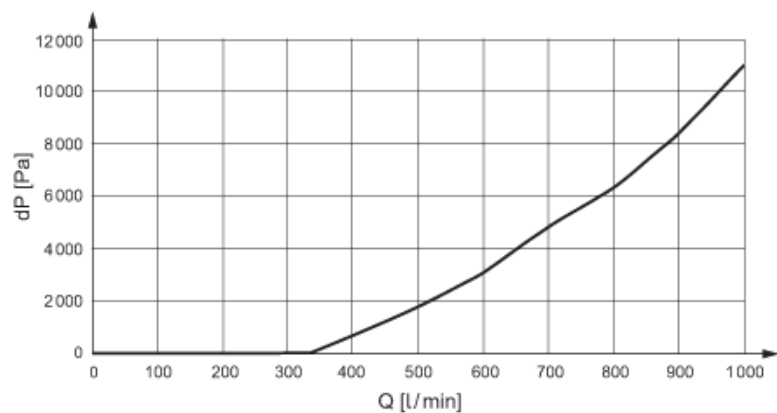
OUT2/InD: switching output volumetric flow quantity monitoring
 switching output Temperature monitoring
 Pulse output quantity meter
 analogue output flow
 analogue output temperature
 signal output Preset counter
 input counter reset

colours to DIN EN 60947-5-2

Core colours BK= black
 BN= brown
 BU= blue
 WH= white

Diagrams and graphs

Note on pressure loss



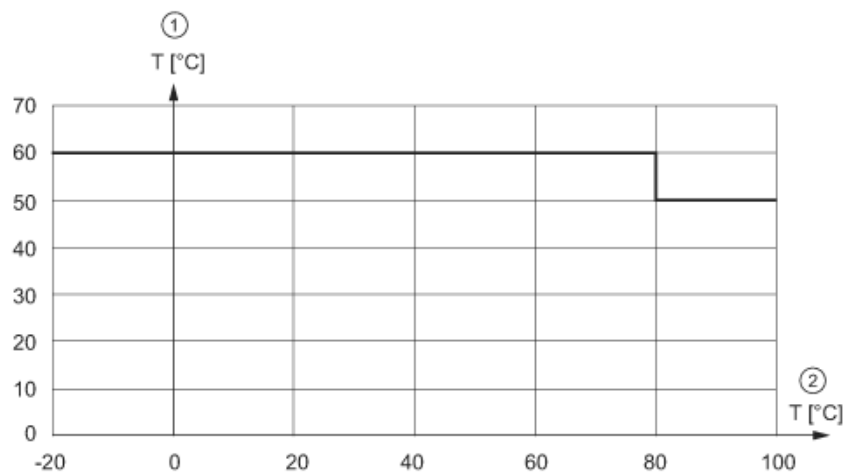
SU2020

Ultrasonic flow meter

SUR21XFBFRKG/US



derating ambient temperature



- 1 Ambient temperature
- 2 Medium temperature