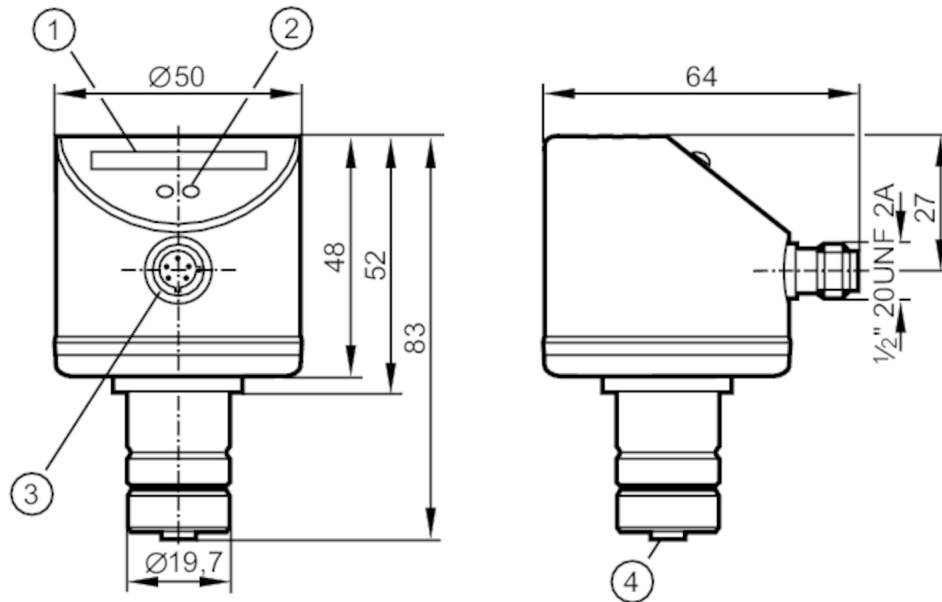


SR5906



Control monitor for flow sensors

SRM12XXAKOW/LS-100-IRF



- 1 LED bar display
- 2 setting pushbutton
- 3 connection for voltage supply and output signals
- 4 connection for flow sensor



Application

Application Flow monitoring; Wire monitoring

Electrical data

Frequency AC	[Hz]	47...63
Operating voltage tolerance	[%]	-15...10
Operating voltage	[V]	90...240 AC
Max. power consumption	[VA]	3.5
Protection class		II
Reverse polarity protection		no
Power-on delay time	[s]	10
Number of channels		1

Outputs

Electrical design	relay
Contact rating	3 A (250 V AC / 30 V DC); (switching cycles at 3 A load: 100.000; type of switch-off: normally open)
Switching cycles (mechanical)	20_Millionen
Switching function flow monitoring	output switches when flow is present: ON for output function = normally open / OFF for output function = normally closed
Short-circuit protection	no
Overload protection	no

SR5906



Control monitor for flow sensors

SRM12XXAKOW/LS-100-IRF

Software / programming		
Adjustment of the switch point		pushbutton
Operating conditions		
Ambient temperature [°C]		-20...60
Protection		IP 67; (with sensor attached)
Tests / approvals		
EMC	EN 61000-4-2 ESD	4 kV CD / 8 kV AD
	EN 61000-4-3 HF radiated	10 V/m
	EN 61000-4-4 Burst	2 kV
	EN 61000-4-6 HF conducted	10 V
Shock resistance	DIN IEC 68-2-27	30 g (6 ms)
Vibration resistance	DIN IEC 68-2-6	2 g (55...2000 Hz)
MTTF [years]		209
Mechanical data		
Weight [g]		244.5
Housing		cylindrical
Dimensions [mm]		Ø 50 / L = 83
Materials		stainless steel (316L/1.4404); stainless steel (304/1.4301); PC; PBT-GF20; EPDM/X; brass
Displays / operating elements		
Display	function	LED, bar graph
	switching status	LED, orange flash in case of wire break
Electrical connection		
Required protection		miniature fuse to IEC60127-2 sheet 1; ≤ 5 A; fast acting
Remarks		
Remarks		Connection for flow sensor without short-circuit protection / reverse polarity protection.
		The flow sensor must be directly connected to the control monitor.
		A connection by means of extension cables is not allowed.
		Recommendation Check the safe functioning of the unit after a short circuit.
Pack quantity		1 pcs.
Electrical connection		
Connector: 1 x 1/2"; coding: C		

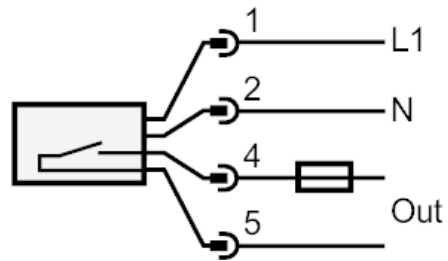
SR5906



Control monitor for flow sensors

SRM12XXAKOW/LS-100-IRF

Connection



n.c. = not used

Note miniature fuse to IEC60127-2 sheet 1 ≤ 5 A fast acting

Caution no protective insulation between relay circuit and supply voltage