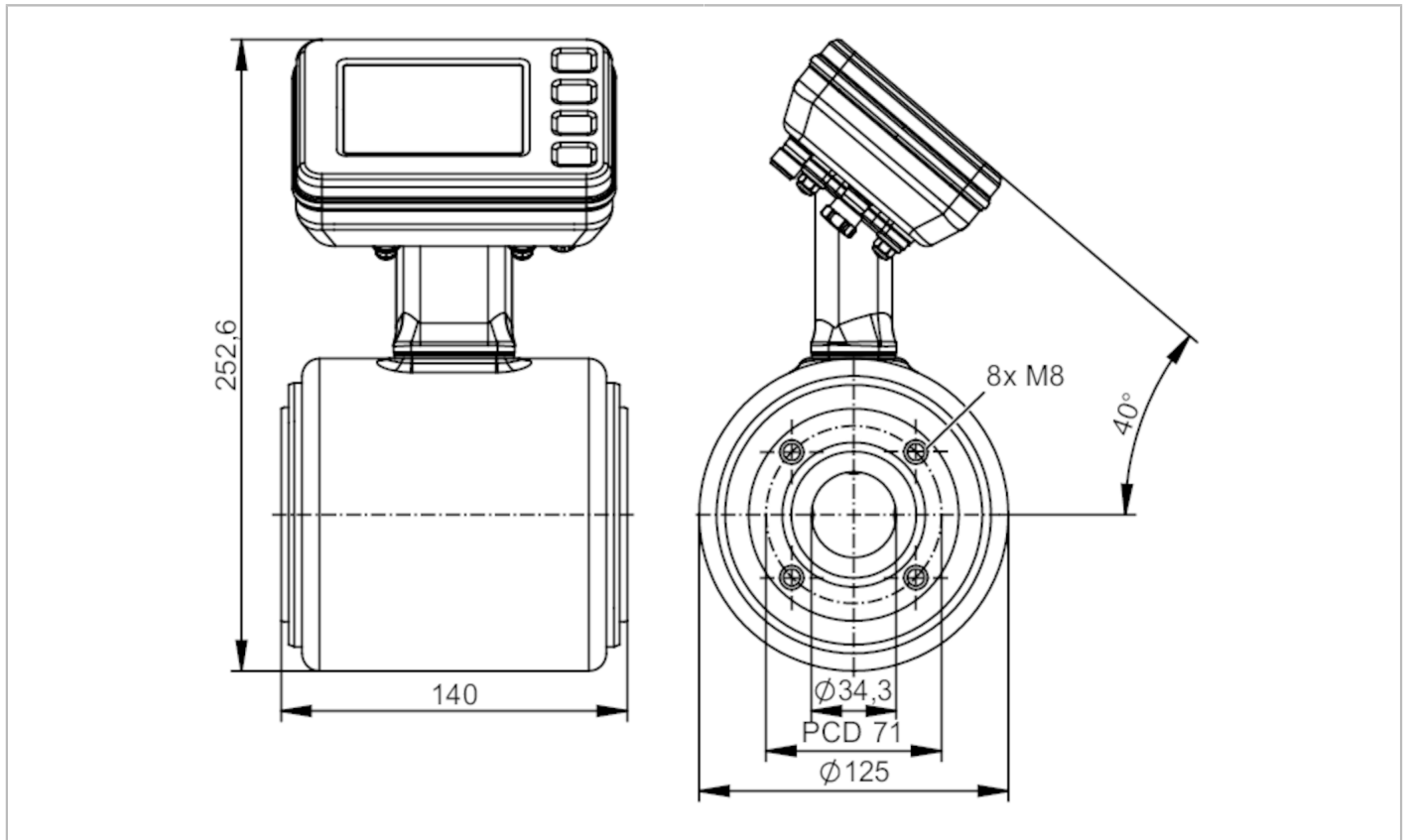


SMF320



Magnetic-inductive flow meter

SMG40KGFFRKG/USD



Product characteristics	
Measuring range	5...750 l/min 300...45000 l/h 0.07...10 m/s 0.3...45 m³/h
Nominal diameter	DN40 (1 1/2")
Process connection	ifm-specific device flange
Application	
Special feature	Gold-plated contacts
Application	food and beverage industry
Media	conductive liquids; water; hydrous media
Note on media	food products such as beer, milk, fruit juices, soft drinks, ketchup, yoghurt, yoghurt toppings, ice cream conductivity: $\geq 5 \mu\text{S/cm}$
Medium temperature [°C]	-20...150
Min. bursting pressure	60 bar 6 MPa
Pressure rating	40 bar 4 MPa
Electrical data	
Operating voltage [V]	18...32 DC
Current consumption [mA]	250; (24V)
Protection class	III
Reverse polarity protection	yes
Power-on delay time [s]	< 5
Measuring principle	magnetic-inductive

SMF320



Magnetic-inductive flow meter

SMG40KGFFRKG/USD

Inputs / outputs				
Total number of inputs and outputs	2			
Inputs				
Inputs	OUT2	external totaliser reset		
Outputs				
Total number of outputs	2			
Output signal	OUT1	pulse signal; totaliser switching signal; diagnostic signal; IO-Link		
	OUT2	analogue signal; pulse signal; totaliser switching signal; diagnostic signal		
Electrical design	PNP/NPN			
Pulse output	flow rate meter			
Short-circuit protection	yes			
Type of short-circuit protection	pulsed			
Overload protection	yes			
Analogue				
Number of analogue outputs	1			
Analogue current output [mA]	4...20; (skalierbar)			
Max. load [Ω]	500			
Resolution of analogue output	0.38 μ A			
Digital				
Number of digital outputs	2			
Max. voltage drop switching output DC [V]	2			
Permanent current rating of switching output DC [mA]	100			
Switching frequency DC [Hz]	0...10000			
Measuring/setting range				
Measuring range	5...750 l/min	300...45000 l/h	0.07...10 m/s	0.3...45 m ³ /h
Display range	-900...900 l/min	-54000...54000 l/h	-12...12 m/s	-54...54 m ³ /h
Resolution	0.01 l/min	50 l/h	0.01 m/s	0.05 m ³ /h
Note on factory setting	0...11,0 m ³ /h			
Analogue start point ASP	0...600 l/min	0...36000 l/h	0...7.95 m/s	0...36 m ³ /h
Analogue end point AEP	150...750 l/min	9000...45000 l/h	2...9.95 m/s	9...45 m ³ /h
Low flow cut-off LFC	0...600 l/min	0...36000 l/h	0...7.95 m/s	0...36 m ³ /h
Pulse length [s]	0.002...2			
Pulse value	0.002...99990000 l			
Temperature monitoring				
Measuring range [°C]	-20...150			
Display range [°C]	-20...150			
Resolution [°C]	0.01			
Analogue start point [°C]	-20...116			
Analogue end point [°C]	14...150			

SMF320



Magnetic-inductive flow meter

SMG40KGFFRKG/USD

Conductivity monitoring		
Measuring range	[μ S/cm]	100...100000
Display range	[μ S/cm]	0...100000
Resolution	[μ S/cm]	1
Analogue start point	[μ S/cm]	0...80000
Analogue end point	[μ S/cm]	20000...100000
Accuracy / deviations		
Volumetric flow monitoring		
Accuracy (in the measuring range)	with optional factory calibration (available from 2025)	$\pm (0,2 \% MW + 2 \text{ mm/s})$
	standard	$\pm (0,5 \% MW + 1,5 \text{ mm/s})$
Repeatability		0,1% MW
Temperature monitoring		
Accuracy	[K]	± 1
Repeatability	[K]	$\pm 0,5$
Conductivity monitoring		
Accuracy (in the measuring range)	in the range of 100...20000 μ S/cm	$\pm 10\% MW$
	in the range of 20000...100000 μ S/cm	$\pm 20\% MW$
Repeatability		$\pm 5\% MW$
Response times		
Volumetric flow monitoring		
Response time	[s]	< 0.3
Damping process value dAP	[s]	0...5
Temperature monitoring		
Response time	[s]	< 3; (flow velocity: $\geq 0,5\text{m/s}$)
Conductivity monitoring		
Response time	[s]	< 2
Software / programming		
Diagnostic functions		direction of flow detection; liquid detection
Interfaces		
Communication interface		IO-Link
Transmission type		COM3 (230,4 kBaud)
IO-Link revision		1.1.3
SDCI standard		IEC 61131-9
Profiles	Function class	Designation
	0x4000	Identification and Diagnosis
	0x001B	Measuring and Switching Sensor, floating point, 4 channel
SIO mode		yes
Required master port type		A
Process data analogue		6
Process data binary		8
Min. process cycle time	[ms]	1.9

SMF320



Magnetic-inductive flow meter

SMG40KGFFRKG/USD

IO-Link process data (cyclical)	function	bit length
	totaliser	32
	flow	32
	temperature	32
	conductivity	32
	status	4
IO-Link functions (acyclical)	binary switching information	
	direction of flow detection; totaliser; Speicher; operating hours counter; internal temperature; simulation function	
Supported DeviceIDs	Type of operation	DeviceID
	default	1789

Operating conditions		
Ambient temperature	[°C]	-20...65
Storage temperature	[°C]	-25...80
Protection		IP 67; IP 69

Tests / approvals		
EMC	DIN 61326-1	
Shock resistance	DIN IEC 68-2-27	20 g (18ms)
Vibration resistance	DIN IEC 68-2-6	5 g (10...2000Hz)
MTTF	[years]	81
Pressure Equipment Directive	Sound engineering practice; can be used for group 2 fluids; group 1 fluids on request	

Mechanical data		
Weight	[g]	5316.8
Inlet pipe length		5 x DN
Outlet pipe length		2 x DN
Materials	housing: stainless steel (316L/1.4404); flange: stainless steel (304/1.4301); electronics fixture: stainless steel (304/1.4301); electronics: stainless steel (316L/1.4404); Display: polysulfane; Display-Sealing: FKM; LED ring: PP	
Materials (wetted parts)	Pipe section: PFA; electrodes: stainless steel (316L/1.4435)	
Nominal diameter		DN40 (1 1/2")
Process connection		ifm-specific device flange
Surface characteristics Ra/Rz of the wetted parts		≤ 0.4 µm

Displays / operating elements		
Factory setting	m³/h; °C; µS/cm	
Display	process value	full graphics TFT display, multi-colour 3,5" 320 x 240 Pixel
		display layouts: 4
		display rotation: 4 x 90°
	operating status	LED ring, three-colour
Display unit	totaliser Display range	-999990...999990 m³
	totaliser Resolution	0,00001 m³
Language	German; English; Spanish; French; Italian; Japanese; Korean; Portuguese; Chinese	
Operating elements	4	capacitive pushbuttons

SMF320



Magnetic-inductive flow meter

SMG40KGFFRKG/USD

Remarks

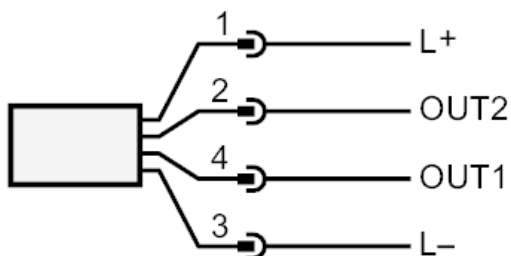
Remarks	MW = measured value
	MEW = Final value of the measuring range
	pulse and totaliser signal are only available for one of the two outputs
	reference conditions : water , 15...35 °C, inlet pipe length: 10 x DN, outlet pipe length: 5 x DN
Pack quantity	1 pcs.

Electrical connection

Connector: 1 x M12; coding: A; Contacts: gold-plated



Connection



- 1: L+
- 2: OUT2 DO, AO, reset
- 3: L-
- 4: OUT1 DO, IO-Link