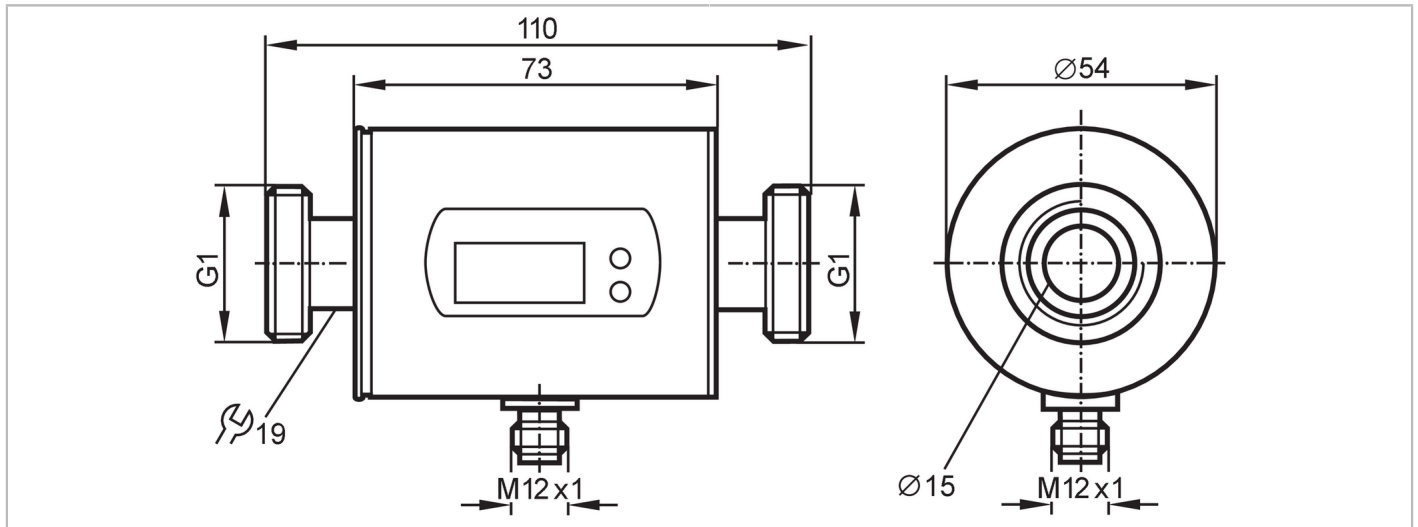


SM8100



Magnetic-inductive flow meter

SMR11GGXFRKG/US-100



ACS CE PA CRN cUL^{us} LISTED DNV DNV.COM/AF IO-Link KTW/W270 Reg31 UK CA

Product characteristics	
Number of inputs and outputs	Number of digital outputs: 2; Number of analogue outputs: 1
Measuring range	0.2...100 l/min 0.01...6 m ³ /h
Process connection	threaded connection G 1 external thread DN25 flat seal
Application	
Special feature	Gold-plated contacts
Application	totaliser function; for industrial applications
Installation	connection to pipe by means of an adapter
Media	conductive liquids; water; hydrous media
Note on media	conductivity: ≥ 20 μS/cm viscosity: < 70 mm ² /s (40 °C)
Medium temperature [°C]	-10...70
Pressure rating	16 bar 1.6 MPa
MAWP for applications according to CRN	10.4 bar 1.04 MPa
Electrical data	
Operating voltage [V]	18...30 DC; (to SELV/PELV)
Current consumption [mA]	95; (24 V)
Protection class	III
Reverse polarity protection	yes
Power-on delay time [s]	5
Measuring principle	magnetic-inductive
Inputs / outputs	
Number of inputs and outputs	Number of digital outputs: 2; Number of analogue outputs: 1
Inputs	
Inputs	counter reset
Outputs	
Total number of outputs	2
Output signal	switching signal; analogue signal; pulse signal; IO-Link; (configurable)

SM8100



Magnetic-inductive flow meter

SMR11GGXFRKG/US-100

Electrical design		PNP/NPN
Number of digital outputs		2
Output function		normally open / normally closed; (parameterisable)
Max. voltage drop switching output DC [V]		2
Permanent current rating of switching output DC [mA]		200
Number of analogue outputs		1
Analogue current output [mA]		4...20; (scalable)
Max. load [Ω]		500
Analogue voltage output [V]		0...10; (scalable)
Min. load resistance [Ω]		2000
Pulse output		flow rate meter
Short-circuit protection		yes
Type of short-circuit protection		pulsed
Overload protection		yes

Measuring/setting range

Measuring range	0.2...100 l/min	0.01...6 m ³ /h
Display range	-120...120 l/min	-7.2...7.2 m ³ /h
Resolution	0.1 l/min	0.005 m ³ /h
Set point SP	0.7...100 l/min	0.04...6 m ³ /h
Reset point rP	0.2...99.5 l/min	0.01...5.97 m ³ /h
Analogue start point ASP	0...80 l/min	0...4.8 m ³ /h
Analogue end point AEP	20...100 l/min	1.2...6 m ³ /h
In steps of	0.1 l/min	0.005 m ³ /h

Volumetric flow quantity monitoring

Pulse value		0.00001...100 000 m ³
Pulse length [s]		0,0025...2

Temperature monitoring

Measuring range [°C]		-20...80
Resolution [°C]		0.2
Set point SP [°C]		-19.2...80
Reset point rP [°C]		-19.6...79.6
Analogue start point [°C]		-20...60
Analogue end point [°C]		0...80
In steps of [°C]		0.2

Accuracy / deviations

Flow monitoring

Accuracy (in the measuring range)		$\pm (0,8 \% MW + 0,5 \% MEW)$
Repeatability		$\pm 0,2\% MEW$

Temperature monitoring

Accuracy [K]		$\pm 2,5 (Q > 5 \text{ l/min})$
--------------	--	---------------------------------

SM8100



Magnetic-inductive flow meter

SMR11GGXFRKG/US-100

Response times		
Flow monitoring		
Response time	[s]	0.15; (dAP = 0, T19)
Delay time programmable dS, dr	[s]	0...50
Damping process value dAP	[s]	0...5
Temperature monitoring		
Dynamic response T05 / T09	[s]	T09 = 20 (Q > 5 l/min)
Software / programming		
Parameter setting options	Flow monitoring; quantity meter; Preset counter; Temperature monitoring; hysteresis / window; normally open / normally closed; switching logic; current/voltage/pulse output; start-up delay; display can be deactivated; Display unit	
Interfaces		
Communication interface	IO-Link	
Transmission type	COM2 (38,4 kBaud)	
IO-Link revision	1.1	
SDCI standard	IEC 61131-9	
Profiles	Smart Sensor - SSP 0	Generic Profiled Sensor
	Function	Device identification
	Function	Process data variable
	Function	Device diagnosis
SIO mode	yes	
Required master port type	A	
Process data analogue	3	
Process data binary	2	
Min. process cycle time	[ms]	5
Supported DeviceIDs	Type of operation	DeviceID
	default	575
Operating conditions		
Ambient temperature	[°C]	-10...60
Storage temperature	[°C]	-25...80
Protection		IP 67
Tests / approvals		
EMC	DIN EN 60947-5-9	
CPA approval	model number	002MI
	accuracy class	-
	maximum allowable error	± 1,5 % FS
	Q (min)	0,01 m³/h
	Q (t)	-
	Q (max)	6 m³/h
Shock resistance	DIN IEC 68-2-27	20 g (11 ms)
Vibration resistance	DIN IEC 68-2-6	5 g (10...2000 Hz)
MTTF	[years]	145
Pressure Equipment Directive	Sound engineering practice; can be used for group 2 fluids; group 1 fluids on request	

SM8100



Magnetic-inductive flow meter

SMR11GGXFRKG/US-100

Mechanical data	
Weight [g]	640
Housing	cylindrical
Inlet pipe length	3 x DN
Outlet pipe length	1 x DN
Dimensions [mm]	Ø 54 / L = 110
Materials	stainless steel (316L/1.4404); PBT-GF20; PC; FKM; TPE
Materials (wetted parts)	stainless steel (316L/1.4404); PEEK; EPDM
Process connection	threaded connection G 1 external thread DN25 flat seal

Displays / operating elements		
Display	Display unit	6 x LED, green (l/min, m ³ /h, l, m ³ , 10 ³ , °C)
	switching status	2 x LED, yellow
	measured values	alphanumeric display, 4-digit
	programming	alphanumeric display, 4-digit

Remarks	
Remarks	MW = measured value MEW = Final value of the measuring range
Pack quantity	1 pcs.

Electrical connection

Connector: 1 x M12; coding: A; Contacts: gold-plated



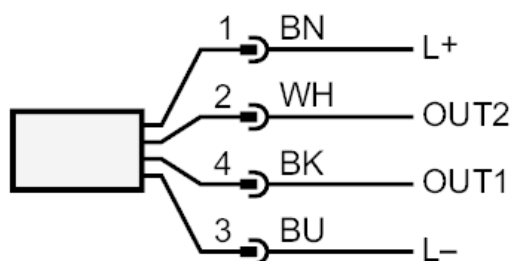
SM8100



Magnetic-inductive flow meter

SMR11GGXFRKG/US-100

Connection



OUT1: colours to DIN EN 60947-5-2
switching output volumetric flow quantity monitoring
Pulse output quantity meter
signal output Preset counter
IO-Link

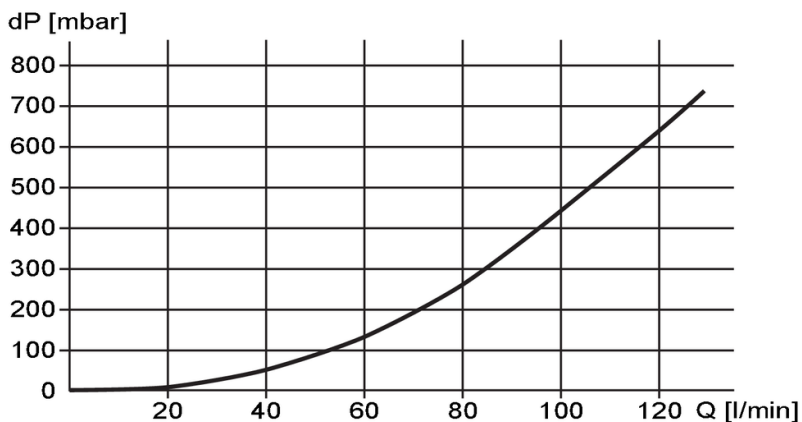
OUT2: switching output volumetric flow quantity monitoring
switching output Temperature monitoring
analogue output volumetric flow quantity monitoring
analogue output Temperature monitoring
input counter reset

Core colours :

BK = black
BN = brown
BU = blue
WH = white

Diagrams and graphs

Pressure loss



dP Pressure loss

Q volumetric flow quantity