

SM7621

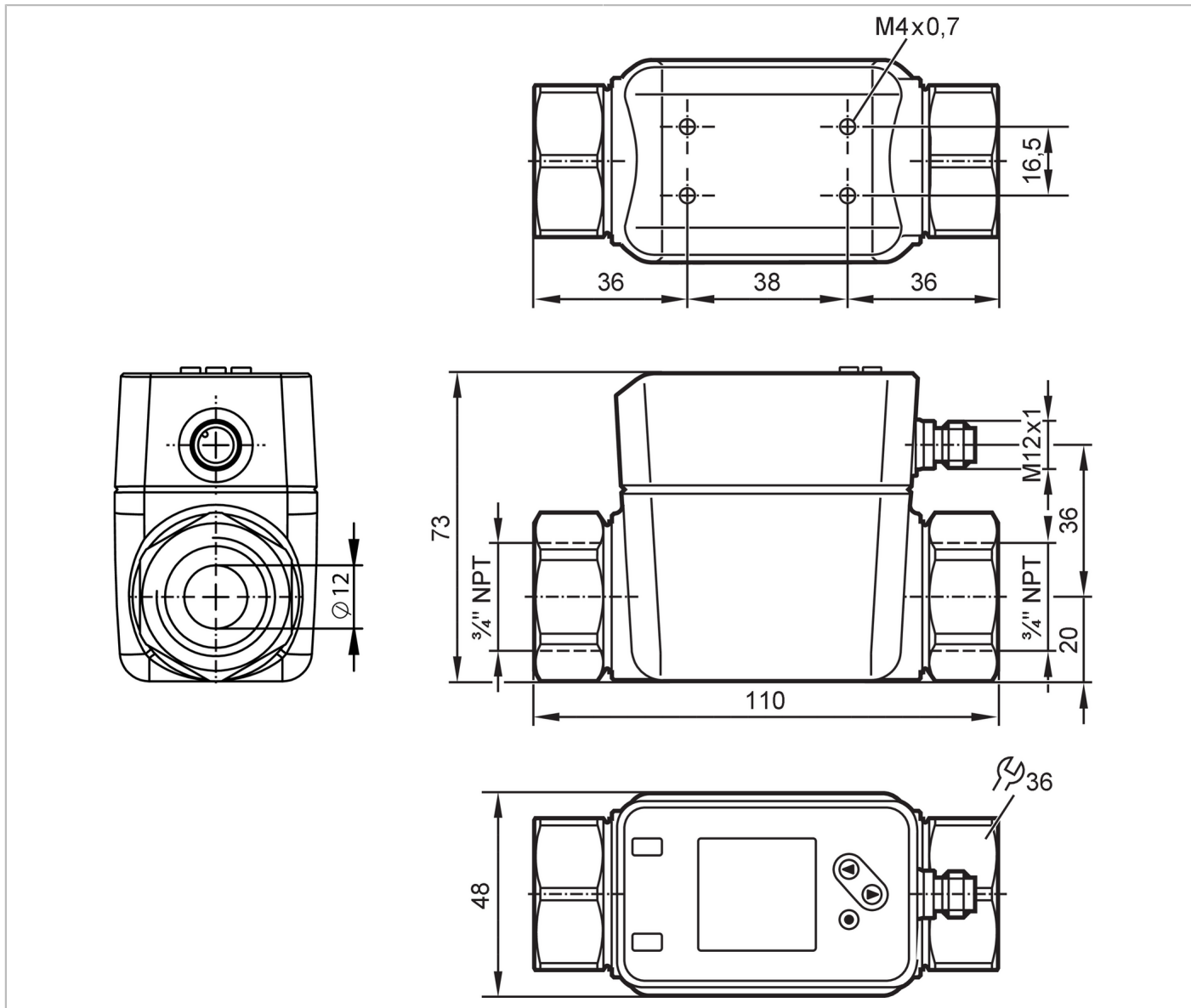


Magnetic-inductive flow meter

SMN34XGXFRKG/US-100

Alternative articles: SM7601

When selecting an alternative article and accessories please note that technical data may differ!



Product characteristics

Number of inputs and outputs	Number of digital outputs: 2; Number of analogue outputs: 1			
Measuring range	0.1...75 l/min	0.006...4.5 m ³ /h	1.2...1190 gph	0.02...19.82 gpm
Process connection	threaded connection 3/4" NPT internal thread DN20			

Application

Special feature	Gold-plated contacts		
Media	conductive liquids; water; hydrous media		
Note on media	conductivity: ≥ 20 μS/cm viscosity: < 70 mm ² /s (40 °C)		
Medium temperature [°F]	-4...194		
Pressure rating	16 bar	1.6 MPa	

SM7621



Magnetic-inductive flow meter

SMN34XGXFRKG/US-100

Electrical data					
Operating voltage	[V]	18...30 DC; (to SELV/PELV)			
Current consumption	[mA]	< 80			
Protection class		III			
Reverse polarity protection		yes			
Power-on delay time	[s]	5			
Measuring principle		magnetic-inductive			
Inputs / outputs					
Number of inputs and outputs		Number of digital outputs: 2; Number of analogue outputs: 1			
Inputs					
Inputs		counter reset			
Outputs					
Total number of outputs		2			
Output signal		switching signal; analogue signal; pulse signal; IO-Link; frequency signal; (configurable)			
Electrical design		PNP/NPN			
Number of digital outputs		2			
Output function		normally open / normally closed; (parameterisable)			
Max. voltage drop switching output DC	[V]	2			
Permanent current rating of switching output DC	[mA]	100			
Number of analogue outputs		1			
Analogue current output	[mA]	4...20; (scalable)			
Max. load	[Ω]	500			
Pulse output		flow rate meter			
Short-circuit protection		yes			
Type of short-circuit protection		pulsed			
Overload protection		yes			
Measuring/setting range					
Measuring range		0.1...75 l/min	0.006...4.5 m ³ /h	1.2...1190 gph	0.02...19.82 gpm
Display range		-90...90 l/min	-5.4...5.4 m ³ /h	-1426.8...1426.8 gph	-23.78...23.78 gpm
Resolution		0.1 l/min	0.006 m ³ /h	0.6 gph	0.01 gpm
Set point SP		0.5...75 l/min	0.03...4.5 m ³ /h	8.4...1189 gph	0.14...19.81 gpm
Reset point rP		0.1...74.6 l/min	0.006...4.48 m ³ /h	1.2...1183 gph	0.03...19.71 gpm
Analogue start point ASP		0...59.9 l/min	0...3.6 m ³ /h	0...950 gph	0...15.82 gpm
Analogue end point AEP		15.1...75 l/min	0.9...4.5 m ³ /h	240...1189 gph	3.99...19.81 gpm
Low flow cut-off LFC		0.1...3.8 l/min	0.006...0.23 m ³ /h	1.8...59.4 gph	0.03...0.99 gpm
Frequency end point, FEP		15.1...75 l/min	0.9...4.5 m ³ /h	240...1189 gph	3.99...19.81 gpm
Frequency at the end point FRP	[Hz]	1...10000			
Volumetric flow quantity monitoring					
Pulse length	[s]	0.003...2			
Pulse value		0.01...99990000 l			

SM7621



Magnetic-inductive flow meter

SMN34XGXFRKG/US-100

Temperature monitoring		
Measuring range	[°F]	-4...194
Display range	[°F]	-43.6...233.6
Resolution	[°F]	0.1
Set point SP	[°F]	-3.3...194
Reset point rP	[°F]	-4...193.3
Analogue start point	[°F]	-4...154.4
Analogue end point	[°F]	35.6...194
In steps of	[°F]	0.1
Accuracy / deviations		
Flow monitoring		
Accuracy (in the measuring range)		± (0,8 % MW + 0,2 % MEW)
Repeatability		± 0,2 % MEW
Temperature monitoring		
Accuracy	[K]	± 2,5 (Q > 5 % MEW)
Response times		
Flow monitoring		
Start-up delay	[s]	0...50
Response time	[s]	< 0.25; (dAP = 0, T09)
Damping process value dAP	[s]	0...5
Temperature monitoring		
Response time	[s]	15; (Q > 10 % MEW, T09)
Software / programming		
Parameter setting options	hysteresis / window; normally open / normally closed; switching logic; frequency output; current/pulse output; start-up delay; display can be deactivated; Display unit	
Interfaces		
Communication interface	IO-Link	
Transmission type	COM2 (38,4 kBaud)	
IO-Link revision	1.1	
SDCI standard	IEC 61131-9	
Profiles	Common - I&D	Identification and Diagnosis
	Function	Measurement data, standard resolution
SIO mode	yes	
Required master port type	A	
Process data analogue	3	
Process data binary	2	
Min. process cycle time	[ms]	8
Supported DeviceIDs	Type of operation	DeviceID
	default	958
Operating conditions		
Ambient temperature	[°F]	-4...140
Storage temperature	[°F]	-13...176
Protection	IP 65; IP 67	

SM7621



Magnetic-inductive flow meter

SMN34XGXFRKG/US-100

Tests / approvals		
EMC	DIN EN 60947-5-9	
Shock resistance	DIN IEC 68-2-27	20 g (11 ms)
Vibration resistance	DIN IEC 68-2-6:	5 g (10...2000 Hz)
MTTF [years]		114
UL approval	UL approval no.	I014
	File number UL	E174189
Pressure Equipment Directive	Sound engineering practice; can be used for group 2 fluids; group 1 fluids on request	

Mechanical data		
Weight [g]		848.9
Housing		rectangular
Dimensions [mm]		110 x 48 x 73
Materials	stainless steel (316/1.4408); stainless steel (316L/1.4404); PC; PBT+PC-GF30	
Materials (wetted parts)	stainless steel (316L/1.4404); PEEK; carbon fibre PEEK; FKM	
Process connection	threaded connection 3/4" NPT internal thread DN20	

Displays / operating elements		
Display		colour display 1,44", 128 x 128 pixels
		2 x LED, yellow

Remarks		
Remarks		MW = measured value
		MEW = Final value of the measuring range
Pack quantity		1 pcs.

Electrical connection

Connector: 1 x M12; coding: A; Contacts: 4, gold-plated



SM7621



Magnetic-inductive flow meter

SMN34XGXFRKG/US-100

Connection



OUT1:	colours to DIN EN 60947-5-2 switching output volumetric flow quantity monitoring switching output Temperature monitoring Pulse output quantity meter frequency output volumetric flow monitoring frequency output Temperature monitoring signal output Preset counter IO-Link
OUT2:	switching output volumetric flow quantity monitoring switching output Temperature monitoring analogue output flow analogue output temperature input counter reset Core colours :
BK =	black
BN =	brown
BU =	blue
WH =	white

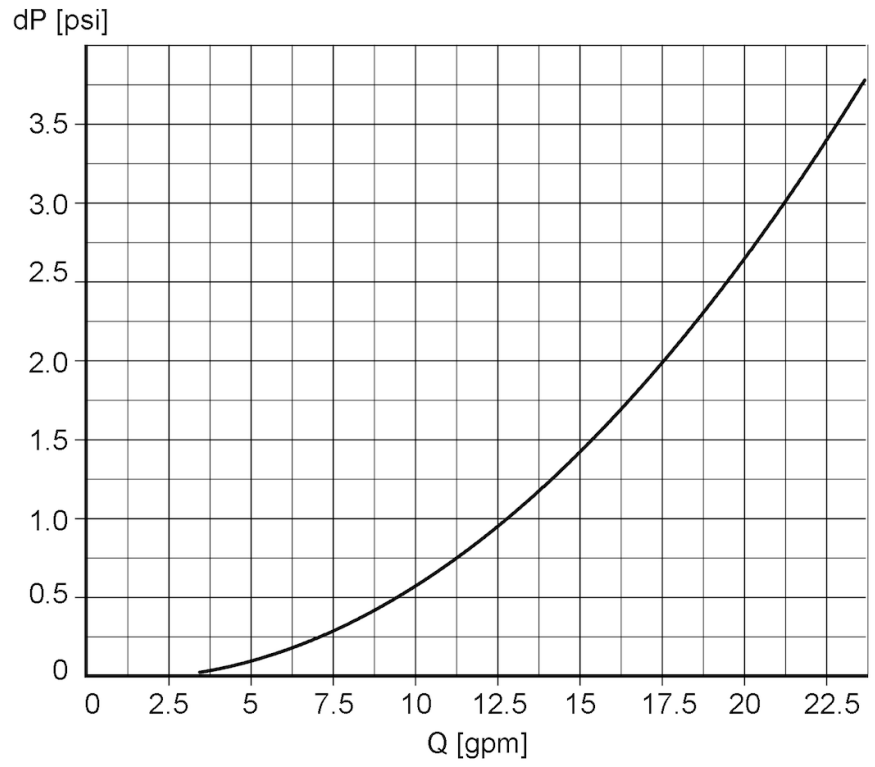
SM7621

Magnetic-inductive flow meter

SMN34XGXFRKG/US-100



Diagrams and graphs



Pressure loss / volumetric flow quantity