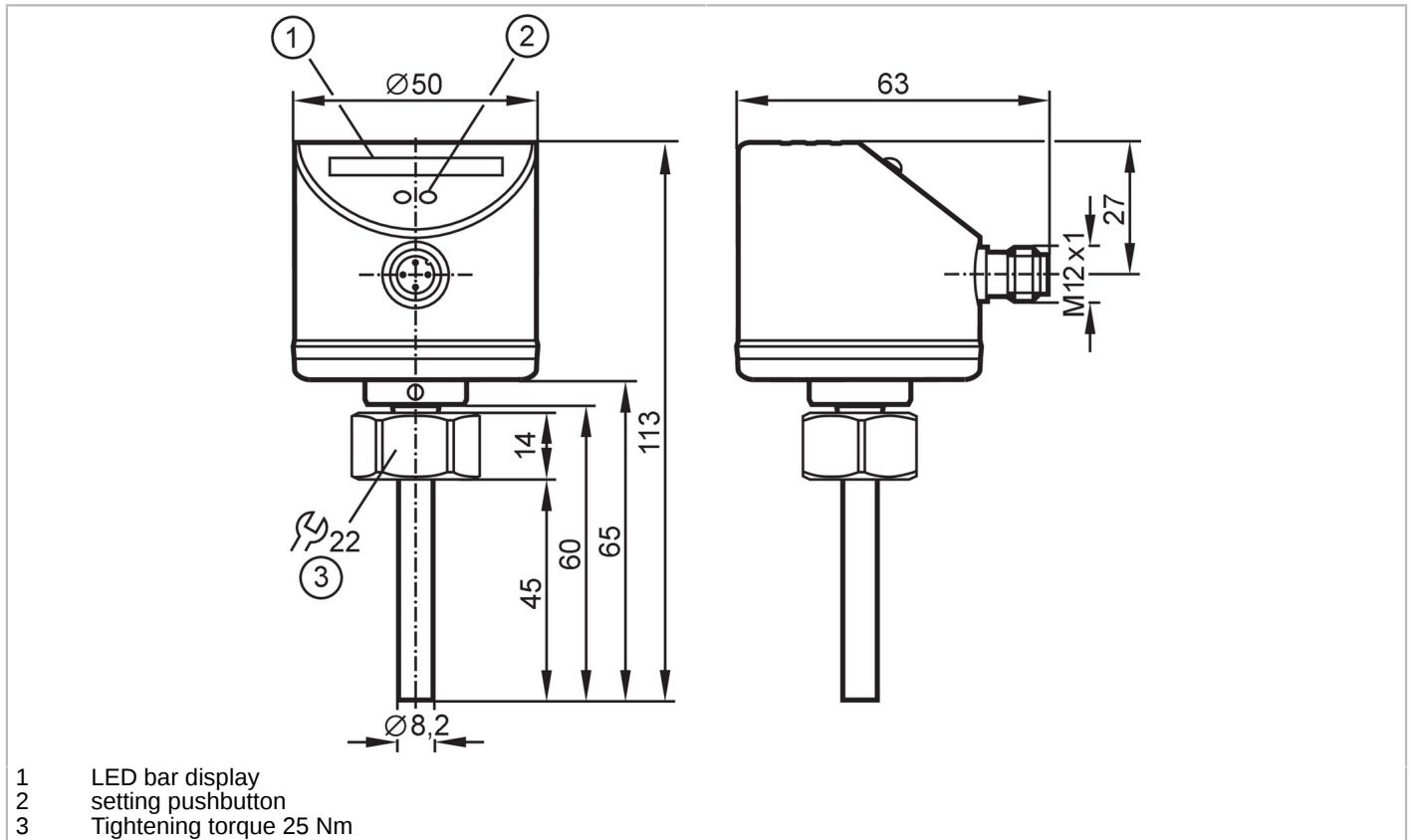


SI5004



Flow transmitter

SID10ADB100G/



- 1 LED bar display
- 2 setting pushbutton
- 3 Tightening torque 25 Nm



Product characteristics

Number of inputs and outputs	Number of analogue outputs: 1
Process connection	threaded connection M18 x 1,5 internal thread

Application

Media	Liquids	
Medium temperature [°C]	-25...80	
Pressure rating	300 bar	30 MPa
MAWP for applications according to CRN [bar]	208	

Liquids

Medium temperature [°C]	-25...80
-------------------------	----------

Electrical data

Operating voltage [V]	19...36 DC
Current consumption [mA]	< 60
Protection class	III
Reverse polarity protection	yes
Power-on delay time [s]	10

Inputs / outputs

Number of inputs and outputs	Number of analogue outputs: 1
------------------------------	-------------------------------

Outputs

Total number of outputs	1
-------------------------	---

SI5004



Flow transmitter

SID10ADB100G/

Output signal	analogue signal
Number of analogue outputs	1
Analogue current output [mA]	4...20
Max. load [Ω]	500
Overload protection	yes

Measuring/setting range

Probe length L [mm]	45
Liquids	
Setting range [cm/s]	3...300
Greatest sensitivity [cm/s]	3...100

Accuracy / deviations

Repeatability [cm/s]	1...5
Note on repeatability	for water 5...100 cm/s; 25 °C Factory setting
Temperature drift [cm/s x 1/K]	0.1; (for water 5...100 cm/s; 10...70 °C)
Measuring error [% of the final value]	$\pm 2... \pm 10$

Response times

Response time [s]	1...10
Liquids	
Response time [s]	1...10

Operating conditions

Ambient temperature [°C]	-25...80
Storage temperature [°C]	-25...100
Protection	IP 67

Tests / approvals

EMC	DIN EN 61000-6-2	
	DIN EN 61000-6-3	
Shock resistance	DIN EN 60068-2-27	50 g (11 ms)
Vibration resistance	DIN EN 60068-2-6	20 g (55...2000 Hz)
MTTF [years]		259

Mechanical data

Weight [g]	230
Housing	cylindrical
Dimensions [mm]	$\varnothing 50 / L = 113$
Materials	stainless steel (316L/1.4404); stainless steel (304/1.4301); PC; PBT-GF20; EPDM/X
Materials (wetted parts)	stainless steel (316L/1.4404); O-ring: FKM 80 Shore A
Process connection	threaded connection M18 x 1,5 internal thread
Probe diameter [mm]	8.2
Installation length EL [mm]	45

Displays / operating elements

Display	function	10 x LED, three-colour
---------	----------	------------------------

SI5004



Flow transmitter

SID10ADB100G/

Remarks

Pack quantity

1 pcs.

Electrical connection

Connector: 1 x M12; coding: A; Contacts: 4



Connection

