

# SF1210

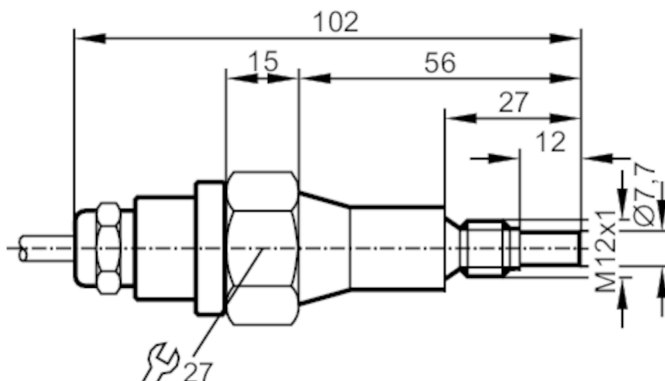


## Flow sensor for connection to an evaluation unit

SFM12ABBE0

Article no longer available - archive entry

replaced by: SF111A



### Product characteristics

Process connection M12 x 1

### Application

Application Ex zone 0

Medium temperature [°C] -20...60

Pressure rating [bar] 300

### Liquids

Application Ex zone 0

Medium temperature [°C] -20...60

### Gases

Medium temperature [°C] -20...60

### Electrical data

Connection to control monitor VS 0200 Ex i

### Measuring/setting range

#### Liquids

Setting range [cm/s] 3...300

Greatest sensitivity [cm/s] 3...60

#### Gases

Setting range [cm/s] 200...2000

Greatest sensitivity [cm/s] 200...800

### Accuracy / deviations

Temperature gradient [K/min] 15

### Response times

Response time [s] 1...10

#### Liquids

Response time [s] 1...10

#### Gases

Response time [s] 1...10

# SF1210

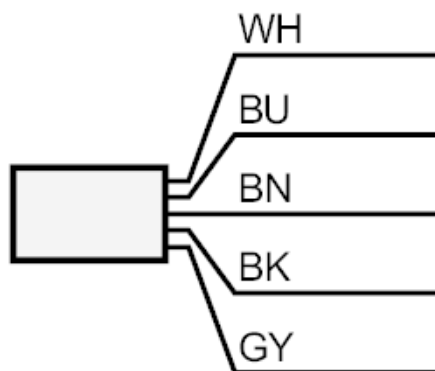


## Flow sensor for connection to an evaluation unit

SFM12ABBE0

Operating conditions	
Protection	IP 67
Mechanical data	
Housing	threaded type
Dimensions [mm]	M12 x 1
Thread designation	M12 x 1
Materials	stainless steel (1.4571/316Ti)
Materials (wetted parts)	stainless steel (1.4571/316Ti)
Process connection	M12 x 1
Remarks	
Pack quantity	1 pcs.
Electrical connection	
Cable: 2 m, TPE-S; Maximum cable length: 100 m; 5 x 0.34 mm <sup>2</sup>	

### Connection



Core colours :

BN =	brown
BU =	blue
BK =	black
WH =	white
GY =	grey

Article no longer available - archive entry

replaced by: SF111A