

SD6000



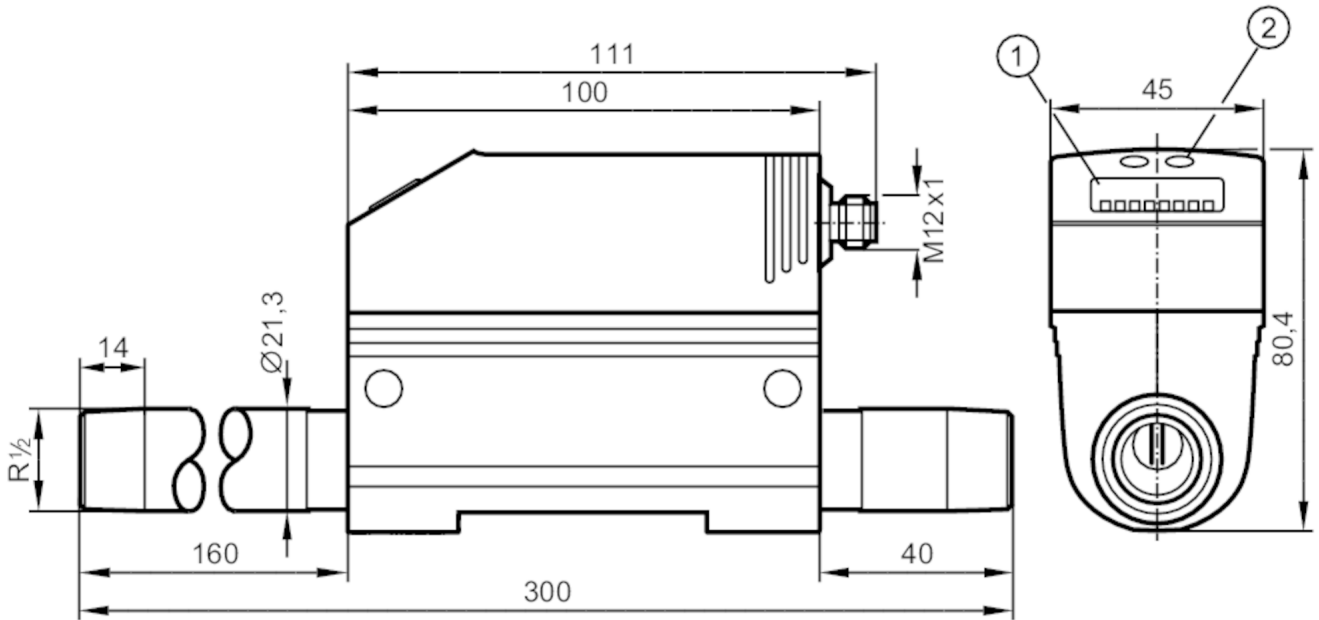
Compressed air meter

SDR12DGXFPKG/US-100

discontinued article

Alternative articles: SD6500

When selecting an alternative article and accessories please note that technical data may differ!



- 1 alphanumeric display 4-digit
- 2 programming buttons



Product characteristics

Number of inputs and outputs	Number of digital outputs: 2; Number of analogue outputs: 1		
Measuring range	10...1250 l/min	0.3...103.6 m/s	0.2...75 m³/h
Process connection	threaded connection R 1/2 DN15		

Application

Application	for industrial applications
Media	compressed air
	air quality ISO 8573-1
Note on media	class 141
	class 344
Medium temperature [°C]	0...60
Pressure rating [bar]	16
Pressure rating [Mpa]	1.6
MAWP (for applications according to CRN) [bar]	16

SD6000



Compressed air meter

SDR12DGXFPKG/US-100

Electrical data				
Operating voltage	[V]	18...30 DC; (according to EN 50178 SELV/PELV)		
Current consumption	[mA]	< 110		
Protection class		III		
Reverse polarity protection		yes		
Power-on delay time	[s]	1		
Inputs / outputs				
Number of inputs and outputs		Number of digital outputs: 2; Number of analogue outputs: 1		
Outputs				
Total number of outputs		2		
Output signal		switching signal; analogue signal; pulse signal; IO-Link; (configurable)		
Electrical design		PNP		
Number of digital outputs		2		
Output function		normally open / normally closed; (parameterisable)		
Max. voltage drop switching output DC	[V]	2		
Permanent current rating of switching output DC	[mA]	250; (per output)		
Number of analogue outputs		1		
Analogue current output	[mA]	4...20; (scalable)		
Max. load	[Ω]	500		
Pulse output		consumed quantity meter		
Short-circuit protection		yes		
Type of short-circuit protection		pulsed		
Overload protection		yes		
Measuring/setting range				
Measuring range		10...1250 l/min	0.3...103.6 m/s	0.2...75 m³/h
Display range		0...1500 l/min	0...124.3 m/s	0...90 m³/h
Set point SP		10...1250 l/min	0.8...103.6 m/s	0.6...75 m³/h
Reset point rP		4...1244 l/min	0.3...103.1 m/s	0.2...74.6 m³/h
Analogue start point ASP		0...938 l/min	0...77.7 m/s	0...56.3 m³/h
Analogue end point AEP		312...1250 l/min	25.9...103.6 m/s	18.7...75 m³/h
In steps of		1 l/min	0.1 m/s	0.1 m³/h
Volumetric flow quantity monitoring				
Pulse value		0.001...1000000 m³		
In steps of		0.001 m³		
Pulse length	[s]	0,02...2		
Temperature monitoring				
Measuring range	[°C]	0...60		
Display range	[°C]	-12...72		
Accuracy / deviations				
Flow monitoring				
Repeatability		± 1,5		

SD6000



Compressed air meter

SDR12DGXFPKG/US-100

	[% of the measured value]	
Accuracy (in the measuring range)		$\pm (3 \% \text{ MW} + 0,3 \% \text{ MEW}) / \pm (6 \% \text{ MW} + 0,6 \% \text{ MEW})$; (class 141 /; class 344; conditions: installation to DIN ISO 2533; installation in pipes: DN15)
Temperature monitoring		
Accuracy	[K]	± 2 ; (medium flow in the limit area of the flow measurement range)
Response times		
Flow monitoring		
Response time	[s]	0.1; (dAP = 0)
Damping for the switching output dAP in steps	[s]	0 - 0,2 - 0,4 - 0,6 - 0,8 - 1
Software / programming		
Parameter setting options		Flow monitoring; quantity meter; Preset counter; Temperature monitoring; hysteresis / window; normally open / normally closed; current/pulse output; display can be rotated and switched off; Display unit; totaliser
Interfaces		
Communication interface		IO-Link
Transmission type		COM2 (38,4 kBaud)
IO-Link revision		1.1
SDCI standard		IEC 61131-9 CDV
Profiles		no profile
SIO mode		yes
Required master port type		A
Process data analogue		3
Process data binary		2
Min. process cycle time	[ms]	4.1
Supported DeviceIDs	Type of operation	DeviceID
	Default	262
Operating conditions		
Ambient temperature	[°C]	0...60
Storage temperature	[°C]	-20...85
Max. relative air humidity	[%]	90
Protection		IP 65
Tests / approvals		
EMC	DIN EN 61000-6-2	
	DIN EN 61000-6-3	
CPA approval	model number	002TG
	accuracy class	-
	maximum allowable error	$\pm 4 \% \text{ FS}$
	Q (min)	0,2 m ³ /h
	Q (t)	-
	Q (max)	75 m ³ /h
Vibration resistance	DIN EN 68000-2-6	5 g (55...2000 Hz)
MTTF	[years]	227
Pressure Equipment Directive		Sound engineering practice; can be used for group 2 fluids; group 1 fluids on request

SD6000



Compressed air meter

SDR12DGXFPKG/US-100

Mechanical data	
Weight [g]	942.5
Materials	PBT-GF20; NBR; PC; stainless steel (1.4301 / 304); PTFE; brass coated; FKM; aluminium powder-coated
Materials (wetted parts)	stainless steel (1.4301 / 304); FKM; ceramics glass passivated; PEEK GF30; polyester; aluminium
Tightening torque [Nm]	50
Process connection	threaded connection R 1/2 DN15

Displays / operating elements		
Display	Display unit	5 x LED, green (NI/min, Nm ³ /h, Nm/s, Nm ³ , °C)
	function display	1 x LED, green
	switching status	2 x LED, yellow
	measured values	alphanumeric display, 4-digit
	programming	alphanumeric display, 4-digit

Remarks	
Remarks	MW = measured value
	MEW = Final value of the measuring range
	Measuring, display and setting ranges refer to the standard volume flow according to DIN ISO 2533.
	For information about installation and operation please see the operating instructions.
Pack quantity	1 pcs.

Electrical connection

Connector: 1 x M12



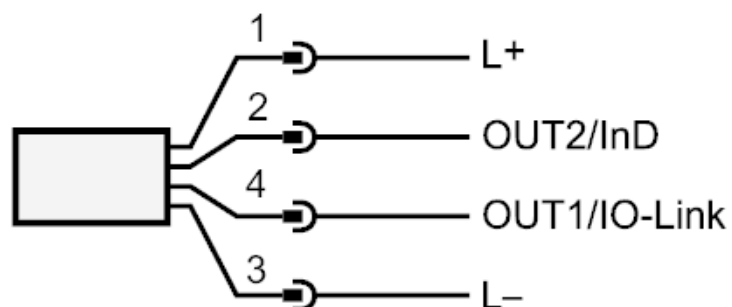
SD6000



Compressed air meter

SDR12DGXFPKG/US-100

Connection



OUT1/IO-Link: switching output volumetric flow quantity monitoring

Pulse output quantity meter

signal output Preset counter

OUT2/InD: switching output volumetric flow quantity monitoring / Temperature monitoring

analogue output volumetric flow quantity monitoring / Temperature monitoring

input counter reset