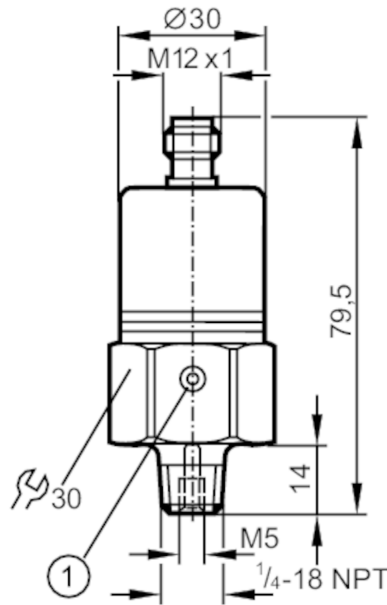


PX3234



Pressure transmitter with ceramic measuring cell

PA-020PRBN14-A-ZVG/US/ IV



1 ventilation



Product characteristics

Number of inputs and outputs	Number of analogue outputs: 1	
Measuring range	0...200 psi	0...1380 kPa
Process connection	threaded connection 1/4" NPT external thread internal thread:M5	

Application

Special feature	Gold-plated contacts	
Application	for industrial applications	
Media	liquids and gases	
Medium temperature [°C]	-25...90; (on request: -40...90 °C)	
Min. burst pressure	2175 psi	15 MPa
Pressure rating	1087 psi	7.5 MPa
Type of pressure	relative pressure	

Electrical data

Operating voltage [V]	9.6...32 DC	
Min. insulation resistance [MΩ]	100; (500 V DC)	
Protection class	III	
Reverse polarity protection	yes	

Inputs / outputs

Number of inputs and outputs	Number of analogue outputs: 1	
------------------------------	-------------------------------	--

Outputs

Total number of outputs	1	
Output signal	analogue signal	
Number of analogue outputs	1	
Analogue current output [mA]	4...20	

PX3234



Pressure transmitter with ceramic measuring cell

PA-020PRBN14-A-ZVG/US/ IV

Max. load	[Ω]	720; (U _b = 24 V; (U _b - 9,6 V) / 20 mA)
Overload protection		yes
Measuring/setting range		
Measuring range		0...200 psi 0...1380 kPa
Accuracy / deviations		
Repeatability	[% of the span]	< 0,1; (with temperature fluctuations < 10 K)
Characteristics deviation	[% of the span]	< ± 0,35 (BFSL) / < ± 0,75 (LS); (BFSL = Best Fit Straight Line; LS = limit value setting)
Long-term stability	[% of the span]	< ± 0,05; (per 6 months)
Temperature coefficient zero point	[% of the span / 10 K]	0,15; (0...80 °C)
Temperature coefficient span	[% of the span / 10 K]	0,2; (0...80 °C)
Response times		
Step response time analogue output	[ms]	3
Operating conditions		
Ambient temperature	[°C]	-25...80
Storage temperature	[°C]	-40...100
Protection		IP 65
Tests / approvals		
EMC	EN 61000-4-2 ESD	4 kV CD / 8 kV AD
	EN 61000-4-3 HF radiated	30 V/m
	EN 61000-4-4 Burst	2 kV
	EN 61000-4-6 HF conducted	10 V
	radiation of interference	according to the automotive directive 2004/104/EC / CISPR 25
	immunity	according to the automotive directive 2004/104/EC / ISO 11452-2
	HF radiated	100 V/m
	pulse resistance	ISO 7637-2 / severity level 3
Shock resistance	DIN IEC 68-2-27	50 g (11 ms)
Vibration resistance	DIN IEC 68-2-6	20 g (10...2000 Hz)
MTTF	[years]	555
UL approval	File number UL	E174189
Pressure Equipment Directive		Sound engineering practice; can be used for group 2 fluids; group 1 fluids on request
Mechanical data		
Weight	[g]	215.5
Housing		cylindrical
Dimensions	[mm]	Ø 30 / L = 79.5
Materials		stainless steel (316L/1.4404); FKM; PA; EPDM/X
Materials (wetted parts)		stainless steel (303/1.4305); ceramics; FKM
Min. pressure cycles		100 million
Process connection		threaded connection 1/4" NPT external thread internal thread:M5

PX3234



Pressure transmitter with ceramic measuring cell

PA-020PRBN14-A-ZVG/US/ IV

Restrictor element integrated

no (can be retrofitted)

Remarks

Pack quantity

1 pcs.

Electrical connection

Connector: 1 x M12; coding: A; Contacts: gold-plated



Connection

