

PT9544



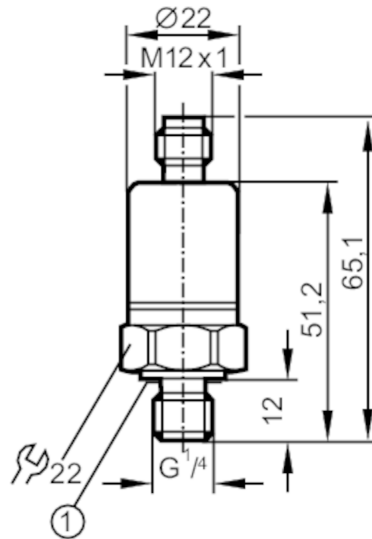
Pressure transmitter

PT-010-RBG14-B-DVG/US/ IW

discontinued article

Alternative articles: PU5404

When selecting an alternative article and accessories please note that technical data may differ!



- 1 Sealing
Tightening torque 25 Nm



Product characteristics

Output signal	analogue signal			
Measuring range	0...10 bar	0...145 psi	0...1000 kPa	0...1 MPa
Process connection	threaded connection G 1/4 external thread			

Application

Application	for industrial applications		
Media	liquids and gases		
Medium temperature [°C]	-25...90		
Min. bursting pressure	300 bar	4350 psi	30 MPa
Pressure rating	25 bar	362 psi	2.5 Mpa
Type of pressure	relative pressure		

Electrical data

Operating voltage [V]	16...36 DC
Current consumption [mA]	< 6
Min. insulation resistance [MΩ]	100; (500 V DC)
Protection class	III
Reverse polarity protection	yes

Inputs / outputs

Number of inputs and outputs	Number of analogue outputs: 1
------------------------------	-------------------------------

PT9544



Pressure transmitter

PT-010-RBG14-B-DVG/US/ IW

Outputs				
Total number of outputs				1
Output signal				analogue signal
Number of analogue outputs				1
Analogue voltage output	[V]			0...10
Min. load resistance	[Ω]			2000
Measuring/setting range				
Measuring range		0...10 bar	0...145 psi	0...1000 kPa 0...1 MPa
Accuracy / deviations				
Repeatability	[% of the span]	< ± 0,1; (with temperature fluctuations < 10 K)		
Characteristics deviation	[% of the span]	< ± 1,0; (incl. drift when overtightened, zero point and span error)		
Linearity deviation	[% of the span]	< ± 0,25 (BFSL) / < ± 0,5 (LS)		
Hysteresis deviation	[% of the span]	< ± 0,2		
Long-term stability	[% of the span]	< ± 0,1; (per 6 months)		
Temperature coefficient zero point	[% of the span / 10 K]	< ± 0,1; (-25...90 °C)		
Temperature coefficient span	[% of the span / 10 K]	< ± 0,1; (-25...90 °C)		
Response times				
Step response time analogue output	[ms]			3
Operating conditions				
Ambient temperature	[°C]			-25...90
Storage temperature	[°C]			-40...100
Protection				IP 67; IP 69K
Tests / approvals				
EMC		EN 61000-4-2 ESD		4 kV CD / 8 kV AD
		EN 61000-4-3 HF radiated		10 V/m
		EN 61000-4-4 Burst		4 kV coupling clamp
		EN 61000-4-5 Surge		1 kV signal for DC units
		EN 61000-4-6 HF conducted		10 V
Shock resistance		DIN IEC 68-2-27		50 g (11 ms)
Vibration resistance		DIN IEC 68-2-6		20 g (10...2000 Hz)
MTTF	[years]			1116
Pressure Equipment Directive		Sound engineering practice; can be used for group 2 fluids; group 1 fluids on request		

PT9544



Pressure transmitter

PT-010-RBG14-B-DVG/US/ IW

Mechanical data	
Weight [g]	85
Materials	stainless steel (1.4404 / 316L); PA
Materials (wetted parts)	stainless steel (1.4404 / 316L); FKM
Min. pressure cycles	50 million
Process connection	threaded connection G 1/4 external thread
Restrictor element integrated	no (can be retrofitted)

Remarks	
Remarks	BFSL = Best Fit Straight Line LS = limit value setting
Pack quantity	1 pcs.

Electrical connection

Connector: 1 x M12



Connection

