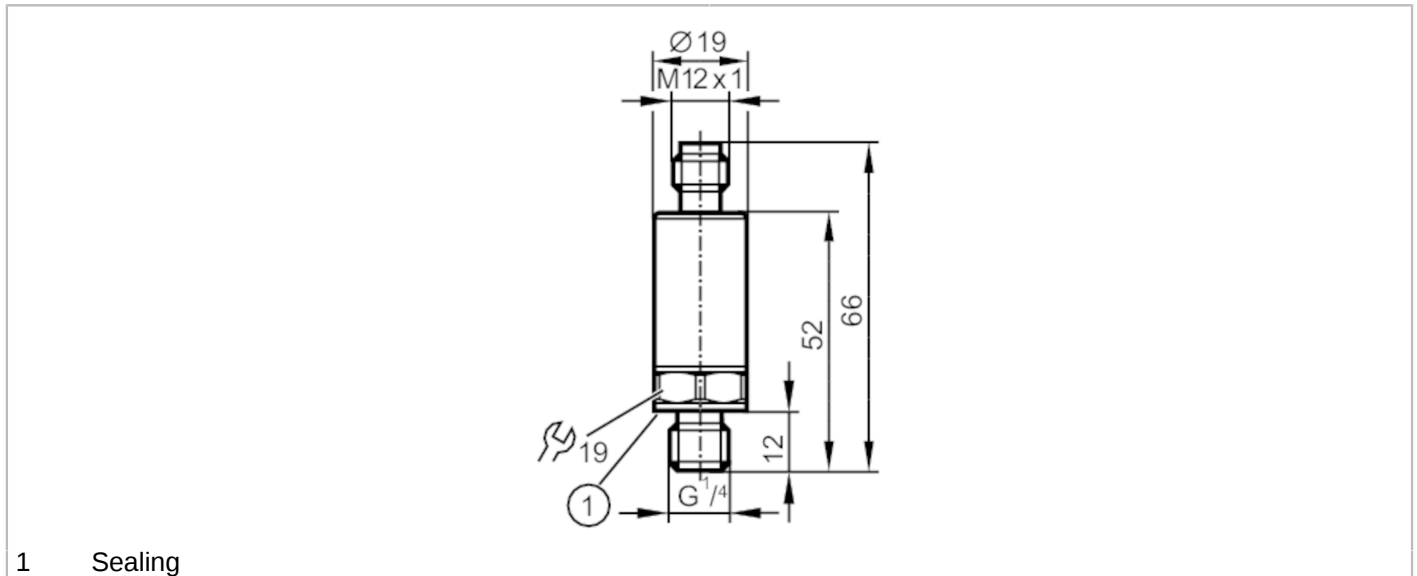


# PT5504



## Pressure transmitter

PT-010-SEG14-A-ZVG/US



Product characteristics			
Output signal	analogue signal		
Measuring range	0...10 bar	0...145 psi	0...1000 kPa    0...1 MPa
Process connection	threaded connection G 1/4 external thread (DIN EN ISO 1179-2)		
Application			
Application	for mobile applications		
Media	liquids and gases		
Medium temperature [°C]	-40...125		
Min. bursting pressure	300 bar	4350 psi	30 MPa
Pressure rating	25 bar	360 psi	2.5 Mpa
Note on pressure rating	static		
Vacuum resistance [mbar]	-1000		
Type of pressure	relative pressure		
Electrical data			
Operating voltage [V]	8...32 DC		
Min. insulation resistance [MΩ]	100; (500 V DC)		
Protection class	III		
Reverse polarity protection	yes		
Power-on delay time [s]	< 0.1		
Inputs / outputs			
Number of inputs and outputs	Number of analogue outputs: 1		

# PT5504



## Pressure transmitter

PT-010-SEG14-A-ZVG/US

Outputs				
Total number of outputs	1			
Output signal	analogue signal			
Number of analogue outputs	1			
Analogue current output [mA]	4...20			
Max. load [ $\Omega$ ]	(U <sub>b</sub> - 8 V) / 21,5 mA; @8V = 0 $\Omega$ ; @12V max. 200 $\Omega$ ; @24V max. 750 $\Omega$			
Short-circuit proof	yes			
Overload protection	yes			
Measuring/setting range				
Measuring range	0...10 bar	0...145 psi	0...1000 kPa	0...1 MPa
Accuracy / deviations				
Repeatability [% of the span]	< $\pm$ 0,05; (with temperature fluctuations < 10 K)			
Characteristics deviation [% of the span]	< $\pm$ 0,8; (incl. drift when overtightened, zero point and span error, non-linearity, hysteresis)			
Linearity deviation [% of the span]	< $\pm$ 0,25 (BFSL) / < $\pm$ 0,5 (LS)			
Hysteresis deviation [% of the span]	< $\pm$ 0,2			
Long-term stability [% of the span]	< $\pm$ 0,1; (per 6 months)			
Temperature coefficient zero point [% of the span / 10 K]	< $\pm$ 0,1 (0...80 °C); < $\pm$ 0,2 (-40...0 °C / 80...125 °C)			
Temperature coefficient span [% of the span / 10 K]	< $\pm$ 0,1 (0...80 °C); < $\pm$ 0,2 (-40...0 °C / 80...125 °C)			
Response times				
Step response time analogue output [ms]	2			
Operating conditions				
Ambient temperature [°C]	-40...100			
Storage temperature [°C]	-40...100			
Protection	IP 67; IP 69K			
Tests / approvals				
EMC	compliant with UN ECE R10, rev. 5	(E1 compliant)		
	ISO 11452-2	100 V/m		
	DIN EN 61326-1			
Shock resistance	DIN EN 60068-2-27	500 g (1 ms)		
Vibration resistance	DIN EN 60068-2-6	20 g (10...2000 Hz)		
MTTF [years]	704			
Pressure Equipment Directive	Sound engineering practice; can be used for group 2 fluids; group 1 fluids on request			

# PT5504



## Pressure transmitter

PT-010-SEG14-A-ZVG/US

Mechanical data	
Weight [g]	58.5
Materials	1.4542 (17-4 PH / 630); stainless steel (1.4404 / 316L); PEI
Materials (wetted parts)	1.4542 (17-4 PH / 630)
Min. pressure cycles	60 million; (at 1.2 times nominal pressure)
Tightening torque [Nm]	25...35; (recommended tightening torque; depends on lubrication, seal and pressure rating)
Process connection	threaded connection G 1/4 external thread (DIN EN ISO 1179-2)
Process connection sealing	HNBR (to DIN 3869)
Restrictor element integrated	yes

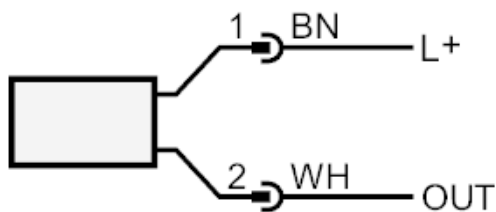
Remarks	
Remarks	BFSL = Best Fit Straight Line LS = limit value setting
Pack quantity	1 pcs.

## Electrical connection

Connector: 1 x M12



## Connection



OUT            analogue output  
                 colours to DIN EN 60947-5-2  
                 Core colours :  
BN =            brown  
WH =            white

# PT5504



## Pressure transmitter

PT-010-SEG14-A-ZVG/US

### Diagrams and graphs

characteristic load curve of current output



1: Max. load

2: min. load