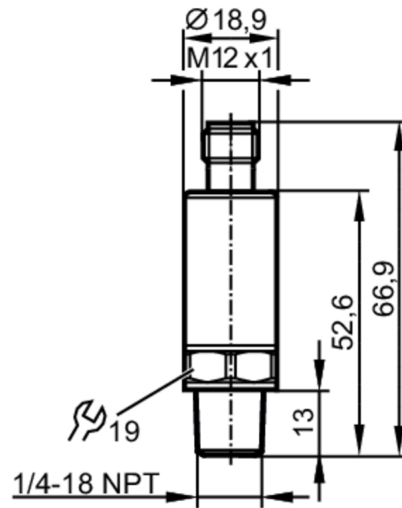


PT2415



Pressure transmitter

PT-010PSEN14-A-ZVG/US/ IW



Product characteristics

Number of inputs and outputs	Number of analogue outputs: 1	
Measuring range	0...100 psi	0...690 kPa
Process connection	threaded connection 1/4" NPT external thread	

Application

Application	for industrial applications	
Media	liquids and gases	
Medium temperature [°C]	-40...90	
Min. burst pressure	2900 psi	20 MPa
Pressure rating	250 psi	1.7 MPa
Note on pressure rating	static	
Vacuum resistance	-14.5 psi	-0.1 MPa
Type of pressure	relative pressure	
MAWP for applications according to CRN [psi]	250	

Electrical data

Operating voltage [V]	8.5...36 DC	
Min. insulation resistance [MΩ]	100; (500 V DC)	
Protection class	III	
Reverse polarity protection	yes	
Power-on delay time [s]	< 0.1	

Inputs / outputs

Number of inputs and outputs	Number of analogue outputs: 1	
------------------------------	-------------------------------	--

Outputs

Total number of outputs	1	
Output signal	analogue signal	
Number of analogue outputs	1	

PT2415



Pressure transmitter

PT-010PSEN14-A-ZVG/US/ IW

Analogue current output	[mA]	4...20
Max. load	[Ω]	$(U_b - 8,5 \text{ V}) / 21,5 \text{ mA}$; @8,5V= 0 Ω; @12V max. 160 Ω; @24V max. 720 Ω
Short-circuit proof		yes
Overload protection		yes
Measuring/setting range		
Measuring range		0...100 psi 0...690 kPa
Accuracy / deviations		
Repeatability	[% of the span]	$< \pm 0,05$; (with temperature fluctuations $< 10 \text{ K}$)
Characteristics deviation	[% of the span]	$< \pm 0,5$; (incl. drift when overtightened, zero point and span error, non-linearity, hysteresis)
Linearity deviation	[% of the span]	$< \pm 0,1$ (BFSL) / $< \pm 0,2$ (LS)
Hysteresis deviation	[% of the span]	$< \pm 0,2$
Long-term stability	[% of the span]	$< \pm 0,1$; (per 6 months)
Temperature coefficient zero point and span	[% of the span / 10 K]	$< 0,1$ (-25...90 °C) / $< 0,2$ (-40...-25 °C)
Response times		
Step response time analogue output	[ms]	1
Operating conditions		
Ambient temperature	[°C]	-40...90
Storage temperature	[°C]	-40...100
Protection		IP 67; IP 69K
Tests / approvals		
EMC		DIN EN 61000-6-2 DIN EN 61000-6-3
Shock resistance		DIN EN 60068-2-27 50 g (11 ms)
Vibration resistance		DIN EN 60068-2-6 20 g (10...2000 Hz)
MTTF	[years]	784
Pressure Equipment Directive		Sound engineering practice; can be used for group 2 fluids; group 1 fluids on request
Mechanical data		
Weight	[g]	57.5
Housing		cylindrical
Dimensions	[mm]	Ø 18.9 / L = 66.9
Materials		stainless steel (630/1.4542/17-4 PH); stainless steel (316L/1.4404); PEI
Materials (wetted parts)		stainless steel (630/1.4542/17-4 PH)
Min. pressure cycles		60 million; (at 1.2 times nominal pressure)
Tightening torque	[Nm]	< 50 ; (recommended tightening torque; depends on the lubrication, the seal and the pressure load)
Process connection		threaded connection 1/4" NPT external thread
Restrictor element integrated		no (can be retrofitted)

PT2415



Pressure transmitter

PT-010PSEN14-A-ZVG/US/ IW

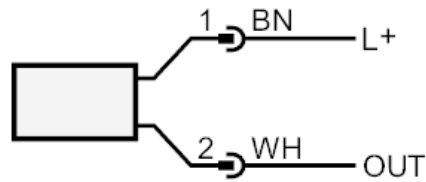
Remarks	
Remarks	BFSL = Best Fit Straight Line LS = limit value setting
Pack quantity	1 pcs.

Electrical connection

Connector: 1 x M12; coding: A; Contacts: 2



Connection



OUT analogue output
 colours to DIN EN 60947-5-2
 Core colours :
BN = brown
WH = white