

# PPA020



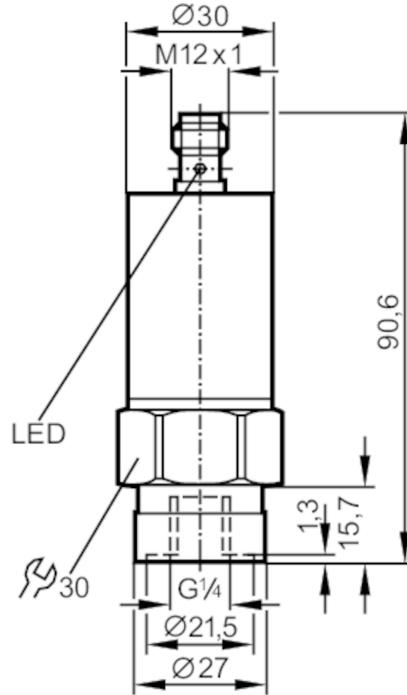
## Pressure switch with ceramic measuring cell

PPA400-SBR14-ASIVG/US/ IV

discontinued article

Alternative articles: PP7550 + AC5225

When selecting an alternative article and accessories please note that technical data may differ!



### Product characteristics

|                    |       |   |
|--------------------|-------|---|
| Measuring range    | [bar] | 0...400                                   |
| Process connection |       | threaded connection G 1/4 internal thread |

### Application

|                            |       |  |
|----------------------------|-------|--|
| Special feature            |       | Gold-plated contacts                               |
| Design                     |       | analogue value (16 bit value incl. sign)           |
| Application                |       | for industrial applications                        |
| Media                      |       | Liquids  |
| Conditionally suitable for |       | use in gases at pressures > 25 bar only on request |
| Medium temperature         | [°C]  | -25...80   |
| Min. bursting pressure     | [bar] | 1000   |
| Pressure rating            | [bar] | 600  |
| Type of pressure           |       | relative pressure                                  |

# PPA020



## Pressure switch with ceramic measuring cell

PPA400-SBR14-ASIVG/US/ IV

| Electrical data                    |                          |  |
|------------------------------------|--------------------------|--|
| Operating voltage                  | [V]                      | 18...31.6 DC   |
| Current consumption                | [mA]                     | < 25   |
| Min. insulation resistance         | [MΩ]                     | 100; (500 V DC)  |
| Protection class                   |                          | III  |
| Reverse polarity protection        |                          | yes  |
| Power-on delay time                | [s]                      | 0.3  |
| Integrated watchdog                |                          | yes  |
| Outputs                            |                          |  |
| Electrical design                  |                          | AS-i   |
| Overload protection                |                          | yes  |
| Measuring/setting range            |                          |  |
| Measuring range                    | [bar]                    | 0...400  |
| Accuracy / deviations              |                          |  |
| Repeatability                      | [% of the span]          | < ± 0,1; (with temperature fluctuations < 10 K)  |
| Characteristics deviation          | [% of the span]          | < ± 0,5; (linearity, incl. hysteresis and repeatability , limit value setting to DIN EN IEC 62828-1) |
| Hysteresis deviation               | [% of the span]          | < ± 0,5  |
| Long-term stability                | [% of the span]          | < ± 0,1; (per year)  |
| Temperature coefficient zero point | [% of the span / 10 K]   | 0,2; (0...70 °C)   |
| Temperature coefficient span       | [% of the span / 10 K]   | 0,3; (0...70 °C)   |
| Operating conditions               |                          |  |
| Ambient temperature                | [°C]                     | -25...70   |
| Storage temperature                | [°C]                     | -40...100  |
| Protection                         |                          | IP 67  |
| Tests / approvals                  |                          |  |
| EMC                                | EN 61000-4-2 ESD         | 4 kV CD / 8 kV AD Klasse B   |
|                                    | EN 61000-4-3 HF radiated | 10 V/m   |
|                                    | EN 61000-4-4 Burst       | 1 kV Class A / 2 kV class B  |
|                                    | EN 55011 emission        | Level B  |
| Shock resistance                   | DIN IEC 68-2-27          | 50 g (11 ms)   |
| Vibration resistance               | DIN IEC 68-2-6           | 20 g (10...2000 Hz)  |
| MTTF                               | [years]                  | 293  |
| Pressure Equipment Directive       |                          | Sound engineering practice; can be used for group 2 fluids; group 1 fluids on request                |

# PPA020



## Pressure switch with ceramic measuring cell

PPA400-SBR14-ASIVG/US/ IV

| Mechanical data               |           |   |
|-------------------------------|-----------|---|
| Weight                        | [g]       | 248   |
| Materials                     |           | stainless steel (1.4301 / 304); PA            |
| Materials (wetted parts)      |           | stainless steel (1.4305 / 303); ceramics; FKM |
| Min. pressure cycles          |           | 100 million                                   |
| Process connection            |           | threaded connection G 1/4 internal thread     |
| Restrictor element integrated |           | yes   |
| Displays / operating elements |           |   |
| Display                       | operation | LED, green                                    |
|                               | failure   | LED, red                                      |
| Remarks                       |           |   |
| Pack quantity                 |           | 1 pcs.  |

### Electrical connection

Connector: 1 x M12; Contacts: gold-plated



### Connection

