

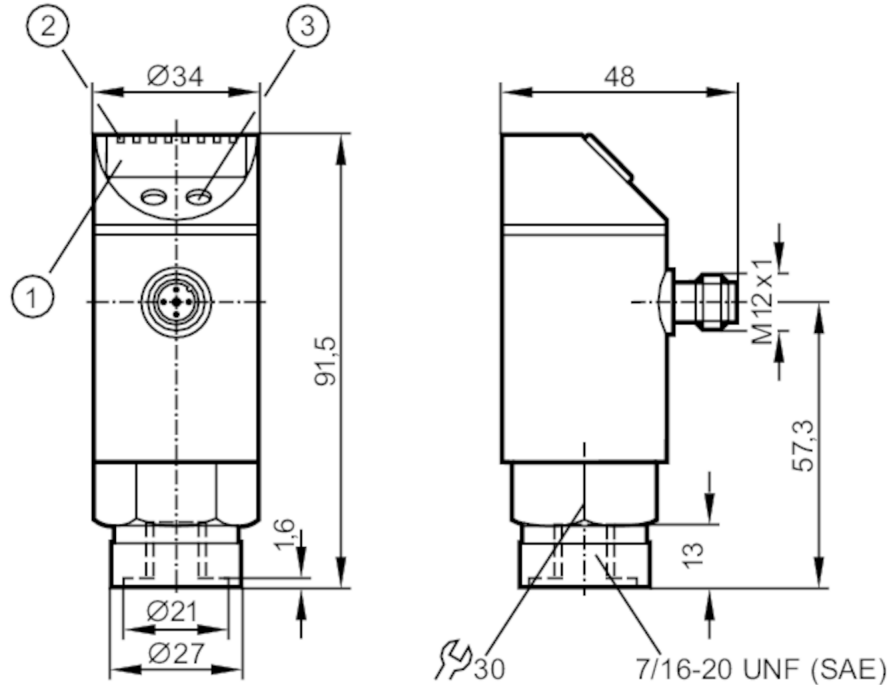
PN7303



Pressure sensor with display

PN-025-RBU76-QFRKG/US/ IV

discontinued article



- 1 alphanumeric display 4-digit
- 2 LEDs Display unit / switching status
- 3 programming button



Product characteristics

Output signal	switching signal; IO-Link; (configurable)		
Measuring range	0...25 bar	0...363 psi	0...2.5 MPa
Process connection	threaded connection 7/16" - 20 UNF internal thread		

Application

Special feature	Gold-plated contacts		
Application	for industrial applications		
Media	liquids and gases		
Conditionally suitable for	For gaseous media the application is limited to max. 25 bar.		
Medium temperature [°C]	-25...80		
Min. bursting pressure	350 bar	5075 psi	35 MPa
Pressure rating	150 bar	2175 psi	15 MPa
Type of pressure	relative pressure		

PN7303



Pressure sensor with display

PN-025-RBU76-QFRKG/US/ IV

Electrical data			
Operating voltage	[V]	18...36 DC; (according to EN 50178 SELV/PELV)	
Current consumption	[mA]	< 50	
Min. insulation resistance	[MΩ]	100; (500 V DC)	
Protection class		III	
Reverse polarity protection		yes	
Overvoltage protection		yes; (< 40 V)	
Power-on delay time	[s]	0.3	
Integrated watchdog		yes	
Inputs / outputs			
Number of inputs and outputs		Number of digital outputs: 2	
Outputs			
Total number of outputs		2	
Output signal		switching signal; IO-Link; (configurable)	
Electrical design		PNP/NPN	
Number of digital outputs		2	
Output function		normally open / normally closed; (parameterisable)	
Max. voltage drop switching output DC	[V]	2	
Permanent current rating of switching output DC	[mA]	250	
Switching frequency DC	[Hz]	< 170	
Short-circuit protection		yes	
Type of short-circuit protection		pulsed	
Measuring/setting range			
Measuring range		0...25 bar	0...363 psi
Set point SP		0.2...25 bar	4...362 psi
Reset point rP		0.1...24.9 bar	2...360 psi
In steps of		0.1 bar	2 psi
Factory setting			SP1 = 90 psi
			SP2 = 272 psi
			rP1 = 84 psi
			rP2 = 264 psi
Accuracy / deviations			
Switch point accuracy	[% of the span]	< ± 0,5	
Repeatability	[% of the span]	< ± 0,1; (with temperature fluctuations < 10 K)	
Characteristics deviation	[% of the span]	< ± 0,25 (BFSL) / < ± 0,5 (LS); (BFSL = Best Fit Straight Line; LS = limit value setting)	
Hysteresis deviation	[% of the span]	< ± 0,25	
Long-term stability	[% of the span]	< ± 0,05; (per 6 months)	
Temperature coefficient zero point	[% of the span / 10 K]	0,2; (0...80 °C)	
Temperature coefficient span		0,2; (0...80 °C)	

PN7303



Pressure sensor with display

PN-025-RBU76-QFRKG/US/ /V

[% of the span / 10 K]

Response times

Delay time programmable dS, dr [s] 0; 0,2...50

Software / programming

Parameter setting options hysteresis / window; normally open / normally closed; diagnostic function; switching logic; switch-on/switch-off delay; Damping; Display unit

Interfaces

Communication interface	IO-Link	
Transmission type	COM2 (38,4 kBaud)	
IO-Link revision	1.1	
Profiles	no profile	
SIO mode	yes	
Required master port type	A	
Process data analogue	1	
Process data binary	2	
Min. process cycle time [ms]	2.3	
Supported DeviceIDs	Type of operation	DeviceID
	Default	329

Operating conditions

Ambient temperature [°C] -20...80
Storage temperature [°C] -40...100
Protection IP 65

Tests / approvals

EMC	EN 61000-6-2	
	EN 61000-6-3	
Shock resistance	DIN EN 60068-2-27	50 g (11 ms)
Vibration resistance	DIN EN 60068-2-6	20 g (10...2000 Hz)
MTTF [years]	219	

Mechanical data

Weight [g]	268.4	
Materials	stainless steel (1.4301 / 304); stainless steel (1.4404 / 316L); PC; PBT; PEI; FKM; PTFE	
Materials (wetted parts)	stainless steel (1.4305 / 303); ceramics; FKM	
Min. pressure cycles	100 million	
Process connection	threaded connection 7/16" - 20 UNF internal thread	
Restrictor element integrated	no (can be retrofitted)	

Displays / operating elements

Display	Display unit	3 x LED, green
	switching status	2 x LED, yellow
	function display	alphanumeric display, 4-digit
	measured values	alphanumeric display, 4-digit

Remarks

Pack quantity 1 pcs.

PN7303

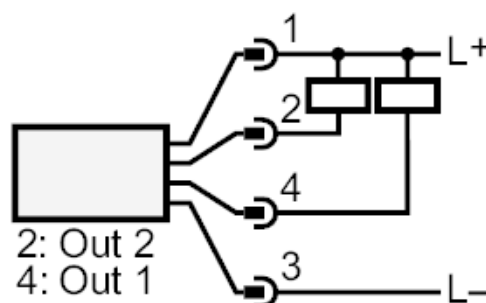
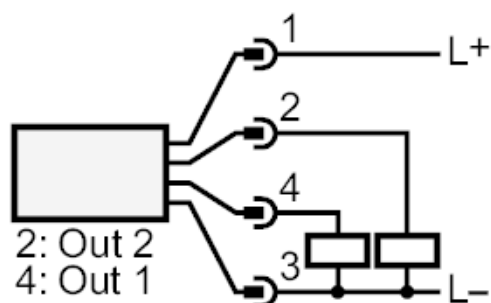


Pressure sensor with display

PN-025-RBU76-QFRKG/US/ IV

Electrical connection

Connector: 1 x M12; Contacts: gold-plated



OUT1	switching output IO-Link
OUT2	switching output Diagnostic output