

PN2226



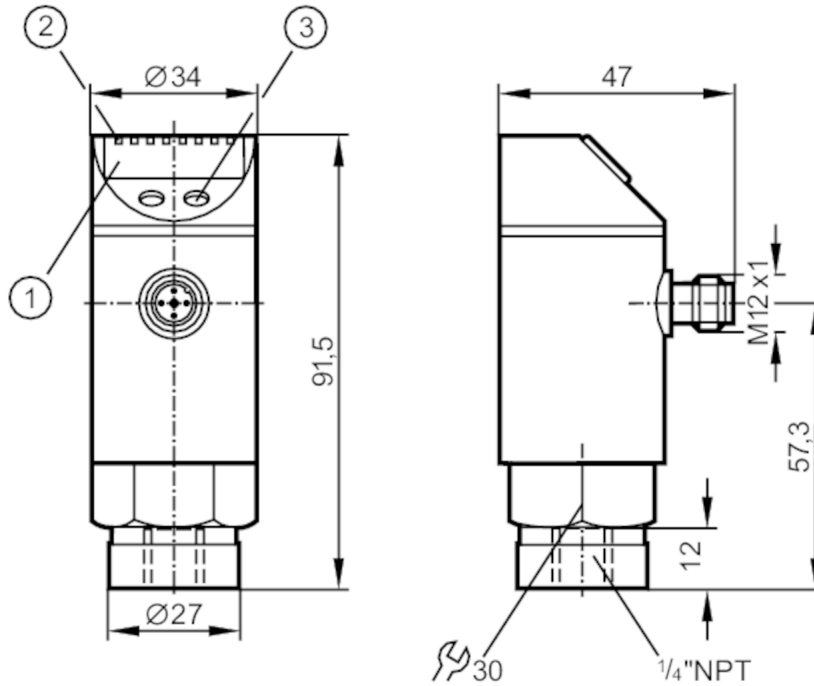
Pressure sensor with display

PN-2,5-RBN14-MFRKG/US/ IV

discontinued article

Alternative articles: PN2296

When selecting an alternative article and accessories please note that technical data may differ!



- 1 alphanumeric display 4-digit
- 2 LEDs Display unit / switching status
- 3 programming button



Product characteristics

Output signal	switching signal; analogue signal; IO-Link; (configurable)			
Measuring range	-0.13...2.5 bar	-130...2500 mbar	-1.45...36.25 psi	-12.5...250 kPa
Process connection	threaded connection 1/4" NPT internal thread			

Application

Special feature	Gold-plated contacts		
Application	for industrial applications		
Media	liquids and gases		
Medium temperature [°C]	-25...80		
Min. bursting pressure	50 bar	725 psi	5000 kPa
Pressure rating	20 bar	290 psi	2000 kPa
Type of pressure	relative pressure		

PN2226



Pressure sensor with display

PN-2,5-RBN14-MFRKG/US/ IV

Electrical data	
Operating voltage [V]	18...32 DC; (according to EN 50178 SELV/PELV)
Current consumption [mA]	< 35
Min. insulation resistance [MΩ]	100; (500 V DC)
Protection class	III
Reverse polarity protection	yes
Power-on delay time [s]	0.3
Integrated watchdog	yes

Inputs / outputs	
Number of inputs and outputs	Number of digital outputs: 2; Number of analogue outputs: 1

Outputs	
Total number of outputs	2
Output signal	switching signal; analogue signal; IO-Link; (configurable)
Electrical design	PNP/NPN
Number of digital outputs	2
Output function	normally open / normally closed; (parameterisable)
Max. voltage drop switching output DC [V]	2
Permanent current rating of switching output DC [mA]	250
Switching frequency DC [Hz]	< 500
Number of analogue outputs	1
Analogue current output [mA]	4...20; (scalable 1:4)
Max. load [Ω]	(U _b - 10 V) / 20 mA
Analogue voltage output [V]	0...10; (scalable 1:4)
Min. load resistance [Ω]	2000
Short-circuit protection	yes
Type of short-circuit protection	pulsed
Overload protection	yes

Measuring/setting range				
Measuring range	-0.13...2.5 bar	-130...2500 mbar	-1.45...36.25 psi	-12.5...250 kPa
Set point SP	-0.11...2.5 bar		-1.5...36.25 psi	-10.5...250 kPa
Reset point rP	-0.12...2.49 bar		-1.65...36.1 psi	-11.5...249 kPa
Analogue start point	-0.13...1.88 bar		-1.8...27.2 psi	-12.5...187.5 kPa
Analogue end point	0.5...2.5 bar		7.25...36.25 psi	50...250 kPa
In steps of	0.01 bar		0.05 psi	0.5 kPa
Factory setting			SP1 = 9.05 psi	rP1 = 8.35 psi
			SP2 = 27.20 psi	rP2 = 26.45 psi
			ASP = 0.00 psi	AEP = 36.25 psi

Accuracy / deviations	
Switch point accuracy [% of the span]	< ± 0,4; (Turn down 1:1)
Repeatability [% of the span]	< ± 0,1; (with temperature fluctuations < 10 K; Turn down 1:1)
Characteristics deviation	< ± 0,25 (BFSL) / < ± 0,5 (LS); (Turn down 1:1; BFSL = Best Fit Straight Line; LS = limit value setting)

PN2226



Pressure sensor with display

PN-2,5-RBN14-MFRKG/US/ IV

	[% of the span]	
Hysteresis deviation	[% of the span]	< ± 0,1; (Turn down 1:1)
Long-term stability	[% of the span]	< ± 0,1; (Turn down 1:1; per year)
Temperature coefficient zero point	[% of the span / 10 K]	< ± 0,2; (0...80 °C)
Temperature coefficient span	[% of the span / 10 K]	< ± 0,2; (0...80 °C)

Response times

Response time	[ms]	< 1.5
Damping for the switching output dAP	[s]	0.01...4
Damping for the analogue output dAA	[s]	0.01...4
Max. response time analogue output	[ms]	3

Software / programming

Parameter setting options	hysteresis / window; normally open / normally closed; switching logic; current/voltage output; Damping; adaptation of displayed values; display can be rotated and switched off; Display unit; zero point; span
---------------------------	---

Interfaces

Communication interface	IO-Link
Transmission type	COM2 (38,4 kBaud)
IO-Link revision	1.0

Operating conditions

Ambient temperature	[°C]	-25...80
Storage temperature	[°C]	-40...100
Protection		IP 65

Tests / approvals

EMC	EN 61000-4-2 ESD	4 kV CD / 8 kV AD
	EN 61000-4-3 HF radiated	10 V/m
	EN 61000-4-4 Burst	2 kV
	EN 61000-4-5 Surge	0,5/1 kV
	EN 61000-4-6 HF conducted	10 V
Shock resistance	DIN IEC 68-2-27	50 g (11 ms)
Vibration resistance	DIN IEC 68-2-6	20 g (10...2000 Hz)
MTTF	[years]	131
Pressure Equipment Directive	Sound engineering practice; can be used for group 2 fluids; group 1 fluids on request	

Mechanical data

Weight	[g]	265.5
Materials	stainless steel (1.4301 / 304); stainless steel (1.4404 / 316L); PC; PBT; PEI; FKM; PTFE	
Materials (wetted parts)	stainless steel (1.4305 / 303); ceramics; FKM	
Min. pressure cycles	100 million	
Process connection	threaded connection 1/4" NPT internal thread	
Restrictor element integrated	no (can be retrofitted)	

PN2226



Pressure sensor with display

PN-2,5-RBN14-MFRKG/US/ IV

Displays / operating elements		
Display	Display unit	3 x LED, green
	switching status	2 x LED, yellow
	function display	alphanumeric display, 4-digit
	measured values	alphanumeric display, 4-digit

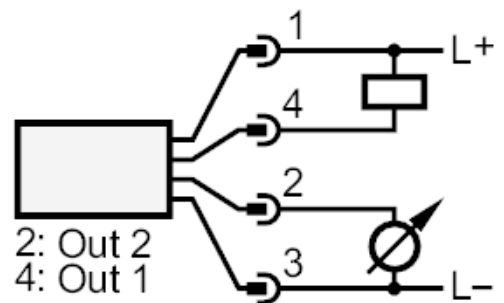
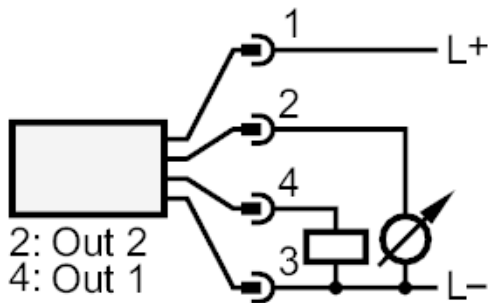
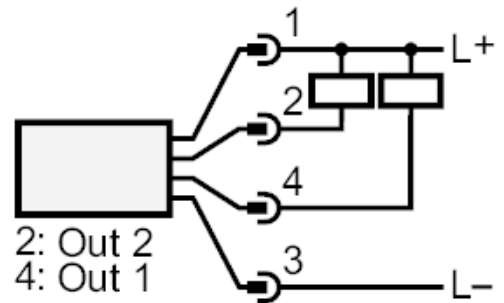
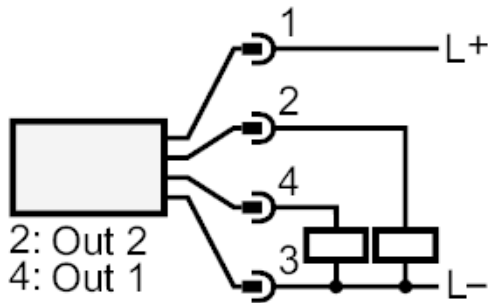
Remarks	
Pack quantity	1 pcs.

Electrical connection

Connector: 1 x M12; Contacts: gold-plated



Connection



- OUT1 switching output
- IO-Link
- OUT2 switching output
- analogue output