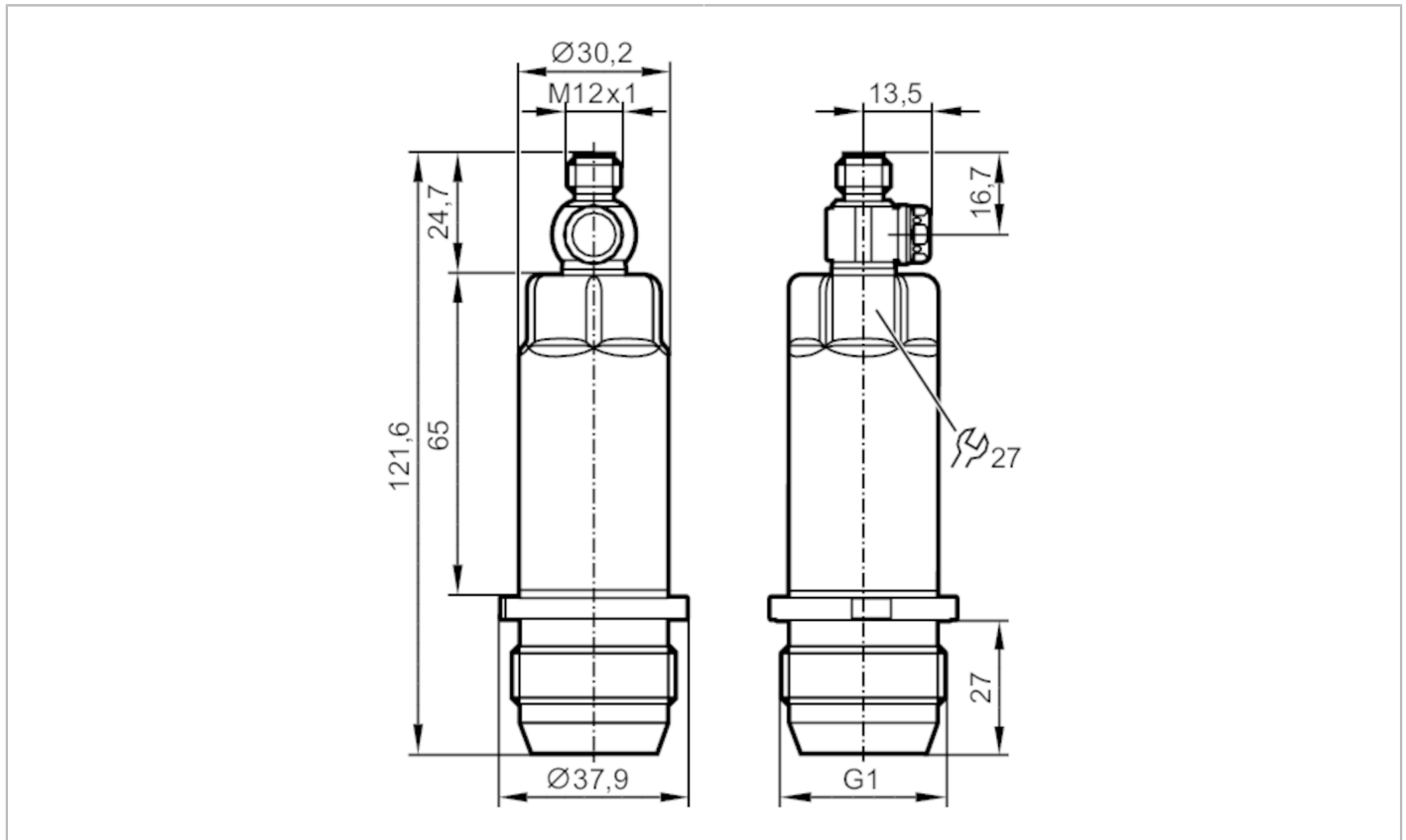


PM1609



Electronic pressure sensor

PM-1-1BREA01-E-ZVG/US



Product characteristics	
Output signal	analogue signal; IO-Link; (configurable)
Measuring range	-1...1 bar -1000...1000 mbar -14.5...14.5 psi -100...100 kPa
Process connection	threaded connection G 1 external thread sealing cone
Application	
Special feature	Gold-plated contacts
Measuring element	ceramic-capacitive pressure measuring cell
Temperature monitoring	no
Application	flush mountable for the food and beverage industry
Media	viscous media and liquids with suspended particles; liquids and gases
Medium temperature [°C]	-25...125; (150 max. 1h)
Min. bursting pressure	30000 mbar 435 psi 3000 kPa
Pressure rating	10000 mbar 145 psi 1000 kPa
Vacuum resistance [mbar]	-1000
Type of pressure	relative pressure; vacuum
No dead space	yes
MAWP (for applications according to CRN) [bar]	10

PM1609



Electronic pressure sensor

PM-1-1BREA01-E-ZVG/US

Electrical data					
Operating voltage	[V]	18...30 DC			
Min. insulation resistance	[MΩ]	100; (500 V DC)			
Protection class		III			
Reverse polarity protection		yes			
Integrated watchdog		yes			
2-wire					
Current consumption	[mA]	3.5...21.5			
Power-on delay time	[s]	1			
3-wire					
Current consumption	[mA]	< 45			
Power-on delay time	[s]	0.5			
Inputs / outputs					
Number of inputs and outputs		Number of analogue outputs: 1			
Outputs					
Total number of outputs		2			
Output signal		analogue signal; IO-Link; (configurable)			
Number of analogue outputs		1			
Analogue current output	[mA]	4...20; (scalable)			
Max. load	[Ω]	700; (U _b = 24 V; (U _b - 9 V) / 21.5 mA)			
Short-circuit proof		yes			
Overload protection		yes			
Measuring/setting range					
Measuring range		-1...1 bar	-1000...1000 mbar	-14.5...14.5 psi	-100...100 kPa
Analogue start point		-1000...600 mbar		-14.5...8.7 psi	-100...60 kPa
Analogue end point		-600...1000 mbar		-8.7...14.5 psi	-60...100 kPa
In steps of		1 mbar		0.01 psi	0.1 kPa
Factory setting			ASP = -1000 mbar		AEP = 1000 mbar
Accuracy / deviations					
Repeatability	[% of the span]	< ± 0,1; (with temperature fluctuations < 10 K; Turn down 1:1)			
Characteristics deviation	[% of the span]	< ± 0,2; (linearity incl. hysteresis and repeatability, limit value setting to DIN EN IEC 62828-1)			
Linearity deviation	[% of the span]	< ± 0,15; (Turn down 1:1)			
Hysteresis deviation	[% of the span]	< ± 0,15; (Turn down 1:1)			
Long-term stability	[% of the span]	< ± 0,1; (Turn down 1:1; per year)			
Temperature coefficient zero point	[% of the span / 10 K]	< ± 0,05; (0...70 °C)			
Temperature coefficient span	[% of the span / 10 K]	< ± 0,15; (0...70 °C)			

PM1609



Electronic pressure sensor

PM-1-1BREA01-E-ZVG/US

Response times		
Damping for the analogue output dAA	[s]	0...4
2-wire		
Step response time analogue output	[ms]	30
3-wire		
Step response time analogue output	[ms]	7
Interfaces		
Communication interface	IO-Link	
Transmission type	COM2 (38,4 kBaud)	
IO-Link revision	1.1	
Profiles	Digital Measuring Sensor (0x000A), Identification and Diagnosis (0x4000)	
SIO mode	no	
Required master port type	A	
Process data analogue	3	
Min. process cycle time	[ms]	3.2
Supported DeviceIDs	Type of operation	DeviceID
	Default	667
Operating conditions		
Ambient temperature	[°C]	-25...80
Storage temperature	[°C]	-40...100
Protection	IP 67; IP 68; IP 69K	
Tests / approvals		
EMC	DIN EN 61000-6-2	
	DIN EN 61000-6-3	
Shock resistance	DIN EN 60068-2-27	50 g (11 ms)
Vibration resistance	DIN EN 60068-2-6	20 g (10...2000 Hz)
MTTF	[years]	323
Note on approval	factory certificate available as download at www.factory-certificate.ifm	
UL approval	UL Approval no.	J022
Mechanical data		
Weight	[g]	346
Materials	stainless steel (1.4404 / 316L); PBT	
Materials (wetted parts)	ceramics (99.9 % Al2O3); stainless steel (1.4435 / 316L); surface characteristics: Ra < 0,4 / Rz 4; PTFE	
Min. pressure cycles	100 million	
Tightening torque	[Nm]	20
Process connection	threaded connection G 1 external thread sealing cone	
Remarks		
Pack quantity	1 pcs.	
Electrical connection		

Connector: 1 x M12; Contacts: gold-plated

PM1609

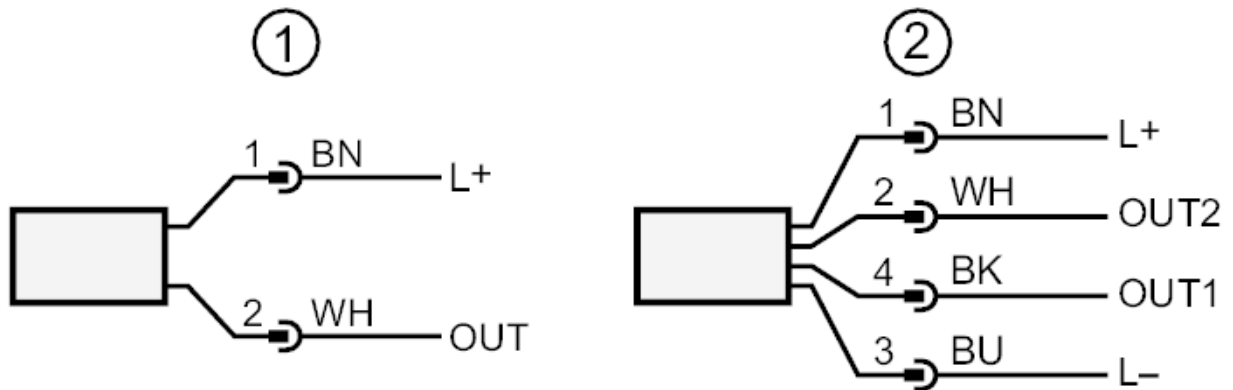


Electronic pressure sensor

PM-1-1BREA01-E-ZVG/US



Connection



- 1 connection for 2-wire operation (analogue)
- 2 connection for 3-wire operation (analogue / IO-Link)
OUT1 : IO-Link
OUT2 : analogue output