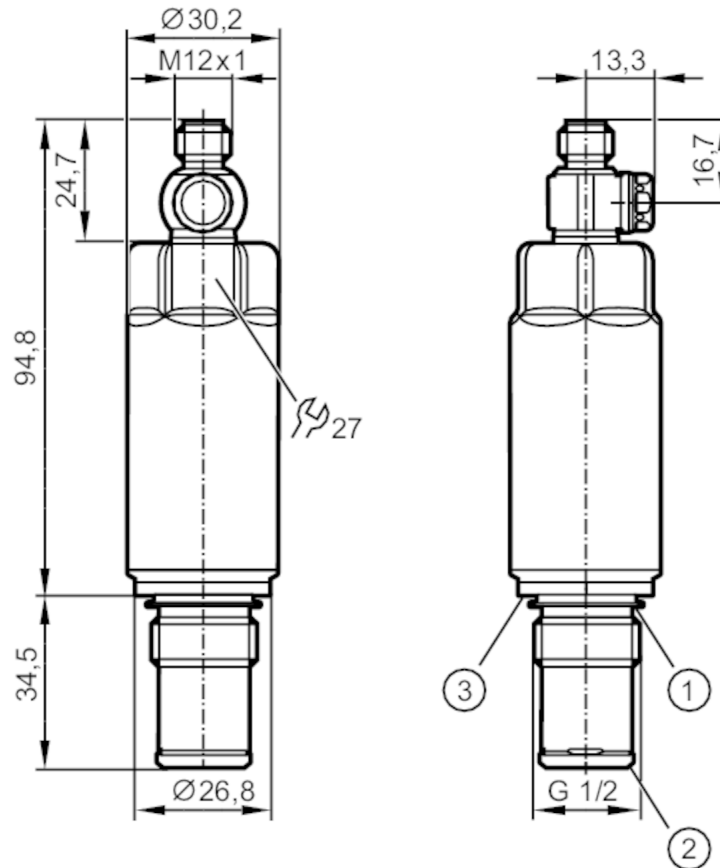


PM1506



Electronic pressure sensor

PM-2,5-REA12-A-ZVG/US



- 1 Gasket FKM (for sealing on the back - not pressure resistant) / removable
- 2 pre-mounted PEEK sealing ring (removable) / metallic sealing area
- 3 groove for sealing ring DIN 3869-21

ACS EC 1935/2004 EHEDG Certified Reg31

Product characteristics

Output signal	analogue signal; IO-Link		
Measuring range	-125...2500 mbar	-1.82...36.26 psi	-12.5...250 kPa
Process connection	threaded connection G 1/2 external thread sealing cone		

Application

Special feature	Gold-plated contacts		
Measuring element	ceramic-capacitive pressure measuring cell		
Application	hygienic systems		
Media	viscous media and liquids with suspended particles; liquids and gases		
Medium temperature [°C]	-25...125; (< 1 h: 150)		
Pressure rating	30000 mbar	435 psi	3000 kPa
Min. bursting pressure	50000 mbar	725 psi	5000 kPa
Vacuum resistance [mbar]	-1000		
Type of pressure	relative pressure		
No dead space	yes		

PM1506



Electronic pressure sensor

PM-2,5-REA12-A-ZVG/US

Electrical data			
Operating voltage	[V]	18...30 DC	
Min. insulation resistance	[MΩ]	100; (500 V DC)	
Protection class		III	
Reverse polarity protection		yes	
Integrated watchdog		yes	
2-wire			
Current consumption	[mA]	3.5...21.5	
Power-on delay time	[s]	< 1	
3-wire			
Current consumption	[mA]	< 45	
Power-on delay time	[s]	< 0.5	
Outputs			
Total number of outputs		2	
Output signal		analogue signal; IO-Link	
Analogue current output	[mA]	4...20; (scalable; 1:5)	
Max. load	[Ω]	700; (U _b = 24 V; (U _b - 9 V) / 21.5 mA)	
Short-circuit proof		yes	
Overload protection		yes	
Measuring/setting range			
Measuring range		-125...2500 mbar	-1.82...36.26 psi
Analogue start point		-125...2000 mbar	-1.82...29 psi
Analogue end point		375...2500 mbar	5.44...36.26 psi
In steps of		1 mbar	0.02 psi
Factory setting		ASP = 0.0 bar	AEP = 2500 mbar
			0.1 kPa
			37.5...250 kPa
Temperature monitoring			
Measuring range	[°C]	-25...150	
Measuring range	[°F]	-13...302	
Accuracy / deviations			
Repeatability	[% of the span]	< ± 0,1; (with temperature fluctuations < 10 K; Turn down 1:1)	
Characteristics deviation	[% of the span]	< ± 0,5 (DIN EN 61298-2); (incl. zero point and span error, non-linearity, hysteresis; Turn down 1:1)	
Linearity deviation	[% of the span]	< ± 0,15; (Turn down 1:1)	
Hysteresis deviation	[% of the span]	< ± 0,15; (Turn down 1:1)	
Long-term stability	[% of the span]	< ± 0,1; (Turn down 1:1; per year)	
Temperature coefficient zero point	[% of the span / 10 K]	< ± 0,1 (-25...85 °C); < ± 0,3 (85...150 °C)	
Temperature coefficient span	[% of the span / 10 K]	< ± 0,1 (-25...85 °C); < ± 0,3 (85...150 °C)	

PM1506



Electronic pressure sensor

PM-2,5-REA12-A-ZVG/US

Temperature monitoring		
Accuracy	[K]	$\pm 2.5 \text{ K} + (0.045 \times (\text{ambient temperature} - \text{medium temperature}))$
Response times		
Damping for the analogue output dAA	[s]	0...4
2-wire		
Step response time analogue output	[ms]	30
3-wire		
Step response time analogue output	[ms]	7
Temperature monitoring		
Dynamic response T05 / T09	[s]	< 10 / < 25; (DIN EN 60751 water; > 0,9 m/s)
Interfaces		
Communication interface		IO-Link
Transmission type		COM2 (38,4 kBaud)
IO-Link revision		1.1
SDCI standard		IEC 61131-9
IO-Link device ID		1024 d / 00 04 00 h
Profiles		Smart Sensor ED2: Identification and Diagnosis (0x4000), Measurement Data Channel (0x800A)
SIO mode		no
Required master port type		A; (when pin 2 not connected: B)
Min. process cycle time	[ms]	4.5
IO-Link resolution pressure	[mbar]	0.5
IO-Link resolution temperature	[K]	0.2
IO-Link functions (cyclical)	function	bit length
	pressure	16
	temperature	16
	device status	4
IO-Link functions (acyclical)	application specific tag; internal temperature	
Operating conditions		
Ambient temperature	[°C]	-25...80
Storage temperature	[°C]	-40...100
Protection		IP 67; IP 68; IP 69K
Tests / approvals		
EMC		DIN EN 61326-1
Shock resistance		DIN EN 60068-2-27
Vibration resistance		DIN EN 60068-2-6
MTTF	[years]	322
UL approval	UL Approval no.	J024
	File number UL	E174189

PM1506



Electronic pressure sensor

PM-2,5-REA12-A-ZVG/US

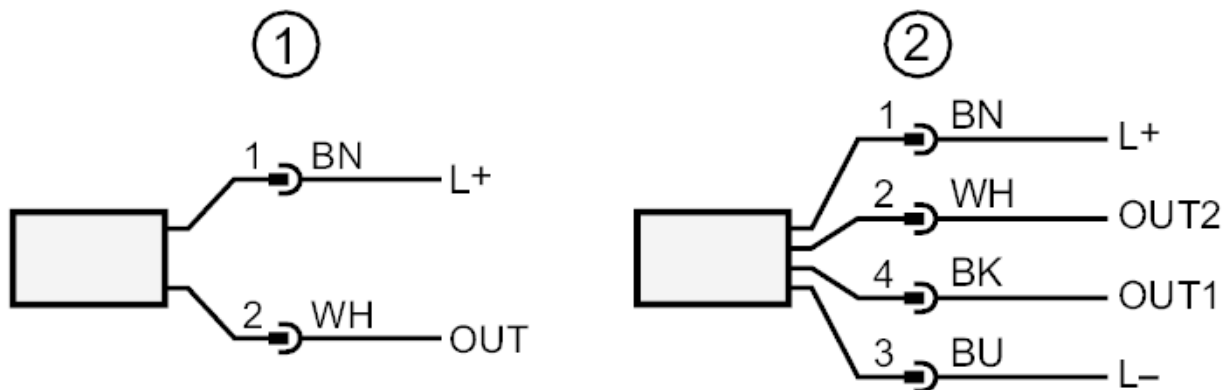
Mechanical data	
Weight [g]	252.2
Materials	stainless steel (1.4404 / 316L); PTFE; FKM
Materials (wetted parts)	ceramics (99.9 % Al ₂ O ₃); PTFE; stainless steel (1.4435 / 316L); surface characteristics: Ra < 0,4 / Rz 4; PEEK
Min. pressure cycles	100 million
Tightening torque [Nm]	20
Process connection	threaded connection G 1/2 external thread sealing cone
Remarks	
Pack quantity	1 pcs.

Electrical connection

Connector: 1 x M12; Contacts: gold-plated



Connection



- 1 connection for 2-wire operation (analogue)
- 2 connection for 3-wire operation (analogue / IO-Link)
OUT1: IO-Link
OUT2: analogue output