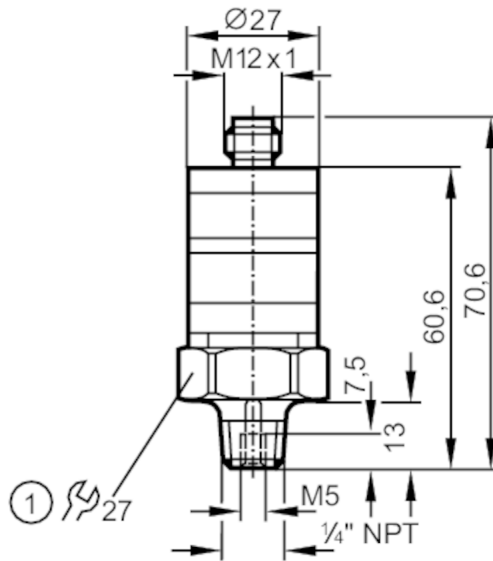


# PK6224



## Pressure switch with intuitive switch point setting

PK-010-RFN14-HCPKG/US/ IW



1 Tightening torque 25 Nm



### Product characteristics

|                              |   |             |  |
|------------------------------|---|-------------|--|
| Number of inputs and outputs | Number of digital outputs: 2                                    |             |  |
| Measuring range              | 0...10 bar  | 0...145 psi |  |
| Process connection           | threaded connection 1/4" NPT external thread internal thread:M5 |             |  |

### Application

|  |                             |          |         |
|--|-----------------------------|----------|---------|
| Application                            | for industrial applications |          |         |
| Media                                  | liquids and gases           |          |         |
| Medium temperature [°C]                | -25...80                    |          |         |
| Min. burst pressure                    | 300 bar                     | 4350 psi | 30 MPa  |
| Pressure rating                        | 25 bar                      | 362 psi  | 2.5 MPa |
| Type of pressure                       | relative pressure           |          |         |
| MAWP for applications according to CRN | 25 bar                      | 362 psi  |         |

### Electrical data

|                                 |                 |  |  |
|---------------------------------|-----------------|--|--|
| Operating voltage [V]           | 9.6...32 DC     |  |  |
| Current consumption [mA]        | < 25            |  |  |
| Min. insulation resistance [MΩ] | 100; (500 V DC) |  |  |
| Protection class                | III             |  |  |
| Reverse polarity protection     | yes             |  |  |

### Inputs / outputs

|                              |                              |  |  |
|------------------------------|------------------------------|--|--|
| Number of inputs and outputs | Number of digital outputs: 2 |  |  |
|------------------------------|------------------------------|--|--|

### Outputs

|                           |                  |  |  |
|---------------------------|------------------|--|--|
| Total number of outputs   | 2                |  |  |
| Output signal             | switching signal |  |  |
| Electrical design         | PNP              |  |  |
| Number of digital outputs | 2                |  |  |

# PK6224



## Pressure switch with intuitive switch point setting

PK-010-RFN14-HCPKG/US/ /W

|  |               |  |
|--|---------------|--|
| Output function                                      | complementary |  |
| Max. voltage drop switching output DC [V]            | 2             |  |
| Permanent current rating of switching output DC [mA] | 500           |  |
| Switching frequency DC [Hz]                          | 100           |  |
| Short-circuit protection                             | yes           |  |
| Type of short-circuit protection                     | pulsed        |  |
| Overload protection                                  | yes           |  |

| Measuring/setting range |               |               |
|-------------------------|---------------|---------------|
| Measuring range         | 0...10 bar    | 0...145 psi   |
| Set point SP            | 0.5...10 bar  | 7.5...145 psi |
| Reset point rP          | 0.3...9.8 bar | 5...142 psi   |

| Accuracy / deviations                            |  |
|--|--|
| Switch point accuracy [% of the final value]     | < ± 2,5; (Setting accuracy)  |
| Repeatability [% of the final value]             | < ± 0,5; (with temperature fluctuations < 10 K)  |
| Characteristics deviation [% of the final value] | < ± 1,5 (BFSL) / < ± 2,5 (LS); (BFSL = Best Fit Straight Line; LS = limit value setting) |
| Temperature drift per 10 K                       | < ± 0.5  |

| Software / programming         |               |
|--------------------------------|---------------|
| Adjustment of the switch point | setting rings |

| Operating conditions     |           |
|--------------------------|-----------|
| Ambient temperature [°C] | -25...80  |
| Storage temperature [°C] | -40...100 |
| Protection               | IP 67     |

| Tests / approvals            |   |                     |
|------------------------------|---|---------------------|
| EMC                          | DIN EN 61000-6-2  |                     |
|                              | DIN EN 61000-6-3  |                     |
| Shock resistance             | DIN EN 60068-2-27   | 50 g (11 ms)        |
| Vibration resistance         | DIN EN 60068-2-6  | 20 g (10...2000 Hz) |
| MTTF [years]                 | 500   |                     |
| Pressure Equipment Directive | Sound engineering practice; can be used for group 2 fluids; group 1 fluids on request |                     |

| Mechanical data               |   |
|-------------------------------|---|
| Weight [g]                    | 92.5  |
| Housing                       | cylindrical   |
| Dimensions [mm]               | Ø 27 / L = 70.6   |
| Materials                     | PBT; PC; FKM; stainless steel (316L/1.4404)                     |
| Materials (wetted parts)      | stainless steel (316L/1.4404)                                   |
| Min. pressure cycles          | 50 million  |
| Process connection            | threaded connection 1/4" NPT external thread internal thread:M5 |
| Restrictor element integrated | no (can be retrofitted)   |

# PK6224



## Pressure switch with intuitive switch point setting

PK-010-RFN14-HCPKG/US/ IW

### Displays / operating elements

|            |                  |             |
|------------|------------------|-------------|
| Display    | operation        | LED, green  |
|            | switching status | LED, yellow |
| With scale |                  | yes         |

### Remarks

|               |        |
|---------------|--------|
| Pack quantity | 1 pcs. |
|---------------|--------|

### Electrical connection

Connector: 1 x M12; coding: A



### Connection

