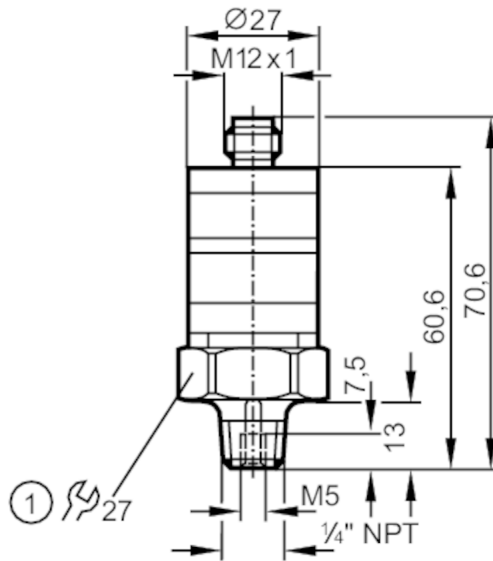


PK6220



Pressure switch with intuitive switch point setting

PK-400-SFN14-HCPKG/US/ /W



1 Tightening torque 25 Nm



Product characteristics

Number of inputs and outputs	Number of digital outputs: 2		
Measuring range	0...400 bar	0...5800 psi	
Process connection	threaded connection 1/4" NPT external thread internal thread:M5		

Application

Application	for industrial applications		
Media	liquids and gases		
Medium temperature [°C]	-25...80		
Min. burst pressure	1600 bar	23200 psi	160 MPa
Pressure rating	600 bar	8700 psi	60 MPa
Type of pressure	relative pressure		

Electrical data

Operating voltage [V]	9.6...32 DC		
Current consumption [mA]	< 25		
Min. insulation resistance [MΩ]	100; (500 V DC)		
Protection class	III		
Reverse polarity protection	yes		

Inputs / outputs

Number of inputs and outputs	Number of digital outputs: 2		
------------------------------	------------------------------	--	--

Outputs

Total number of outputs	2		
Output signal	switching signal		
Electrical design	PNP		
Number of digital outputs	2		
Output function	complementary		

PK6220



Pressure switch with intuitive switch point setting

PK-400-SFN14-HCPKG/US/ /W

Max. voltage drop switching output DC [V]	2
Permanent current rating of switching output DC [mA]	500
Switching frequency DC [Hz]	100
Short-circuit protection	yes
Type of short-circuit protection	pulsed
Overload protection	yes

Measuring/setting range

Measuring range	0...400 bar	0...5800 psi
Set point SP	20...400 bar	290...5800 psi
Reset point rP	12...392 bar	175...5685 psi

Accuracy / deviations

Switch point accuracy [% of the final value]	< ± 2,5; (Setting accuracy)
Repeatability [% of the final value]	< ± 0,5; (with temperature fluctuations < 10 K)
Characteristics deviation [% of the final value]	< ± 1,5 (BFSL) / < ± 2,5 (LS); (BFSL = Best Fit Straight Line; LS = limit value setting)
Temperature drift per 10 K	< ± 0.5

Software / programming

Adjustment of the switch point	setting rings
--------------------------------	---------------

Operating conditions

Ambient temperature [°C]	-25...80
Storage temperature [°C]	-40...100
Protection	IP 67

Tests / approvals

EMC	DIN EN 61000-6-2	
	DIN EN 61000-6-3	
Shock resistance	DIN IEC 68-2-27	50 g (11 ms)
Vibration resistance	DIN IEC 68-2-6	20 g (10...2000 Hz)
MTTF [years]		641
Pressure Equipment Directive	Sound engineering practice; can be used for group 2 fluids; group 1 fluids on request	

Mechanical data

Weight [g]	94.5
Housing	cylindrical
Dimensions [mm]	Ø 27 / L = 70.6
Materials	PBT; PC; FKM; stainless steel (316L/1.4404)
Materials (wetted parts)	stainless steel (316L/1.4404)
Min. pressure cycles	50 million
Process connection	threaded connection 1/4" NPT external thread internal thread:M5
Restrictor element integrated	no (can be retrofitted)

PK6220



Pressure switch with intuitive switch point setting

PK-400-SFN14-HCPKG/US/ /W

Displays / operating elements

Display	operation	LED, green
	switching status	LED, yellow
With scale		yes

Remarks

Pack quantity	1 pcs.
---------------	--------

Electrical connection

Connector: 1 x M12; coding: A



Connection

