

PI1098



Flush pressure sensor with display

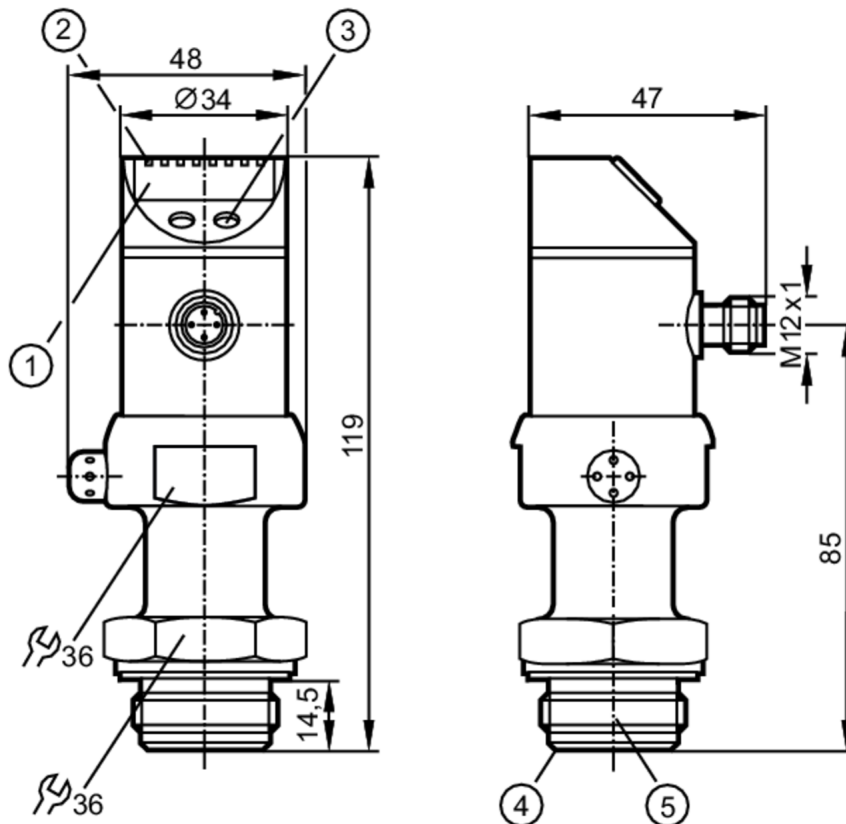
PI-,25BRES30-E-ZVG/US/ IP

phase-out article

Alternative articles: PI1008 or PI1708

When selecting an alternative article and accessories please note that technical data may differ!

Please do not use for new projects.
no more adapters available as accessories



- 1 alphanumeric display 4-digit
- 2 status LEDs
- 3 programming button
- 4 Aseptoflex sealing edge
- 5 Aseptoflex thread



EC 1935/2004

FCM



Product characteristics

Number of inputs and outputs	Number of analogue outputs: 1	
Measuring range	-0.0124...0.25 bar	-12.4...250 mbar
Process connection	threaded connection Aseptoflex external thread Aseptoflex	

Application

Special feature	Gold-plated contacts
Application	flush mountable for the food and beverage industry
Installation	freely rotatable housing 350°
Media	viscous media and liquids with suspended particles; liquids and gases
Medium temperature [°C]	-25...125; (145 max. 1h)



Flush pressure sensor with display

PI-,25BRES30-E-ZVG/US/ IP

Min. burst pressure	30000 mbar	3 MPa
Pressure rating	6000 mbar	1 MPa
Type of pressure	relative pressure	
No dead space	yes	
Electrical data		
Operating voltage [V]	20...32 DC	
Min. insulation resistance [MΩ]	100; (500 V DC)	
Protection class	III	
Reverse polarity protection	yes	
Power-on delay time [s]	0.5	
Switch-on peak current [mA]	6	
Switch-on peak current duration [ms]	30	
Integrated watchdog	yes	
Inputs / outputs		
Number of inputs and outputs	Number of analogue outputs: 1	
Outputs		
Total number of outputs	1	
Output signal	analogue signal	
Number of analogue outputs	1	
Analogue current output [mA]	4...20, invertible; (scalable 1:4)	
Max. load [Ω]	300	
Overload protection	yes	
Measuring/setting range		
Measuring range	-0.0124...0.25 bar	-12.4...250 mbar
Analogue start point [mbar]	-12.4...187.4	
Analogue end point [mbar]	50...250	
In steps of [mbar]	0.02	
Factory setting	ASP = 0.0 mbar	AEP = 250.0 mbar
Accuracy / deviations		
Repeatability [% of the span]	< ± 0,1; (with temperature fluctuations < 10 K; Turn down 1:1)	
Characteristics deviation [% of the span]	< ± 0,2; (Turn down 1:1, linearity, incl. hysteresis and repeatability, limit value setting to DIN EN IEC 62828-1)	
Linearity deviation [% of the span]	< ± 0,15; (Turn down 1:1)	
Hysteresis deviation [% of the span]	< ± 0,15; (Turn down 1:1)	
Long-term stability [% of the span]	< ± 0,1; (Turn down 1:1; per year)	
Temperature coefficient zero point [% of the span / 10 K]	< ± 0,05; (0...70 °C)	
Temperature coefficient span [% of the span / 10 K]	< ± 0,15; (0...70 °C)	

PI1098



Flush pressure sensor with display

PI-,25BRES30-E-ZVG/US/ IP

Response times		
Damping for the analogue output dAA [s]		0.1...100
Max. response time analogue output [ms]		40
Software / programming		
Parameter setting options		zero point; span
Operating conditions		
Ambient temperature [°C]		-25...80
Storage temperature [°C]		-40...100
Protection		IP 67; IP 69K
Tests / approvals		
EMC	EN 61000-4-2 ESD	4 kV CD / 8 kV AD
	EN 61000-4-3 HF radiated	10 V/m
	EN 61000-4-4 Burst	2 kV
	EN 61000-4-5 Surge	0,5/1 kV
	EN 61000-4-6 HF conducted	10 V
Shock resistance	DIN IEC 68-2-27	50 g (11 ms)
Vibration resistance	DIN IEC 68-2-6	20 g (10...2000 Hz)
MTTF [years]		259
Mechanical data		
Weight [g]		401.5
Housing		cylindrical
Dimensions [mm]		Ø 34 / L = 119
Materials		stainless steel (316L/1.4404); PC; PBT; PEI; FKM; PTFE
Materials (wetted parts)		ceramics (99.9 % Al ₂ O ₃); stainless steel (316L/1.4435) surface characteristics: Ra < 0,4 µm / Rz = 4 µm; PTFE
Min. pressure cycles		100 million
Process connection		threaded connection Aseptoflex external thread Aseptoflex
Displays / operating elements		
Display	Display unit	6 x LED, green
	function display	alphanumeric display, 4-digit
	measured values	alphanumeric display, 4-digit
Display unit		mbar; kPa; psi; inH ₂ O; mmWS; % of the span
Remarks		
Remarks	The 3-A qualification is only valid if adapters with 3-A qualification are used for installation.	
Notes	Please do not use for new projects.; no more adapters available as accessories	
Pack quantity	1 pcs.	
Electrical connection		
Connector: 1 x M12; coding: A; Contacts: 4, gold-plated		

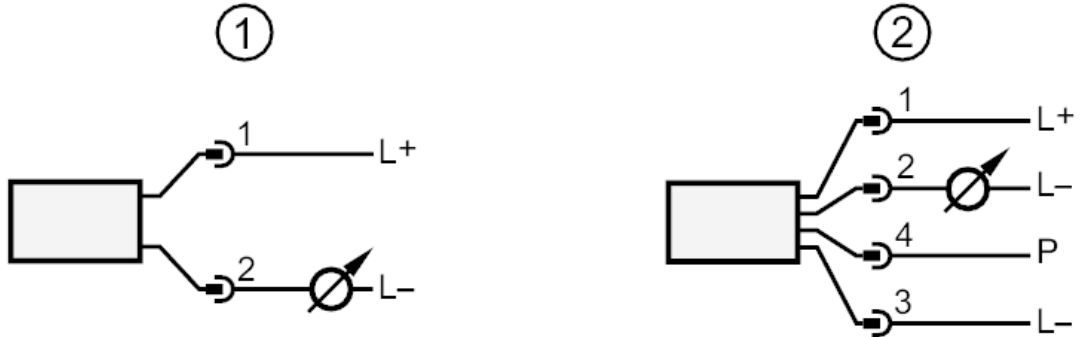
PI1098



Flush pressure sensor with display

PI-,25BRES30-E-ZVG/US/ IP

Connection



- 1: normal operation
- 2: programming operation (P = communication via EPS / FDT interface)