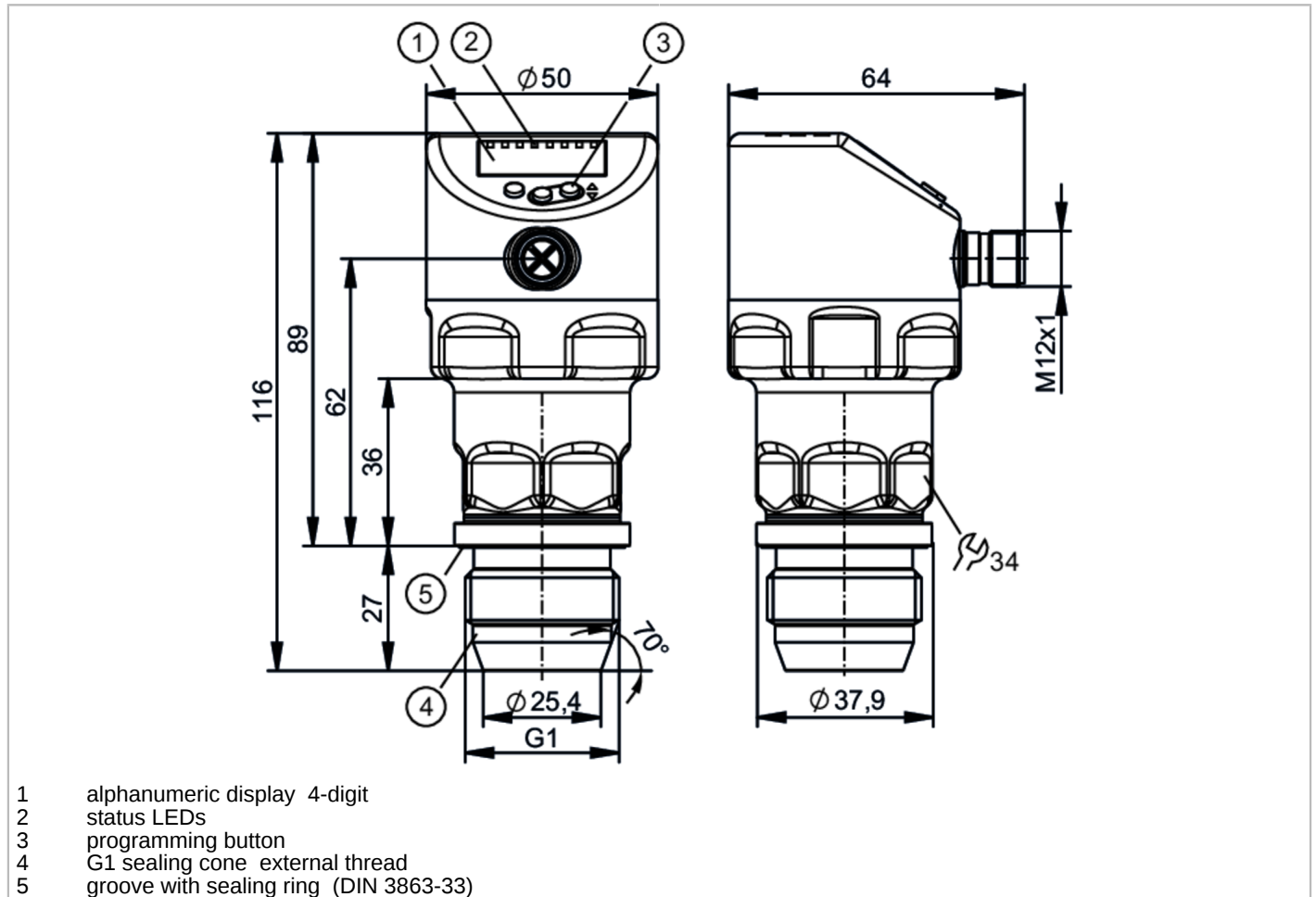


# PI1602



## Flush pressure sensor with display

PI-100-REA01-MFRKG/US/ IP



- 1 alphanumeric display 4-digit
- 2 status LEDs
- 3 programming button
- 4 G1 sealing cone external thread
- 5 groove with sealing ring (DIN 3863-33)



Product characteristics			
Number of inputs and outputs	Number of digital outputs: 2; Number of analogue outputs: 1		
Measuring range	-1...100 bar	-14...1450 psi	-0.1...10 MPa
Process connection	threaded connection G 1 external thread sealing cone		
Application			
Special feature	Gold-plated contacts		
Application	flush mountable for the food and beverage industry		
Media	viscous media and liquids with suspended particles; liquids and gases; use in gases at pressures > 25 bar only on request		
Medium temperature [°C]	-25...150		
Min. bursting pressure	650 bar	9425 psi	65 MPa
Pressure rating	200 bar	2900 psi	20 MPa
Vacuum resistance [mbar]	-1000		
Type of pressure	relative pressure; vacuum		
No dead space	yes		
Electrical data			
Min. insulation resistance [MΩ]	100; (500 V DC)		
Protection class	III		



## Flush pressure sensor with display

PI-100-REA01-MFRKG/US/ IP

Reverse polarity protection		yes	
Integrated watchdog		yes	
<b>2-wire</b>			
Operating voltage	[V]	20...30 DC	
Current consumption	[mA]	3.5...21.5	
Power-on delay time	[s]	< 1	
<b>3-wire</b>			
Operating voltage	[V]	18...30 DC	
Current consumption	[mA]	5...45; (430 bei max. Laststrom)	
Power-on delay time	[s]	< 0.5	
<b>Inputs / outputs</b>			
Number of inputs and outputs		Number of digital outputs: 2; Number of analogue outputs: 1	
<b>Outputs</b>			
Total number of outputs		2	
Output signal		switching signal; analogue signal; IO-Link	
Electrical design		PNP/NPN	
Number of digital outputs		2	
Output function		normally open / normally closed; (parameterisable)	
Number of analogue outputs		1	
Analogue current output	[mA]	4...20, invertible; (scalable)	
Short-circuit protection		yes	
Type of short-circuit protection		pulsed	
Overload protection		yes	
<b>2-wire</b>			
Max. load	[Ω]	300	
<b>3-wire</b>			
Max. voltage drop switching output DC	[V]	2	
Permanent current rating of switching output DC	[mA]	100	
Switching frequency DC	[Hz]	125	
Max. load	[Ω]	(U <sub>b</sub> - 10 V) / 21,5 mA; 650 Ω (U <sub>b</sub> = 24 V)	
<b>Measuring/setting range</b>			
Measuring range	-1...100 bar	-14...1450 psi	-0.1...10 MPa
Set point SP	-0.9...100 bar	-12...1450 psi	-0.09...10 MPa
Reset point rP	-1...99.9 bar	-15...1448 psi	-0.1...9.9 MPa
Analogue start point	-1...80 bar	-15...1160 psi	-0.1...8 MPa
Analogue end point	19...100 bar	276...1450 psi	1.9...10 MPa
Min. difference between SP and rP	0.2 bar	3 psi	0.02 MPa
In steps of	0.1 bar	1 psi	0.01 MPa
Factory setting		SP1 = 25 bar	rP1 = 23 bar
		SP2 = 75 bar	rP2 = 73 bar
		ASP = 0.00 bar	AEP = 100 bar
		dAP = 0.06 s	dAA = 0.06 s



## Flush pressure sensor with display

PI-100-REA01-MFRKG/US/ IP

Temperature monitoring		
Measuring range	-25...150 °C	-13...302 °F
Accuracy / deviations		
Switch point accuracy [% of the span]	< ± 0,5; (DIN EN IEC 62828-1; Turn down 1:1)	
Repeatability [% of the span]	< ± 0,1; (with temperature fluctuations < 10 K; Turn down 1:1)	
Characteristics deviation [% of the span]	< ± 0,5; (DIN IEC EN 62828-1 incl. zero point and span error, non-linearity, hysteresis; Turn down 1:1)	
Linearity deviation [% of the span]	< ± 0,15; (Turn down 1:1)	
Hysteresis deviation [% of the span]	< ± 0,15; (Turn down 1:1)	
Long-term stability [% of the span]	< ± 0,1; (Turn down 1:1; per year)	
Total deviation over temperature range	Temperature range	total deviation
	-25...15 °C	Characteristics deviation ± 0,15 % of the span / 10 K
	15...80 °C	Characteristics deviation
	80...150 °C	Characteristics deviation ± 0,2 % of the span / 10 K
Notes on the accuracy / deviation	for further details see section Diagrams and graphs	
Temperature monitoring		
Accuracy [K]	± 2,5+ (0,08 x ( Umgebungstemperatur - Mediumtemperatur ))	
Repeatability [K]	± 0,2	
Resolution [K]	0.2	
Response times		
Damping process value dAP [s]	0...99.99	
Damping for the analogue output dAA [s]	0...99.99	
2-wire		
Step response time analogue output [ms]	30	
3-wire		
Min. response time of switching output (dAP) [ms]	3	
Step response time analogue output [ms]	7	
Temperature monitoring		
Dynamic response T05 / T09 [s]	< 35 / < 135; (DIN EN 60751 water ; > 0,9 m/s)	
Interfaces		
Communication interface	IO-Link	
Transmission type	COM2 (38,4 kBaud)	
IO-Link revision	1.1	
SDCI standard	IEC 61131-9	
Profiles	Identification and Diagnosis (0x4000), Measurement Data Channel (0x800A)	
SIO mode	yes	

# PI1602



## Flush pressure sensor with display

PI-100-REA01-MFRKG/US/ IP

Required master port type	A										
Min. process cycle time [ms]	5.6										
IO-Link resolution pressure [bar]	0.005										
IO-Link resolution temperature [K]	0.2										
IO-Link process data (cyclical)	<table border="1"><thead><tr><th>function</th><th>bit length</th></tr></thead><tbody><tr><td>pressure</td><td>32</td></tr><tr><td>temperature</td><td>32</td></tr><tr><td>device status</td><td>4</td></tr><tr><td>binary switching information</td><td>2</td></tr></tbody></table>	function	bit length	pressure	32	temperature	32	device status	4	binary switching information	2
function	bit length										
pressure	32										
temperature	32										
device status	4										
binary switching information	2										
IO-Link functions (acyclical)	application specific tag; internal temperature; operating hours counter; switching cycles counter; Pressure peak counter										
Supported DeviceIDs	<table border="1"><thead><tr><th>Type of operation</th><th>DeviceID</th></tr></thead><tbody><tr><td>default</td><td>1150</td></tr></tbody></table>	Type of operation	DeviceID	default	1150						
Type of operation	DeviceID										
default	1150										

Operating conditions	
Ambient temperature [°C]	-25...80
Storage temperature [°C]	-40...100
Protection	IP 67; IP 68; IP 69K

Tests / approvals	
EMC	DIN EN 61326-1
Shock resistance	DIN EN 60068-2-27 50 g (11 ms)
Vibration resistance	DIN EN 60068-2-6 20 g (10...2000 Hz)
MTTF [years]	214
Note on approval	factory certificate available as download at <a href="http://www.factory-certificate.ifm">www.factory-certificate.ifm</a>
UL approval	UL Approval no. J034 File number UL E174189

Mechanical data	
Weight [g]	395.1
Materials	stainless steel (1.4404 / 316L); FKM; PTFE; PBT; PEI; PFA
Materials (wetted parts)	ceramics (99.9 % Al <sub>2</sub> O <sub>3</sub> ); stainless steel (1.4435 / 316L); surface characteristics: Ra < 0,4 / Rz 4; PTFE
Min. pressure cycles	100 million
Tightening torque [Nm]	20
Process connection	threaded connection G 1 external thread sealing cone

Displays / operating elements		
Display	Display unit	LED, green
	switching status	LED, yellow
	function display	alphanumeric display, 4-digit
	measured values	alphanumeric display, 4-digit
Display unit	bar; psi; MPa	

Remarks	
Pack quantity	1 pcs.

# PI1602



## Flush pressure sensor with display

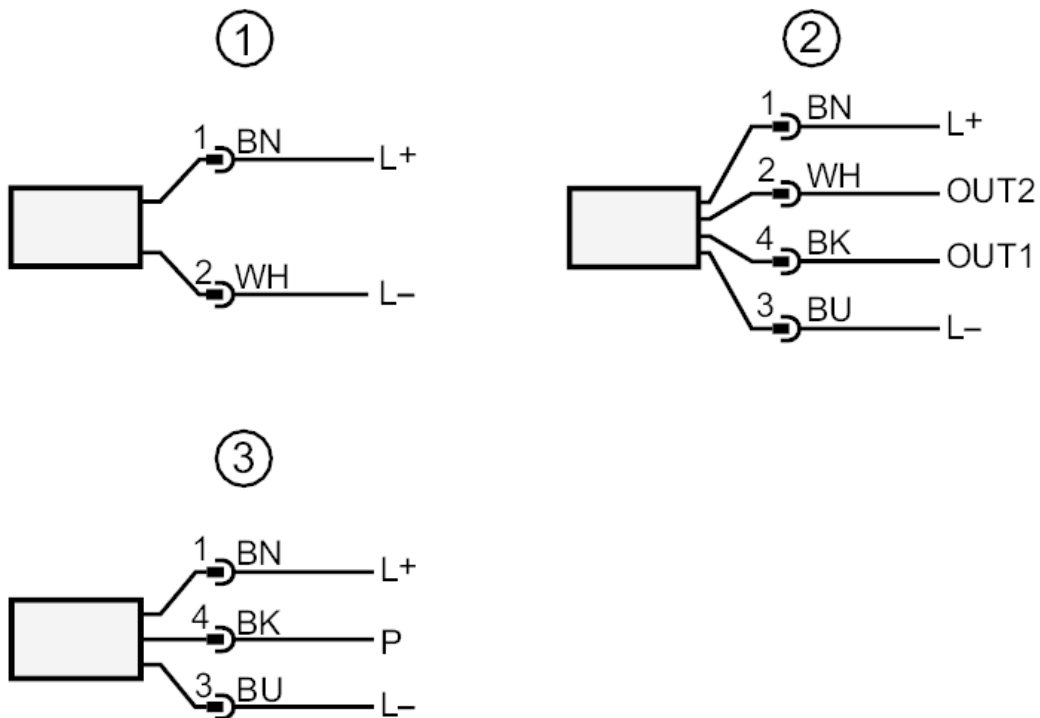
PI-100-REA01-MFRKG/US/ IP

### Electrical connection

Connector: 1 x M12; coding: A; Contacts: gold-plated



### Connection



- 1 connection for 2-wire operation
- 2 connection for 3-wire operation
- OUT1 switching output / IO-Link
- OUT2 switching output / analogue output
- 3 connection for IO-Link parameter setting (P = communication via IO-Link)

colours to DIN EN 60947-5-2

Core colours

- BK = black
- BN = brown
- BU = blue
- WH = white

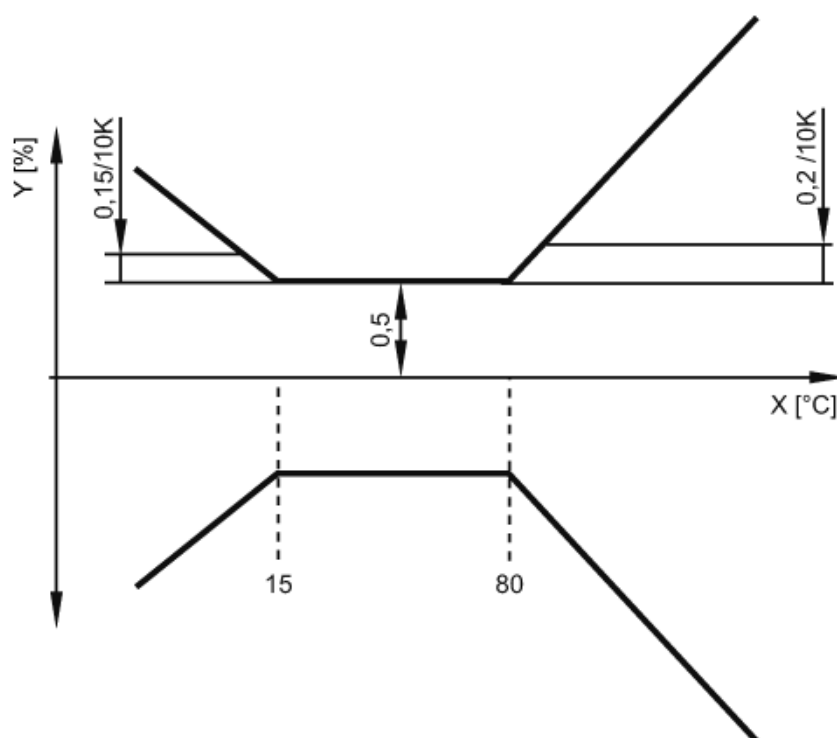
# PI1602



## Flush pressure sensor with display

PI-100-REA01-MFRKG/US/ IP

### Diagrams and graphs



X temperature  
Y total deviation