

# PB4314



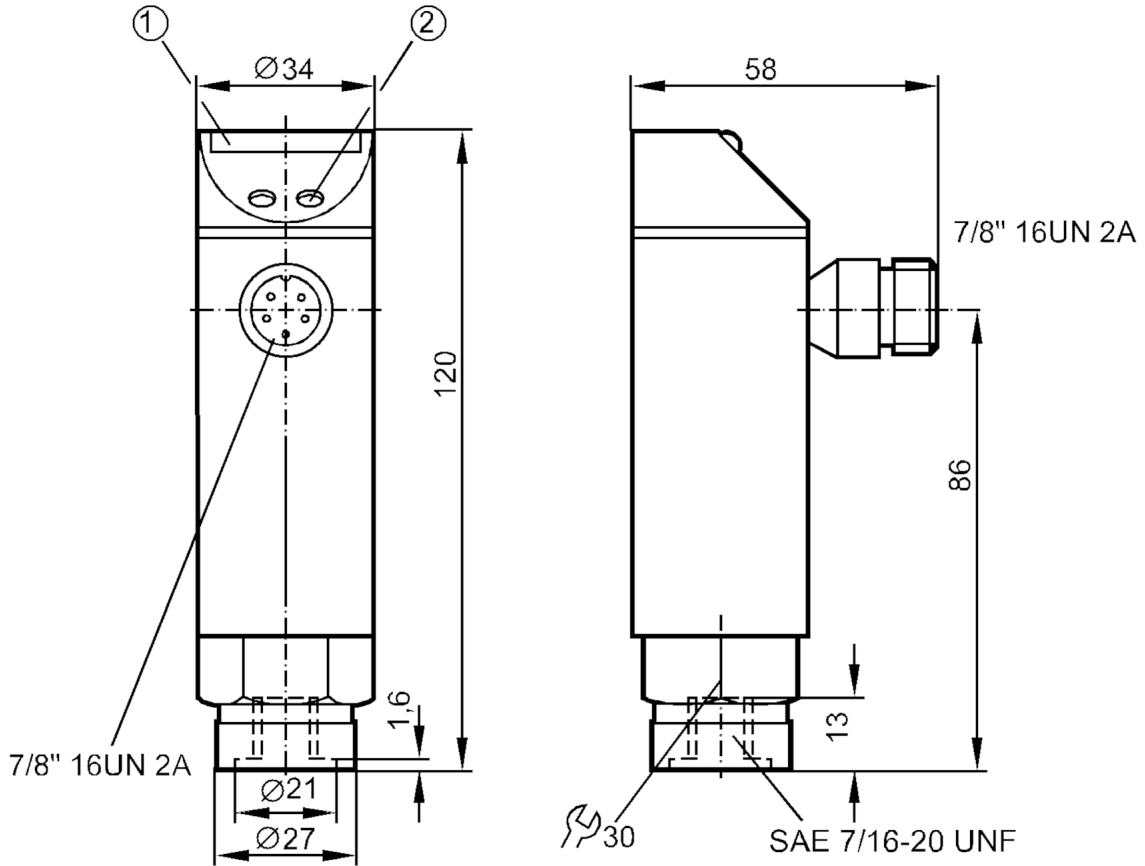
## Pressure sensor with LED bar display

PB-010PRBU76-HFBOWLS/ IV

Article no longer available - archive entry

Alternative articles: PN4224

When selecting an alternative article and accessories please note that technical data may differ!



- 1 LED bar display
- 2 programming button



### Product characteristics

Number of inputs and outputs	Number of digital outputs: 1
Measuring range [psi]	0...100
Process connection	threaded connection 7/16" - 20 UNF internal thread

### Application

Application	for industrial applications
Media	liquids and gases
Medium temperature [°C]	-25...70
Min. bursting pressure [psi]	2000
Pressure rating [psi]	700
Type of pressure	relative pressure

# PB4314



## Pressure sensor with LED bar display

PB-010PRBU76-HFBOW/LS/ IV

Electrical data		
Operating voltage [V]		102...132 AC
Current consumption [mA]		20
Protection class		I
Power-on delay time [s]		0.35
Integrated watchdog		yes
Inputs / outputs		
Number of inputs and outputs		Number of digital outputs: 1
Outputs		
Total number of outputs		1
Output signal		switching signal
Number of digital outputs		1
Output function		normally open
Max. voltage drop switching output AC [V]		2
Permanent current rating of switching output AC [mA]		250; ((...70 °C) 1000 (...60 °C) 1500 (...45 °C) 2500 (...20 °C))
Switching frequency AC [Hz]		10
Short-circuit protection		no
Overload protection		no
Measuring/setting range		
Measuring range [psi]		0...100
Set point SP [psi]		5...100
Reset point rP [psi]		3...98
In steps of [psi]		1
Note on hysteresis		adjustable
Accuracy / deviations		
Switch point accuracy [% of the final value]		< ± 2,0
Repeatability [% of the final value]		< ± 0,25; (with temperature fluctuations < 10 K)
Temperature drift per 10 K		< ± 0.3
Software / programming		
Adjustment of the switch point		programming button
Operating conditions		
Ambient temperature [°C]		-25...70
Storage temperature [°C]		-40...100
Protection		IP 65
Tests / approvals		
EMC	IEC 801/2 ESD	4 kV CD / 8 kV AD
	IEC 801/3 HF	10 V/m
	IEC 801/4 Burst	2 kV
Shock resistance	DIN IEC 68-2-27	50 g (11 ms)
Vibration resistance	DIN IEC 68-2-6	20 g (10...2000 Hz)

# PB4314



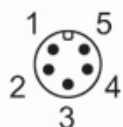
## Pressure sensor with LED bar display

PB-010PRBU76-HFBOWLS/ IV

Mechanical data		
Materials	EPDM/X; FKM; NBR; PBT; PC; stainless steel (1.4301 / 304)	
Materials (wetted parts)	FKM; ceramics; stainless steel (1.4305 / 303)	
Min. pressure cycles	100 million	
Process connection	threaded connection 7/16" - 20 UNF internal thread	
Displays / operating elements		
Display	switching status	LED, yellow
	measured values	10 x LED, green Resolution 10% of the final value
Remarks		
Pack quantity	1 pcs.	

### Electrical connection

Connector: 1 x 7/8"



### Connection

