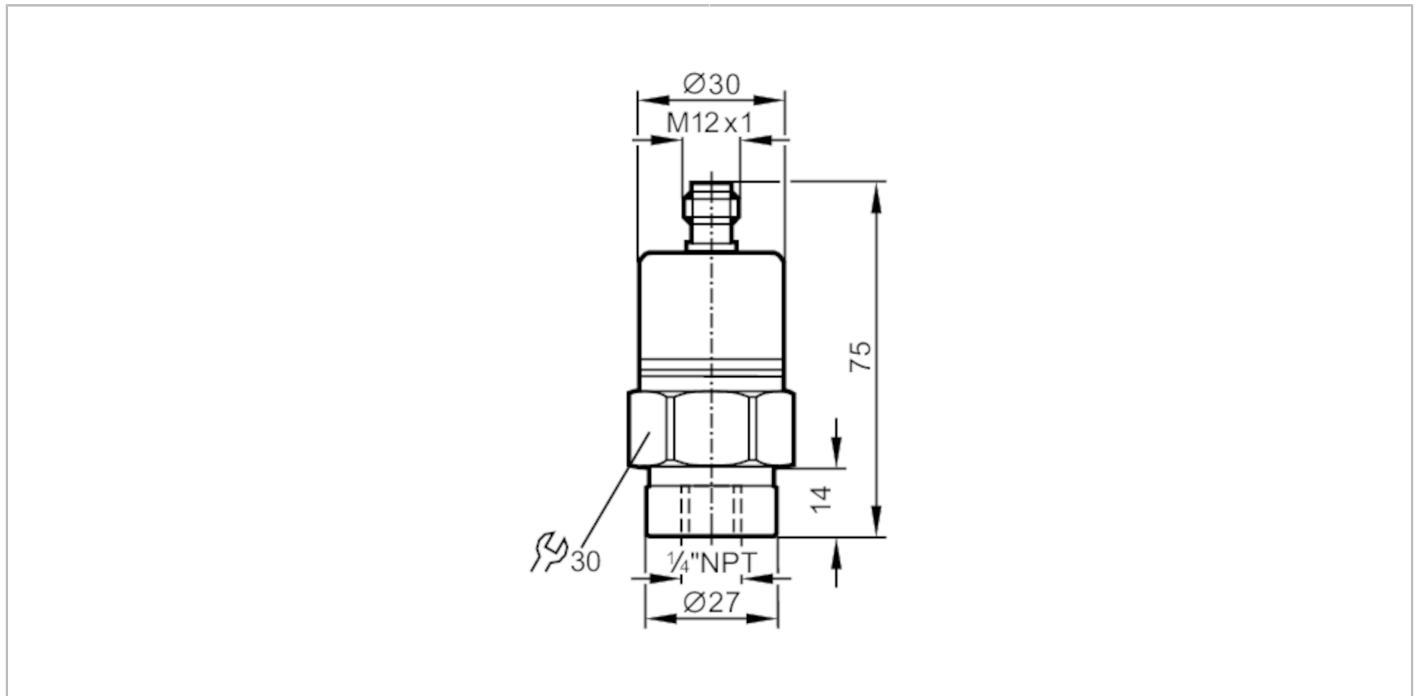


# PA3223



## Pressure transmitter with ceramic measuring cell

PA-025-RBN14-A-ZVG/US/ IV



### Product characteristics

Number of inputs and outputs	Number of analogue outputs: 1		
Measuring range	0...25 bar	0...363 psi	0...2.5 MPa
Process connection	threaded connection 1/4" NPT internal thread		

### Application

Special feature	Gold-plated contacts		
Application	for industrial applications		
Media	liquids and gases		
Medium temperature [°C]	-25...90; (on request: -40...90 °C)		
Min. bursting pressure	350 bar	5075 psi	35 MPa
Pressure rating	150 bar	2175 psi	15 MPa
Type of pressure	relative pressure		

### Electrical data

Operating voltage [V]	9.6...32 DC		
Min. insulation resistance [MΩ]	100; (500 V DC)		
Protection class	III		
Reverse polarity protection	yes		

### Inputs / outputs

Number of inputs and outputs	Number of analogue outputs: 1		
------------------------------	-------------------------------	--	--

### Outputs

Total number of outputs	1		
Output signal	analogue signal		
Number of analogue outputs	1		
Analogue current output [mA]	4...20		

# PA3223



## Pressure transmitter with ceramic measuring cell

PA-025-RBN14-A-ZVG/US/ IV

Max. load	[Ω]	720; (U <sub>b</sub> = 24 V; (U <sub>b</sub> - 9,6 V) / 20 mA)		
Overload protection		yes		
<b>Measuring/setting range</b>				
Measuring range		0...25 bar	0...363 psi	0...2.5 MPa
<b>Accuracy / deviations</b>				
Repeatability	[% of the span]	< 0,1; (with temperature fluctuations < 10 K)		
Characteristics deviation	[% of the span]	< ± 0,25 (BFSL) / < ± 0,5 (LS); (BFSL = Best Fit Straight Line; LS = limit value setting)		
Long-term stability	[% of the span]	< ± 0,05; (per 6 months)		
Temperature coefficient zero point	[% of the span / 10 K]	0,1; (0...80 °C)		
Temperature coefficient span	[% of the span / 10 K]	0,2; (0...80 °C)		
<b>Response times</b>				
Step response time analogue output	[ms]	3		
<b>Operating conditions</b>				
Ambient temperature	[°C]	-25...80		
Storage temperature	[°C]	-40...100		
Protection		IP 65		
<b>Tests / approvals</b>				
EMC	EN 61000-4-2 ESD	4 kV CD / 8 kV AD		
	EN 61000-4-3 HF radiated	30 V/m		
	EN 61000-4-4 Burst	2 kV		
	EN 61000-4-6 HF conducted	10 V		
	radiation of interference	according to the automotive directive 2004/104/EC		
	CISPR 25			
	immunity	according to the automotive directive 2004/104/EC		
	ISO 11452-2 HF radiated	100 V/m		
Shock resistance	ISO 7637-2 pulse	severity level 4		
	DIN EN 60068-2-27	50 g (11 ms)		
Vibration resistance	DIN EN 61373	category 3		
	DIN EN 60068-2-6	20 g (10...2000 Hz)		
	DIN EN 61373	category 2		
MTTF	[years]	506		
Pressure Equipment Directive		Sound engineering practice; can be used for group 2 fluids; group 1 fluids on request		
Railway applications		DIN EN 50155 / IEC 60571	Klasse T3, C1, S1	
<b>Mechanical data</b>				
Weight	[g]	225.5		
Housing		cylindrical		
Dimensions	[mm]	Ø 30 / L = 75		
Materials		stainless steel (316L/1.4404); FKM; PA; EPDM/X		
Materials (wetted parts)		stainless steel (303/1.4305); ceramics; FKM		

# PA3223



## Pressure transmitter with ceramic measuring cell

PA-025-RBN14-A-ZVG/US/ IV

Min. pressure cycles	100 million
Process connection	threaded connection 1/4" NPT internal thread
Restrictor element integrated	no (can be retrofitted)

### Remarks

Pack quantity	1 pcs.
---------------	--------

### Electrical connection

Connector: 1 x M12; coding: A; Contacts: gold-plated



### Connection

