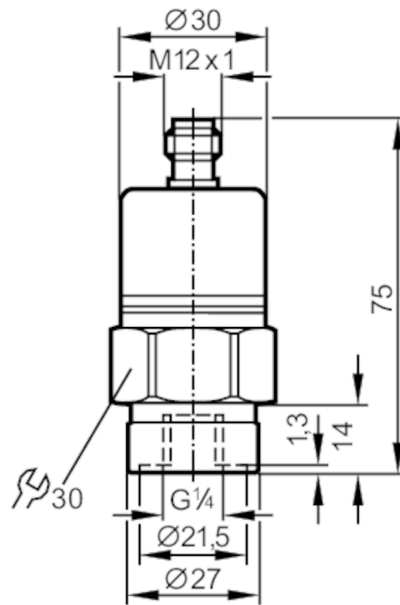


# PA3029



## Pressure transmitter with ceramic measuring cell

PA-0-1-RBR14-A-ZVG/US/ IV



### Product characteristics

Number of inputs and outputs	Number of analogue outputs: 1			
Measuring range	-1...0 bar	-1000...0 mbar	-14.5...0 psi	-100...0 kPa
Process connection	threaded connection G 1/4 internal thread			

### Application

Special feature	Gold-plated contacts		
Application	for industrial applications		
Media	liquids and gases		
Medium temperature [°C]	-25...90; (on request: -40...90 °C)		
Min. burst pressure	30 bar	435 psi	3 MPa
Pressure rating	10 bar	145 psi	1 MPa
Type of pressure	relative pressure; vacuum		

### Electrical data

Operating voltage [V]	9.6...32 DC		
Min. insulation resistance [MΩ]	100; (500 V DC)		
Protection class	III		
Reverse polarity protection	yes		

### Inputs / outputs

Number of inputs and outputs	Number of analogue outputs: 1		
------------------------------	-------------------------------	--	--

### Outputs

Total number of outputs	1		
Output signal	analogue signal		
Number of analogue outputs	1		
Analogue current output [mA]	4...20		

# PA3029



## Pressure transmitter with ceramic measuring cell

PA-0-1-RBR14-A-ZVG/US/ IV

Max. load	[Ω]	720; (U <sub>b</sub> = 24 V; (U <sub>b</sub> - 9,6 V) / 20 mA)			
Overload protection		yes			
<b>Measuring/setting range</b>					
Measuring range		-1...0 bar	-1000...0 mbar	-14.5...0 psi	-100...0 kPa
<b>Accuracy / deviations</b>					
Repeatability	[% of the span]	< 0,1; (with temperature fluctuations < 10 K)			
Characteristics deviation	[% of the span]	< ± 0,25 (BFSL) / < ± 0,5 (LS); (BFSL = Best Fit Straight Line; LS = limit value setting)			
Long-term stability	[% of the span]	< ± 0,05; (per 6 months)			
Temperature coefficient zero point	[% of the span / 10 K]	0,1; (0...80 °C)			
Temperature coefficient span	[% of the span / 10 K]	0,2; (0...80 °C)			
<b>Response times</b>					
Step response time analogue output	[ms]	3			
<b>Operating conditions</b>					
Ambient temperature	[°C]	-25...80			
Storage temperature	[°C]	-40...100			
Protection		IP 65			
<b>Tests / approvals</b>					
EMC	EN 61000-4-2 ESD	4 kV CD / 8 kV AD			
	EN 61000-4-3 HF radiated	30 V/m			
	EN 61000-4-4 Burst	2 kV			
	EN 61000-4-6 HF conducted	10 V			
	radiation of interference	according to the automotive directive 2004/104/EC			
	CISPR 25				
	immunity	according to the automotive directive 2004/104/EC			
	ISO 11452-2 HF radiated	100 V/m			
	ISO 7637-2 pulse	severity level 4			
	Shock resistance	DIN EN 60068-2-27	50 g (11 ms)		
DIN EN 61373		category 3			
Vibration resistance	DIN EN 60068-2-6	20 g (10...2000 Hz)			
	DIN EN 61373	category 2			
MTTF	[years]	506			
Pressure Equipment Directive		Sound engineering practice; can be used for group 2 fluids; group 1 fluids on request			
Railway applications		DIN EN 50155 / IEC 60571	Klasse T3, C1, S1		
<b>Mechanical data</b>					
Weight	[g]	222,5			
Housing		cylindrical			
Dimensions	[mm]	Ø 30 / L = 75			
Materials		stainless steel (316L/1.4404); FKM; PA; EPDM/X			
Materials (wetted parts)		stainless steel (303/1.4305); ceramics; FKM			

# PA3029



## Pressure transmitter with ceramic measuring cell

PA-0-1-RBR14-A-ZVG/US/ IV

Min. pressure cycles	100 million
Process connection	threaded connection G 1/4 internal thread
Restrictor element integrated	no (can be retrofitted)

### Remarks

Pack quantity	1 pcs.
---------------	--------

### Electrical connection

Connector: 1 x M12; coding: A; Contacts: gold-plated



### Connection

