

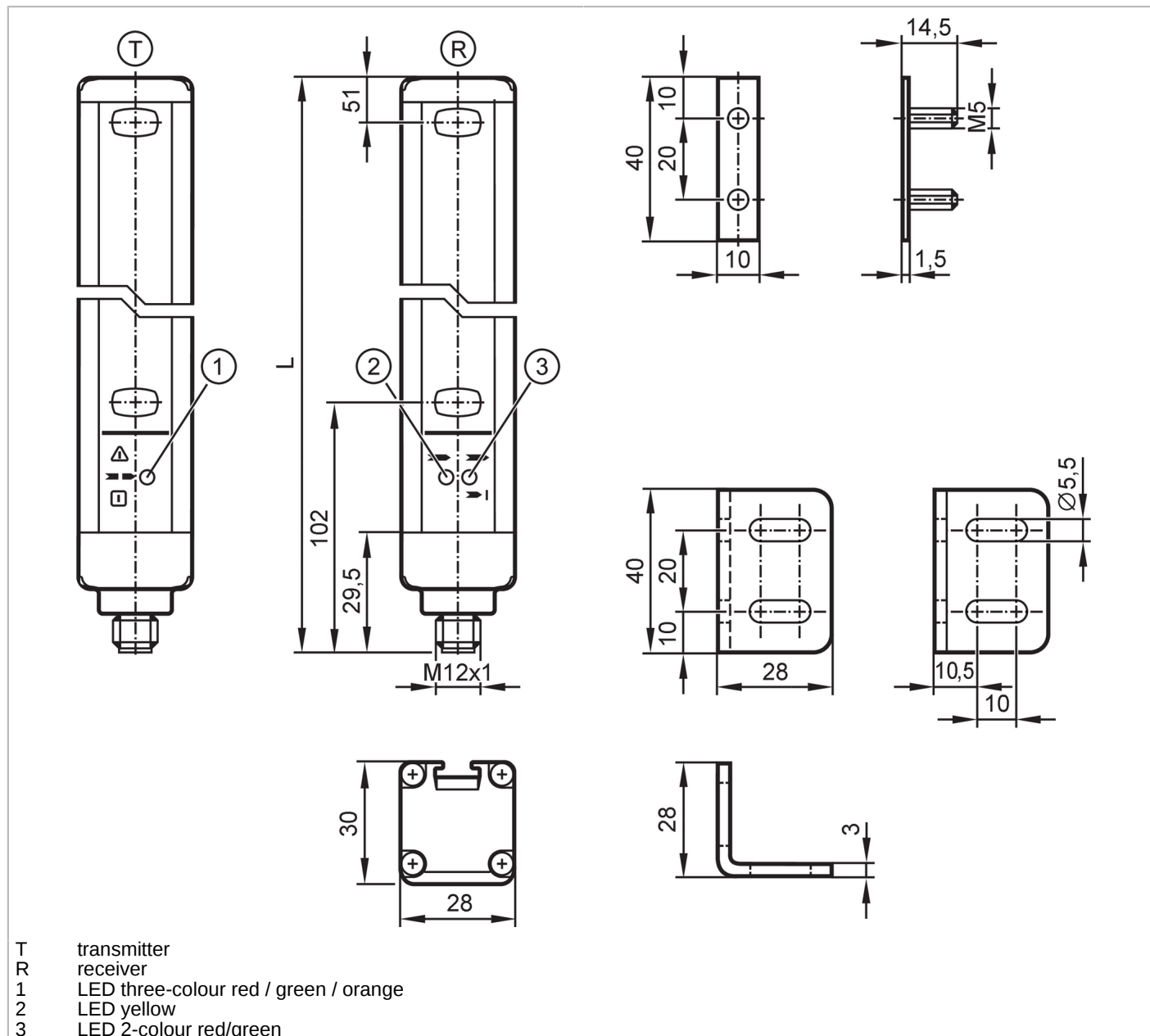
# OY116S



## Safety light grid

OYA0910-04-4-12-P-1

For 8-pole sockets the core colours are not standardised.  
Please note the wiring of the sensor and the sockets (see data sheet).



Product characteristics	
Type of light	infrared light
Electrical design	PNP
Protection	IP 65; IP 67
Application	
Protective function	access prevention body protection
Electrical data	
Operating voltage tolerance [%]	20



## Safety light grid

OYA0910-04-4-12-P-1

Operating voltage	[V]	24 DC
Protection class		III
Reverse polarity protection		yes
Power-on delay time	[s]	< 2
Type of light		infrared light
Wave length	[nm]	950
<b>Receiver</b>		
Current consumption	[mA]	83
<b>Transmitter</b>		
Current consumption	[mA]	42
<b>Outputs</b>		
Electrical design		PNP
Number of OSSD outputs		2
Max. current load per OSSD output	[mA]	400; (24 V)
Short-circuit protection		yes
<b>Detection zone</b>		
Protected area height	[mm]	910
Number of beams		4
Protection area width (low light intensity)	[m]	0...4
Protection area width (high light intensity)	[m]	3...12
<b>Response times</b>		
Response time	[ms]	3
<b>Operating conditions</b>		
Applications		class C to EN 60654-1 sheltered locations
Ambient temperature	[°C]	-10...55
Storage temperature	[°C]	-20...70
Max. relative air humidity	[%]	95
Protection		IP 65; IP 67
<b>Tests / approvals</b>		
EMC	IEC 61496-1	
Shock resistance	IEC 61496-1	
Vibration resistance	IEC 61496-1	
<b>Safety classification</b>		
ESPE type (IEC 61496-1)		4
Complies with the requirements		ISO 13849-1: 2015 category 4, PL e IEC 61508 SIL 3 IEC 62061 SIL 3
Mission time TM	[h]	175200
PFH	[1/h]	8,2E-09
<b>Mechanical data</b>		
Weight	[g]	3465

# OY116S



## Safety light grid

OYA0910-04-4-12-P-1

Dimensions	[mm]	1053 x 28 x 30
Materials		housing: aluminium; front pane: PC
Length L	[mm]	1053

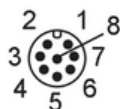
Displays / operating elements	
Display	LED, yellow
	LED, green
	LED, red

Accessories	
Items supplied	mounting bracket: 4
	slot nuts: 4
	Nuts

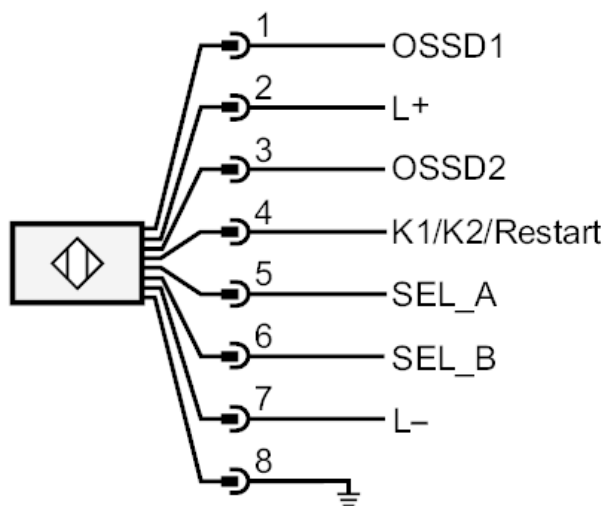
Remarks	
Pack quantity	1 pcs.

### Electrical connection - receiver

Connector: 1 x M12; coding: A; Maximum cable length: 100 m; for wire cross-section 0.34 mm<sup>2</sup>

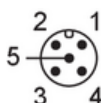


### Connection



### Electrical connection - transmitter

Connector: 1 x M12; coding: A



# OY116S



## Safety light grid

OYA0910-04-4-12-P-1

### Connection

