

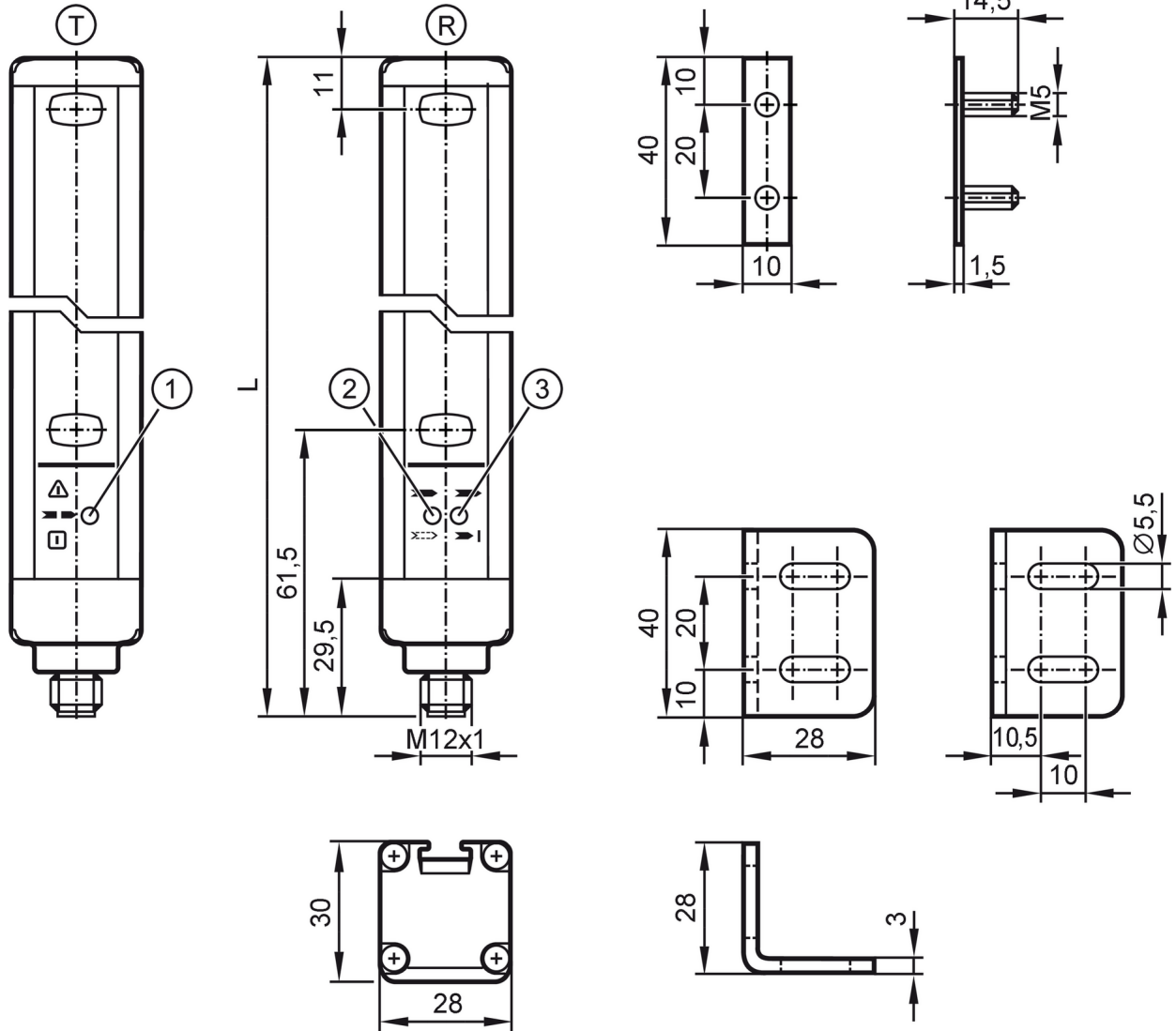
OY009S



Safety light curtain

OYA1360-14-4-06-P-1

For 8-pole sockets the core colours are not standardised.
Please note the wiring of the sensor and the sockets (see data sheet).



- T transmitter
- R receiver
- 1 LED three-colour red / green / orange
- 2 LED 2-colour yellow/blue
- 3 LED 2-colour red/green



Product characteristics

Type of light	infrared light
Electrical design	PNP
Protection	IP 65; IP 67

Application

Protective function	access prevention finger protection
---------------------	-------------------------------------

Electrical data

Operating voltage tolerance [%]	20
---------------------------------	----



Safety light curtain

OYA1360-14-4-06-P-1

Operating voltage	[V]	24 DC
Protection class		III
Reverse polarity protection		yes
Power-on delay time	[s]	< 2
Type of light		infrared light
Wave length	[nm]	950
Receiver		
Current consumption	[mA]	83
Transmitter		
Current consumption	[mA]	42
Outputs		
Electrical design		PNP
Number of OSSD outputs		2
Max. current load per OSSD output	[mA]	400; (24 V)
Short-circuit protection		yes
Detection zone		
Protected area height	[mm]	1360
Resolution (detection capacity d)	[mm]	14
Protection area width (low light intensity)	[m]	0...3
Protection area width (high light intensity)	[m]	1...6
Response times		
Response time	[ms]	18
Operating conditions		
Applications		class C to EN 60654-1 sheltered locations
Ambient temperature	[°C]	-10...55
Max. relative air humidity	[%]	95
Protection		IP 65; IP 67
Tests / approvals		
EMC	IEC 61496-1	
Shock resistance	IEC 61496-1	
Vibration resistance	IEC 61496-1	
Safety classification		
ESPE type (IEC 61496-1)		4
Complies with the requirements		ISO 13849-1: 2015 category 4, PL e IEC 61508 SIL 3 IEC 62061 SIL 3
Mission time TM	[h]	175200
PFH	[1/h]	3,0E-08
Mechanical data		
Weight	[g]	4570
Dimensions	[mm]	1413 x 28 x 30

OY009S



Safety light curtain

OYA1360-14-4-06-P-1

Materials	housing: aluminium; front pane: PC
Length L [mm]	1413

Displays / operating elements

Display	LED, yellow
	LED, green
	LED, red
	LED, blue
	LED, orange

Accessories

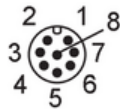
Items supplied	mounting bracket: 6
	slot nuts: 6
	Nuts

Remarks

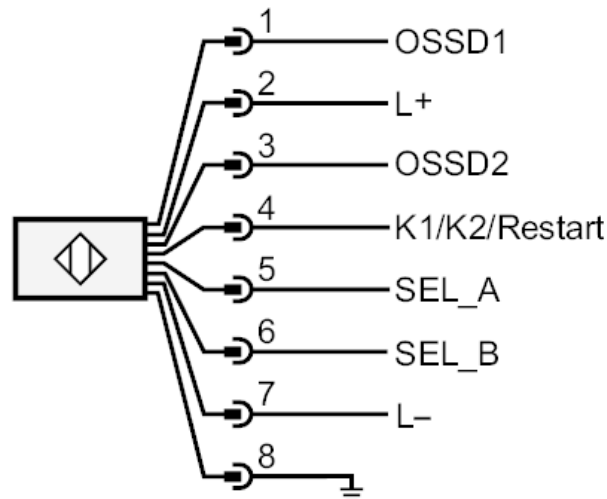
Pack quantity	1 pcs.
---------------	--------

Electrical connection - receiver

Connector: 1 x M12; coding: A; Maximum cable length: 100 m; for wire cross-section 0.34 mm²

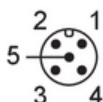


Connection



Electrical connection - transmitter

Connector: 1 x M12; coding: A



OY009S



Safety light curtain

OYA1360-14-4-06-P-1

Connection

