

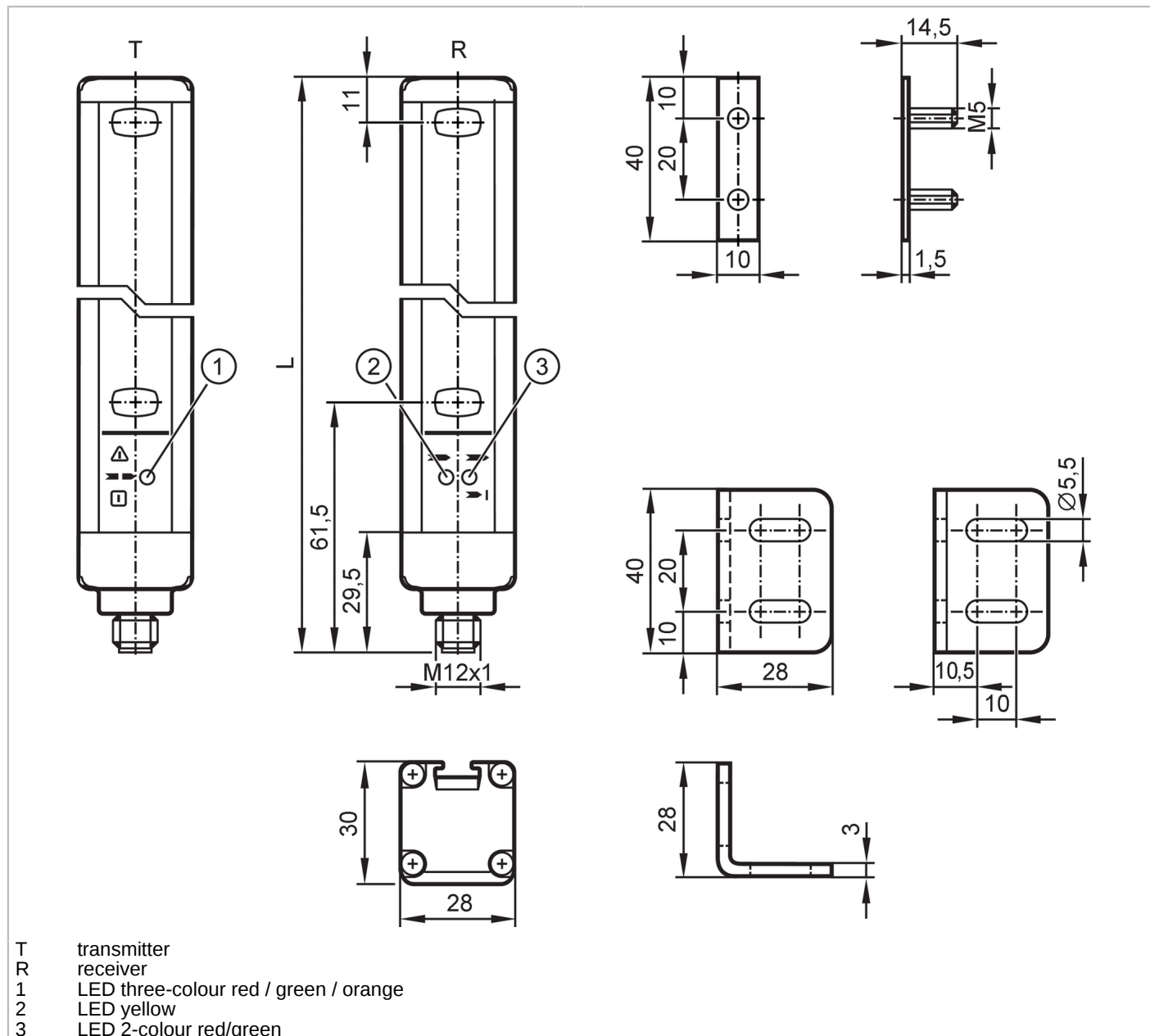
# OY047S



## Safety light curtain

OYA1060-30-4-12-P-1

For 8-pole sockets the core colours are not standardised.  
Please note the wiring of the sensor and the sockets (see data sheet).



### Product characteristics

|                   |                |
|-------------------|----------------|
| Type of light     | infrared light |
| Electrical design | PNP            |
| Protection        | IP 65; IP 67   |

### Application

|                     |                                   |
|---------------------|-----------------------------------|
| Protective function | access prevention hand protection |
|---------------------|-----------------------------------|

### Electrical data

|                             |     |    |
|-----------------------------|-----|----|
| Operating voltage tolerance | [%] | 20 |
|-----------------------------|-----|----|



## Safety light curtain

OYA1060-30-4-12-P-1

|  |             |   |
|--|-------------|---|
| Operating voltage                            | [V]         | 24 DC                                     |
| Protection class                             |             | III                                       |
| Reverse polarity protection                  |             | yes                                       |
| Power-on delay time                          | [s]         | < 2                                       |
| Type of light                                |             | infrared light                            |
| Wave length                                  | [nm]        | 950                                       |
| <b>Receiver</b>                              |             |   |
| Current consumption                          | [mA]        | 83  |
| <b>Transmitter</b>                           |             |   |
| Current consumption                          | [mA]        | 42  |
| <b>Outputs</b>                               |             |   |
| Electrical design                            |             | PNP                                       |
| Number of OSSD outputs                       |             | 2   |
| Max. current load per OSSD output            | [mA]        | 400; (24 V)                               |
| Short-circuit protection                     |             | yes                                       |
| <b>Detection zone</b>                        |             |   |
| Protected area height                        | [mm]        | 1060                                      |
| Resolution (detection capacity d)            | [mm]        | 30  |
| Protection area width (low light intensity)  | [m]         | 0...4                                     |
| Protection area width (high light intensity) | [m]         | 3...12                                    |
| <b>Response times</b>                        |             |   |
| Response time                                | [ms]        | 14  |
| <b>Operating conditions</b>                  |             |   |
| Applications                                 |             | class C to EN 60654-1 sheltered locations |
| Ambient temperature                          | [°C]        | -10...55                                  |
| Storage temperature                          | [°C]        | -20...70                                  |
| Max. relative air humidity                   | [%]         | 95  |
| Protection                                   |             | IP 65; IP 67                              |
| <b>Tests / approvals</b>                     |             |   |
| EMC  | IEC 61496-1 |   |
| Shock resistance                             | IEC 61496-1 |   |
| Vibration resistance                         | IEC 61496-1 |   |
| <b>Safety classification</b>                 |             |   |
| ESPE type (IEC 61496-1)                      |             | 4   |
| Complies with the requirements               |             | ISO 13849-1: 2015 category 4, PL e        |
|  |             | IEC 61508 SIL 3                           |
|  |             | IEC 62061 SIL 3                           |
| Mission time TM                              | [h]         | 175200                                    |
| PFH  | [1/h]       | 1,4E-08                                   |
| <b>Mechanical data</b>                       |             |   |
| Weight                                       | [g]         | 3800                                      |

# OY047S



## Safety light curtain

OYA1060-30-4-12-P-1

|            |      |                                    |
|------------|------|------------------------------------|
| Dimensions | [mm] | 1113 x 28 x 30                     |
| Materials  |      | housing: aluminium; front pane: PC |
| Length L   | [mm] | 1113                               |

### Displays / operating elements

|         |             |         |
|---------|-------------|---------|
| Display | transmitter | 1 x LED |
|         | receiver    | 2 x LED |

### Accessories

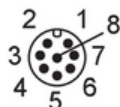
|                |                     |
|----------------|---------------------|
| Items supplied | mounting bracket: 4 |
|                | slot nuts: 4        |
|                | Nuts                |

### Remarks

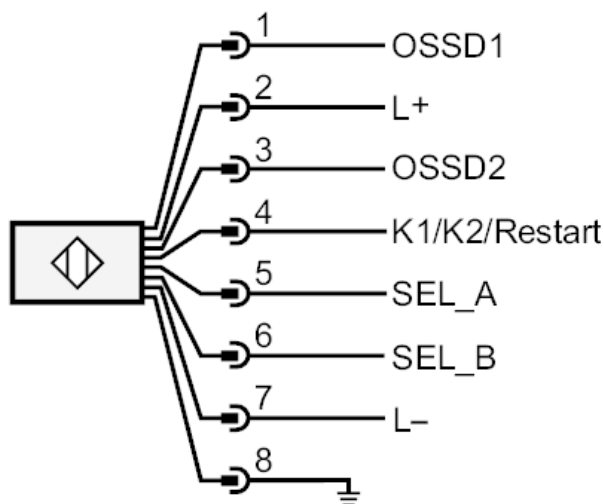
|               |        |
|---------------|--------|
| Pack quantity | 1 pcs. |
|---------------|--------|

### Electrical connection - receiver

Connector: 1 x M12; coding: A; Maximum cable length: 100 m; for wire cross-section 0.34 mm<sup>2</sup>

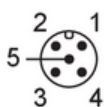


### Connection



### Electrical connection - transmitter

Connector: 1 x M12; coding: A



# OY047S



## Safety light curtain

OYA1060-30-4-12-P-1

### Connection

