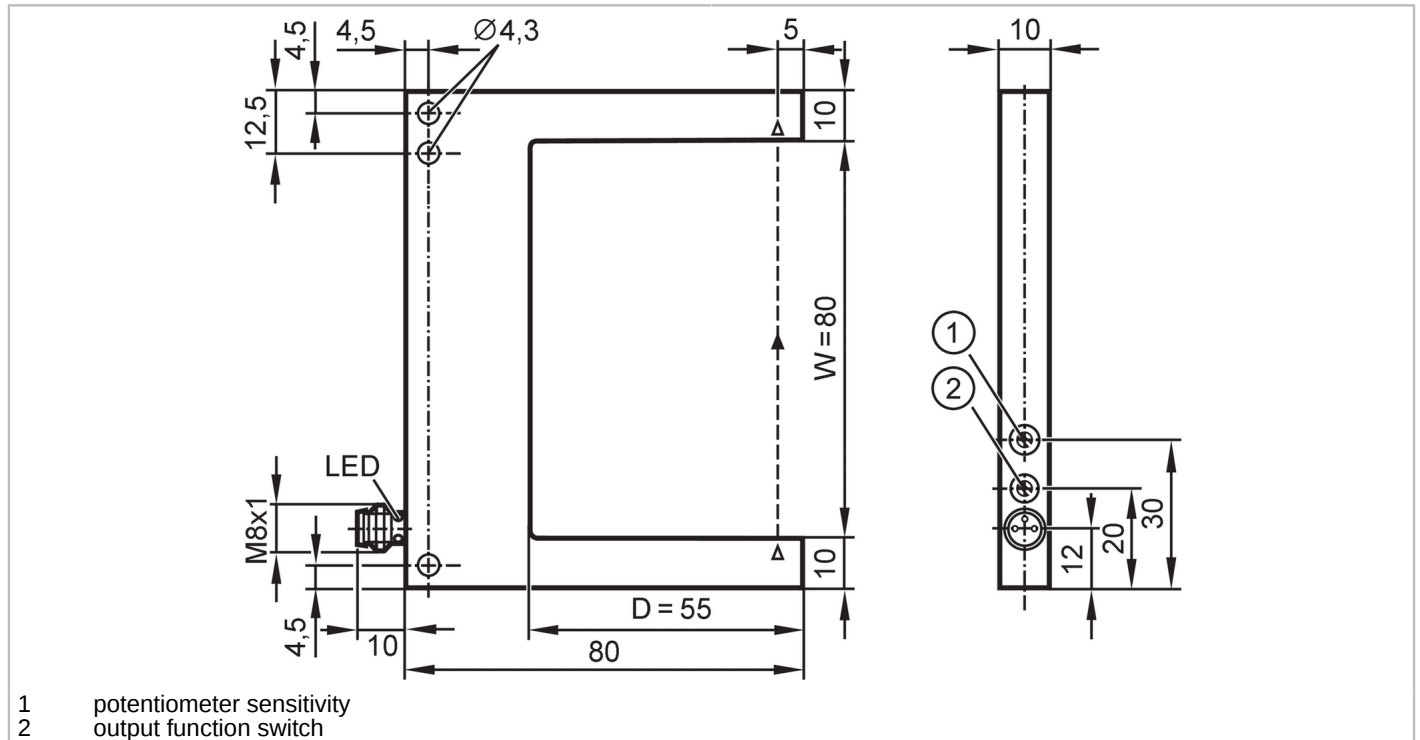


# OPU204



## Photoelectric fork sensor

OPU-FCKG/IO-LINK/AS




Product characteristics	
Type of light	red light
Electrical data	
Operating voltage [V]	10...30 DC; ("supply class 2" to cULus)
Current consumption [mA]	< 30
Protection class	III
Reverse polarity protection	yes
Type of light	red light
Wave length [nm]	660
Outputs	
Electrical design	PNP
Output function	light-on/dark-on mode; (selectable)
Max. voltage drop switching output DC [V]	1
Permanent current rating of switching output DC [mA]	100
Switching frequency DC [Hz]	5000
Short-circuit protection	yes
Type of short-circuit protection	pulsed
Overload protection	yes
Detection zone	
Diameter of the smallest detectable object [mm]	0.3

# OPU204



## Photoelectric fork sensor

OPU-FCKG/IO-LINK/AS

Interfaces		
Communication interface	IO-Link	
Transmission type	COM2 (38,4 kBaud)	
IO-Link revision	1.1	
SDCI standard	IEC 61131-9	
Profiles	Smart Sensor - SSP 0	Generic Profiled Sensor
	Function	Device identification
	Function	Multiple switching signal
	Function	Process data variable
	Function	Device diagnosis
	Function	Teach channel
SIO mode	yes	
Required master port type	A	
Min. process cycle time [ms]	3.2	
Supported DeviceIDs	<b>Type of operation</b>	<b>DeviceID</b>
	default	978
Operating conditions		
Ambient temperature [°C]	-25...60	
Protection	IP 67	
Tests / approvals		
EMC	EN 60947-5-2	
MTTF [years]	709	
Mechanical data		
Weight [g]	170.5	
Dimensions [mm]	100 x 10 x 80	
Fork depth D [mm]	55	
Fork width W [mm]	80	
Materials	housing: diecast zinc black anodised; lens: glass	
Displays / operating elements		
Display	switching status	1 x LED, yellow
Remarks		
Remarks	operating voltage "supply class 2" according to cULus	
Pack quantity	1 pcs.	
Electrical connection		
Connector: 1 x M8; coding: A; Contacts: 3		
		

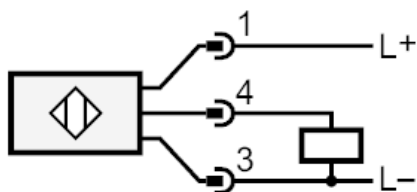
# OPU204



## Photoelectric fork sensor

OPU-FCKG/IO-LINK/AS

### Connection



4 OUT / IO-Link

### Other data

#### operating mode adjustable via IO-Link

	standard	High Resolution	Power	Speed
Resolution	0.3 mm	0.2 mm	1.0 mm	0.3 mm
Repeatability	0.02 mm	0.02 mm	0.02 mm	0.02 mm
Switching frequency	5000 Hz	1500 Hz	250 Hz	8000 Hz
Repeatability	3 $\sigma$			