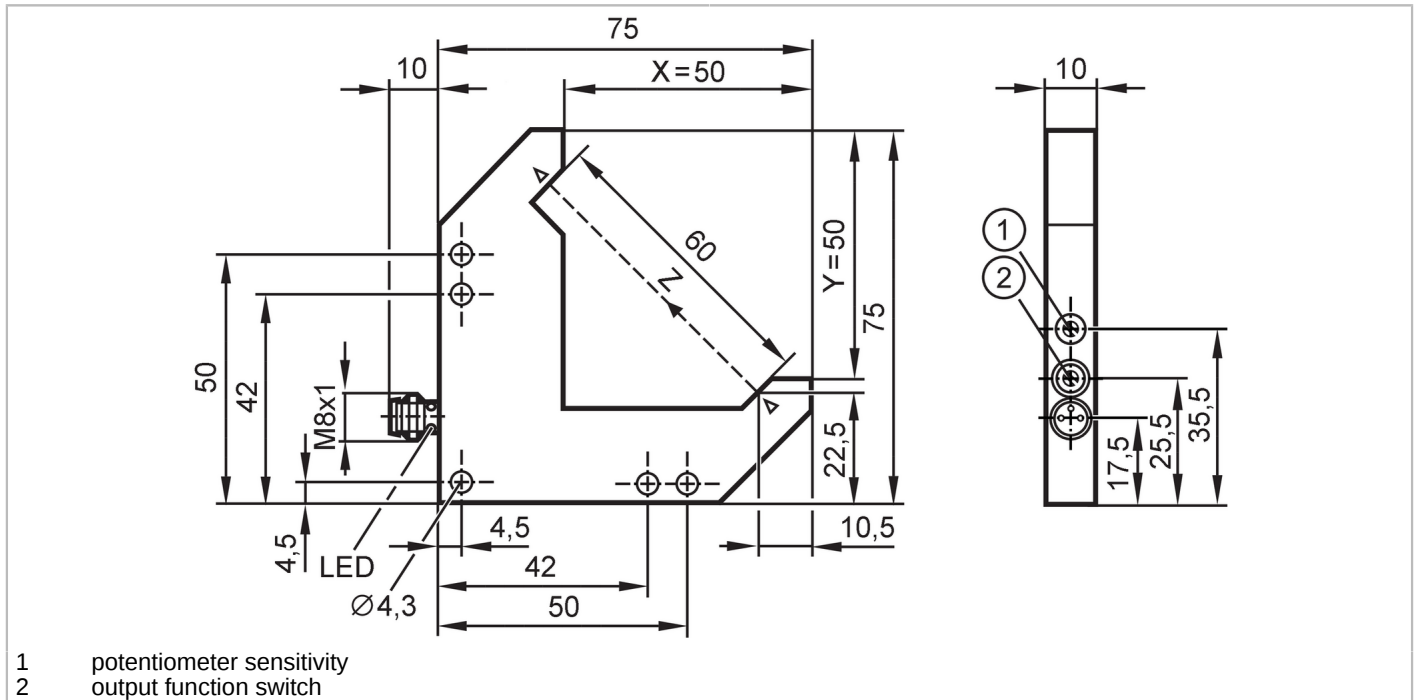


OPL200



Photoelectric angle sensor

OPL-FCKG/IO-LINK/AS



Product characteristics	
Type of light	red light
Electrical data	
Operating voltage [V]	10...30 DC; ("supply class 2" to cULus)
Current consumption [mA]	< 30
Protection class	III
Reverse polarity protection	yes
Type of light	red light
Wave length [nm]	660
Outputs	
Electrical design	PNP
Output function	light-on/dark-on mode; (selectable)
Max. voltage drop switching output DC [V]	1
Permanent current rating of switching output DC [mA]	100
Switching frequency DC [Hz]	5000
Short-circuit protection	yes
Type of short-circuit protection	pulsed
Overload protection	yes
Detection zone	
Diameter of the smallest detectable object [mm]	0.3
Interfaces	
Communication interface	IO-Link

OPL200



Photoelectric angle sensor

OPL-FCKG/IO-LINK/AS

Transmission type	COM2 (38,4 kBaud)	
IO-Link revision	1.1	
SDCI standard	IEC 61131-9	
Profiles	Smart Sensor - SSP 0	Generic Profiled Sensor
	Function	Device identification
	Function	Multiple switching signal
	Function	Process data variable
	Function	Device diagnosis
	Function	Teach channel
SIO mode	yes	
Required master port type	A	
Min. process cycle time [ms]	3.2	
Supported DeviceIDs	Type of operation	DeviceID
	default	978

Operating conditions		
Ambient temperature [°C]	-25...60	
Protection	IP 67	

Tests / approvals		
EMC	EN 60947-5-2	
MTTF [years]	709	

Mechanical data		
Weight [g]	114.5	
Dimensions [mm]	75 x 10 x 75	
Side length X [mm]	50	
Side length Y [mm]	50	
Sensor width Z [mm]	60	
Materials	housing: diecast zinc black anodised; lens: glass	

Displays / operating elements		
Display	switching status	1 x LED, yellow

Remarks		
Remarks	operating voltage "supply class 2" according to cULus	
Pack quantity	1 pcs.	

Electrical connection

Connector: 1 x M8; coding: A



OPL200



Photoelectric angle sensor

OPL-FCKG/IO-LINK/AS

Connection



4: OUT / IO-Link

Other data

operating mode adjustable via IO-Link

	standard	High Resolution	Power	Speed
Resolution	0.3 mm	0.2 mm	1.0 mm	0.3 mm
Repeatability	0.02 mm	0.02 mm	0.02 mm	0.02 mm
Switching frequency	5000 Hz	1500 Hz	250 Hz	8000 Hz
Repeatability	3 σ			