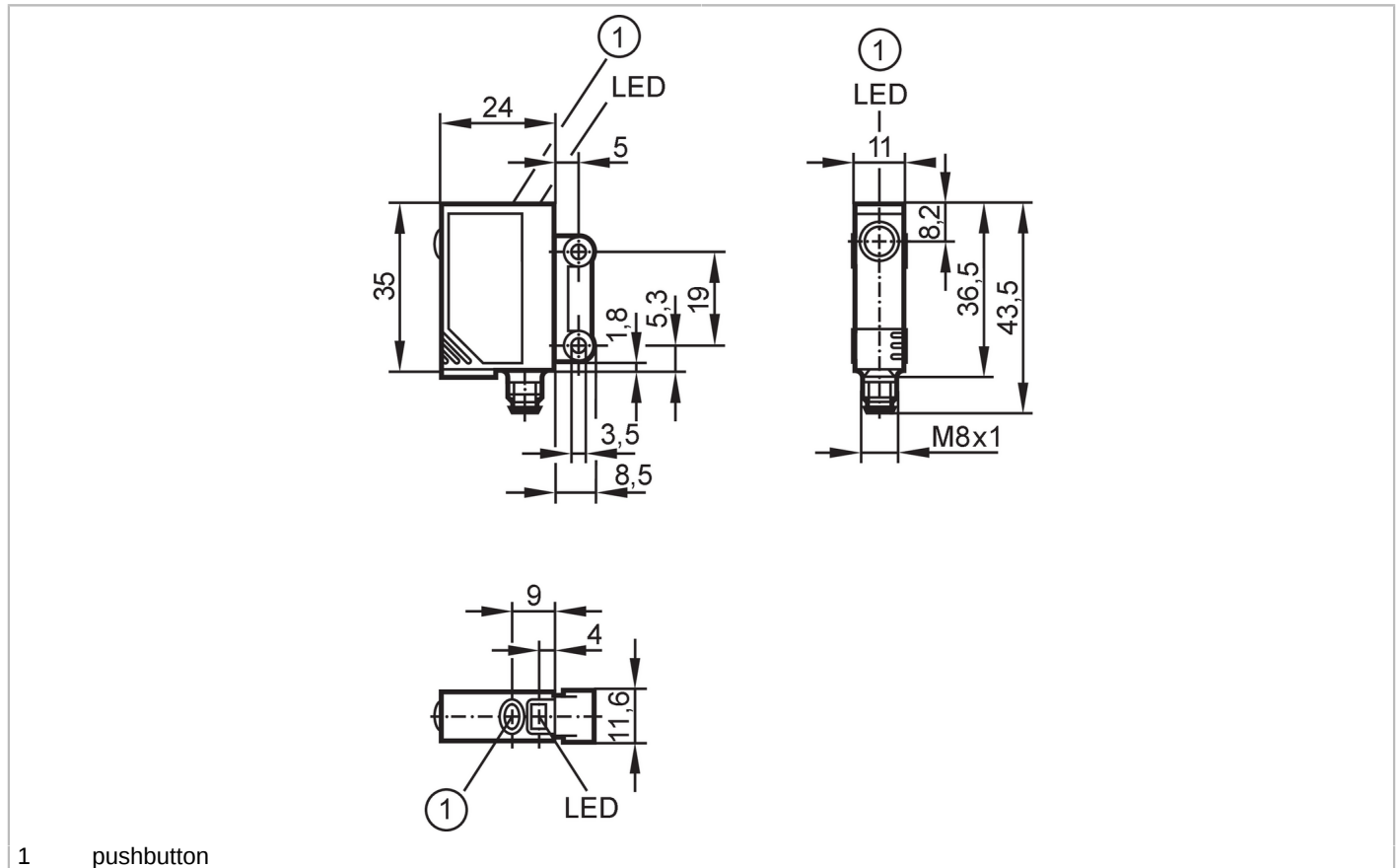




## Retro-reflective laser sensor

OJPLFPKG/SO/AS



Product characteristics	
Type of light	red light
Laser protection class	1
Housing	rectangular
Application	
Special feature	polarisation filter
Function principle	Retro-reflective sensor
Application	For applications in robotics, assembly and handling technology
Electrical data	
Operating voltage [V]	10...30 DC
Current consumption [mA]	< 15
Protection class	III
Reverse polarity protection	yes
Type of light	red light
Wave length [nm]	650
Typ. lifetime [h]	50000
Outputs	
Electrical design	PNP
Output function	light-on/dark-on mode; (programmable)



## Retro-reflective laser sensor

OJPLFPKG/SO/AS

Max. voltage drop switching output DC	[V]	2.5
Permanent current rating of switching output DC	[mA]	200
Switching frequency DC	[Hz]	2000
Short-circuit protection		yes
Type of short-circuit protection		pulsed
Overload protection		yes

Detection zone		
Range referred to prismatic reflector	[m]	8; (Prismatic reflector 50 x 50 mm E20722)
Range adjustable		yes
Diameter of the smallest detectable object	[mm]	2.5; (0,1 m; 2,5 m: 4; 5 m: 8)
Max. light spot diameter	[mm]	12
Light spot dimensions refer to		at maximum range
Polarisation filter available		yes

Operating conditions		
Ambient temperature	[°C]	-10...60
Protection		IP 67

Tests / approvals		
EMC		EN 60947-5-2
Laser protection class		1
Notes on laser protection	Caution:	laser light
	laser class:	1
		EN / IEC60825-1:2007
		EN / IEC60825-1:2014
		Complies with 21 CFR 1040.10 except for conformance with IEC 60825-1 Ed. 3, as described in Laser Notice No. 56, dated May 8, 2019.
MTTF	[years]	697

Mechanical data		
Weight	[g]	28.1
Housing		rectangular
Dimensions	[mm]	35 x 11 x 24
Materials		housing: ABS; LED window: SEPS; pushbutton: SEPS
Lens material		front pane:glass
Lens alignment		side lens

Displays / operating elements		
Display	switching status	1 x LED, yellow
	operation	1 x LED, green
	function	1 x LED, red
Electronic lock		yes

# OJ5136



## Retro-reflective laser sensor

OJPLFPKG/SO/AS

Accessories	
Items supplied	screws: 2
	spring washers: 2
	Nuts: 2

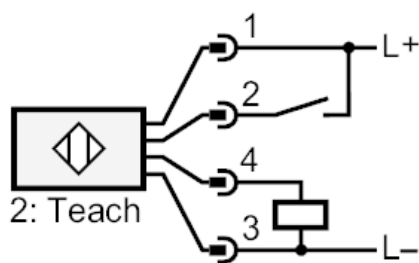
Remarks	
Remarks	operating voltage "supply class 2" according to cULus
Pack quantity	1 pcs.

### Electrical connection

Connector: 1 x M8; coding: A; Contacts: 4



### Connection



2 Teach

### Diagrams and graphs

excess gain graph

